

# 1041

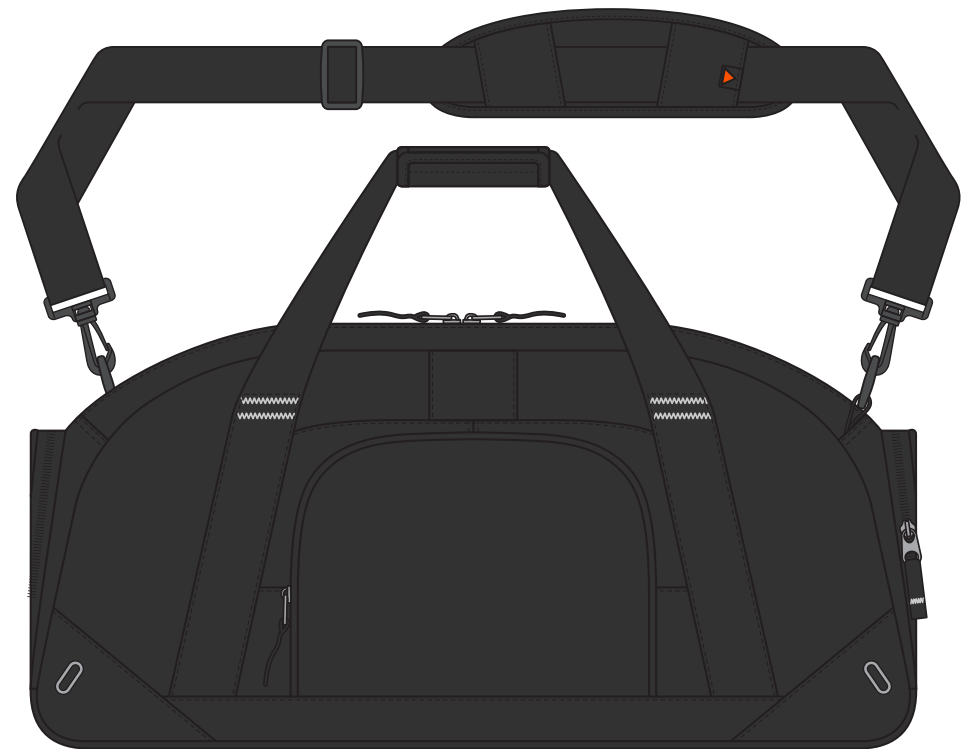
COLOURWAYS



SIDE



BACK

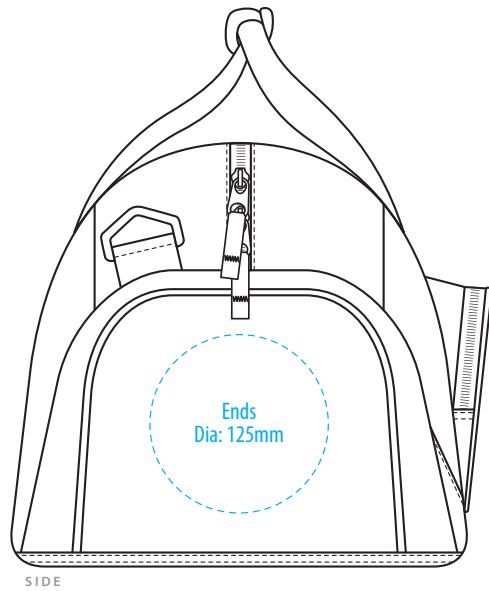


FRONT

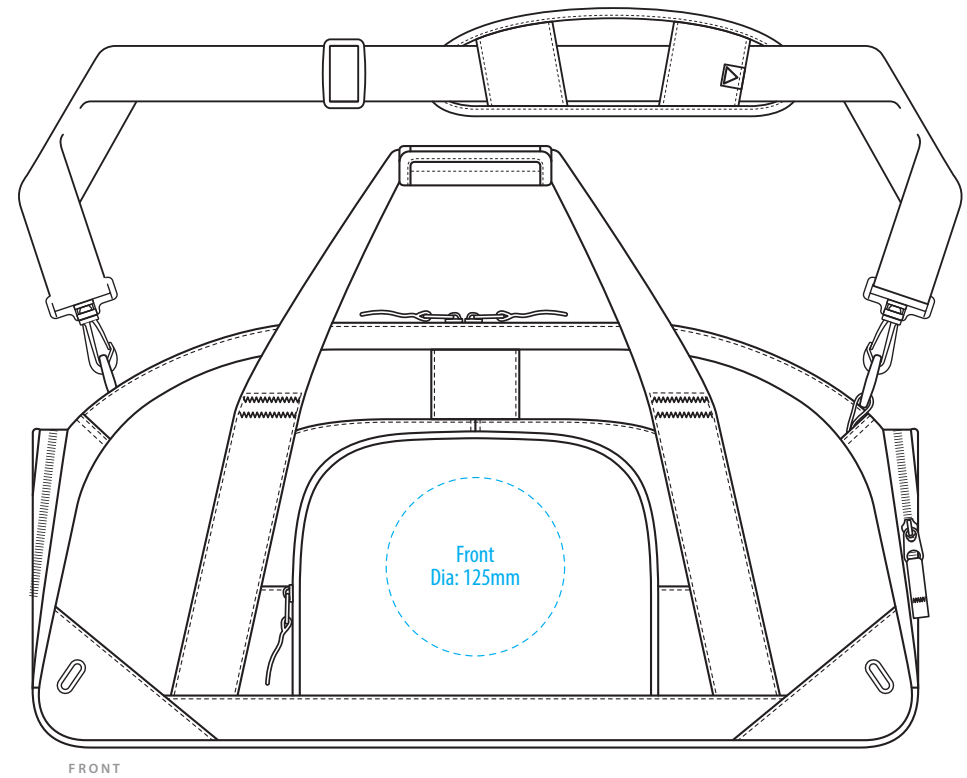
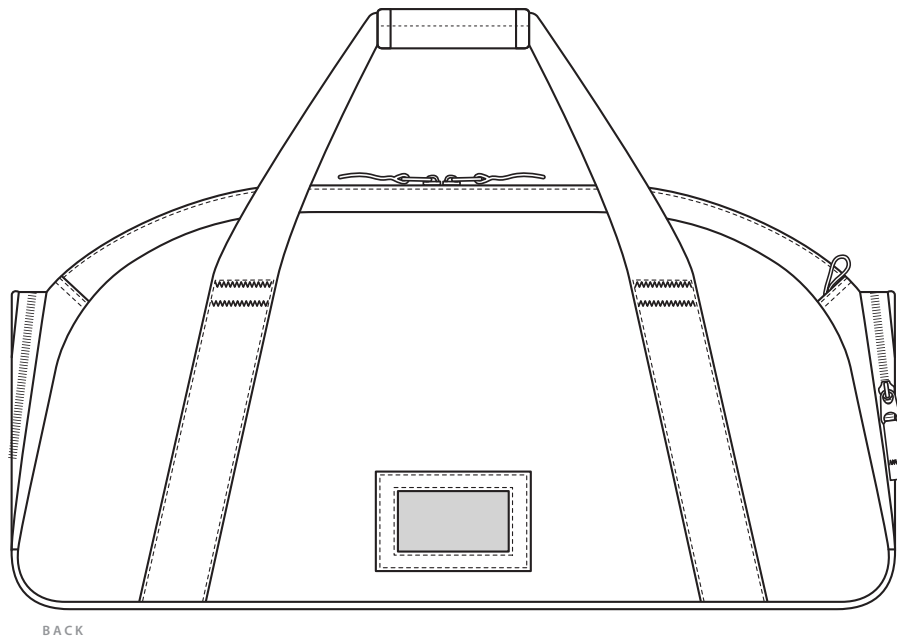
COLOUR

## 1041 Motion Duffle

1041

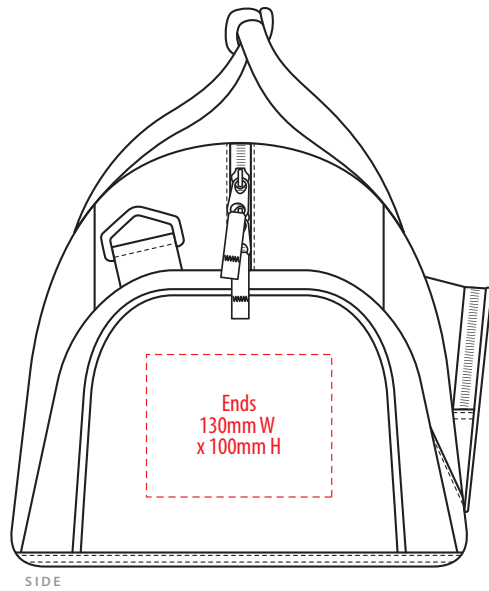


**NOTE:**  
The maximum decoration area is a guide only and is greatly dependant on the logo shape.



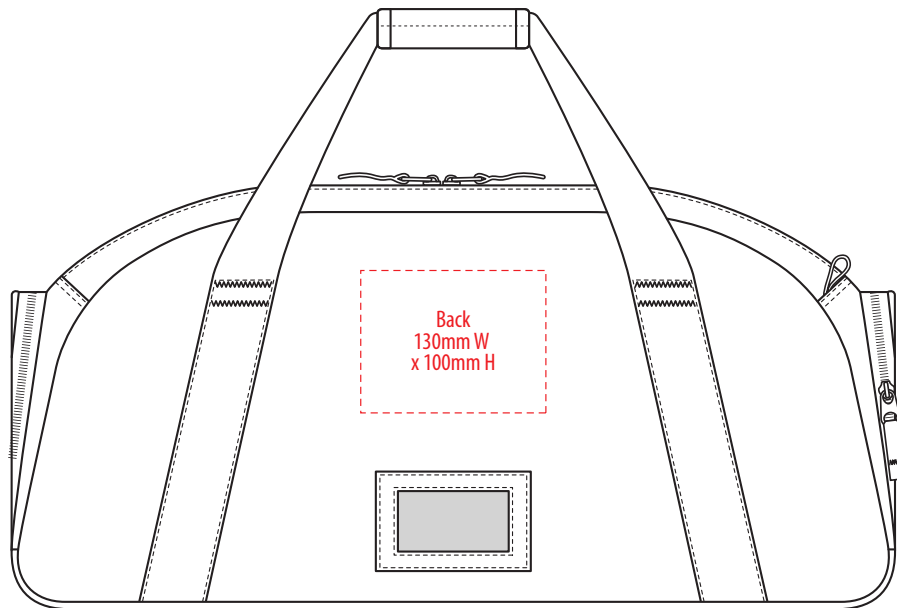
-----  
EMBROIDERY / SUPASUB / SUPAETCH / SUPAFLEX

1041

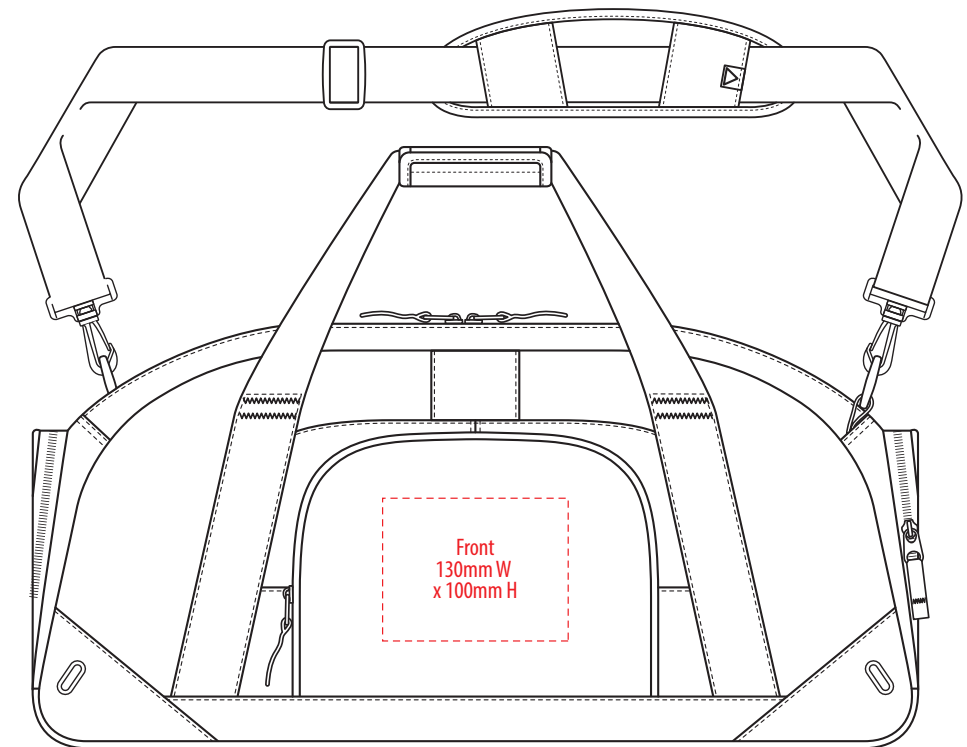


SIDE

**NOTE:**  
The maximum decoration area is a guide only and is greatly dependant on the logo shape.



BACK



FRONT

-----  
SUPACOLOUR / PRINT

1041

# FABRIC SWATCH

**BLACK**



**BLACK**

---

Pantone colours are provided as a reference only and are based on closest match. Actual product colour may differ. If a precise colour match is required we recommend ordering a sample.