

1174

COLOURWAYS



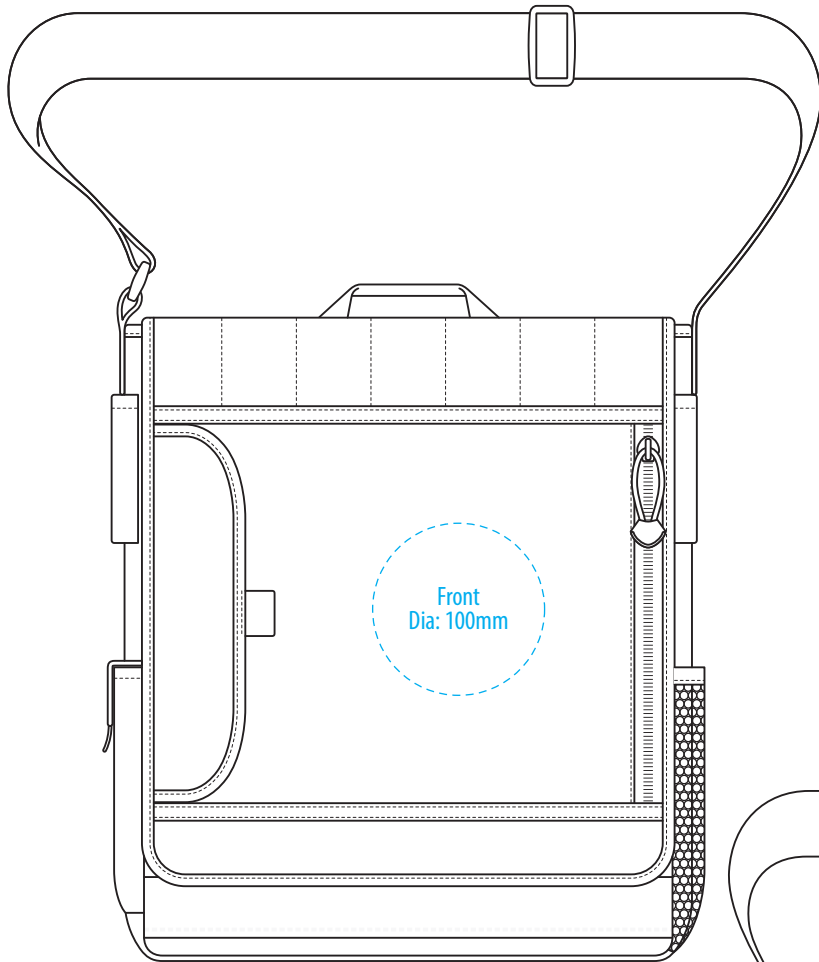
FRONT



BACK

COLOUR

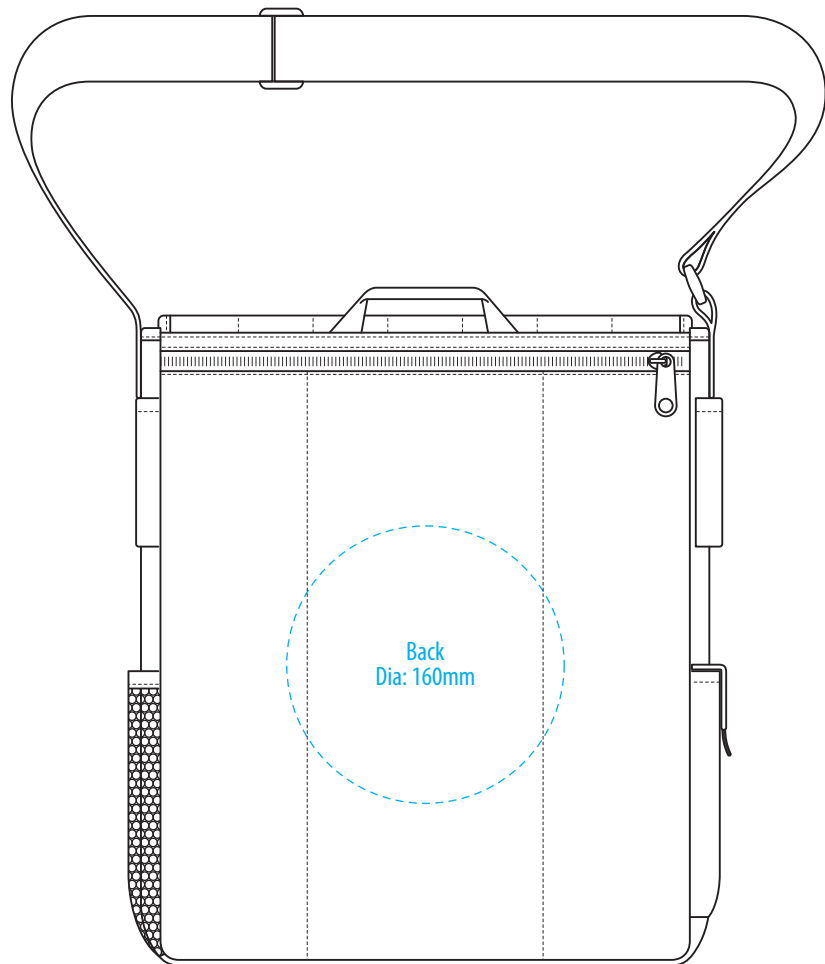
1174



FRONT

NOTE:

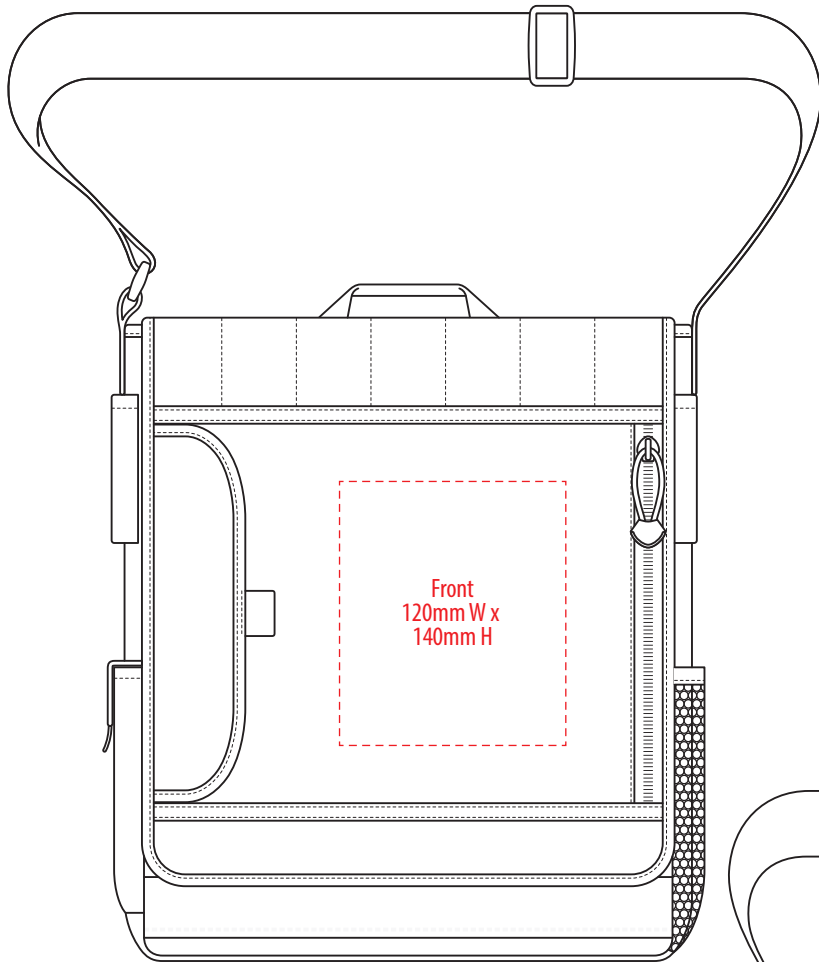
The maximum decoration area is a guide only and is greatly dependant on the logo shape.



BACK

EMBROIDERY

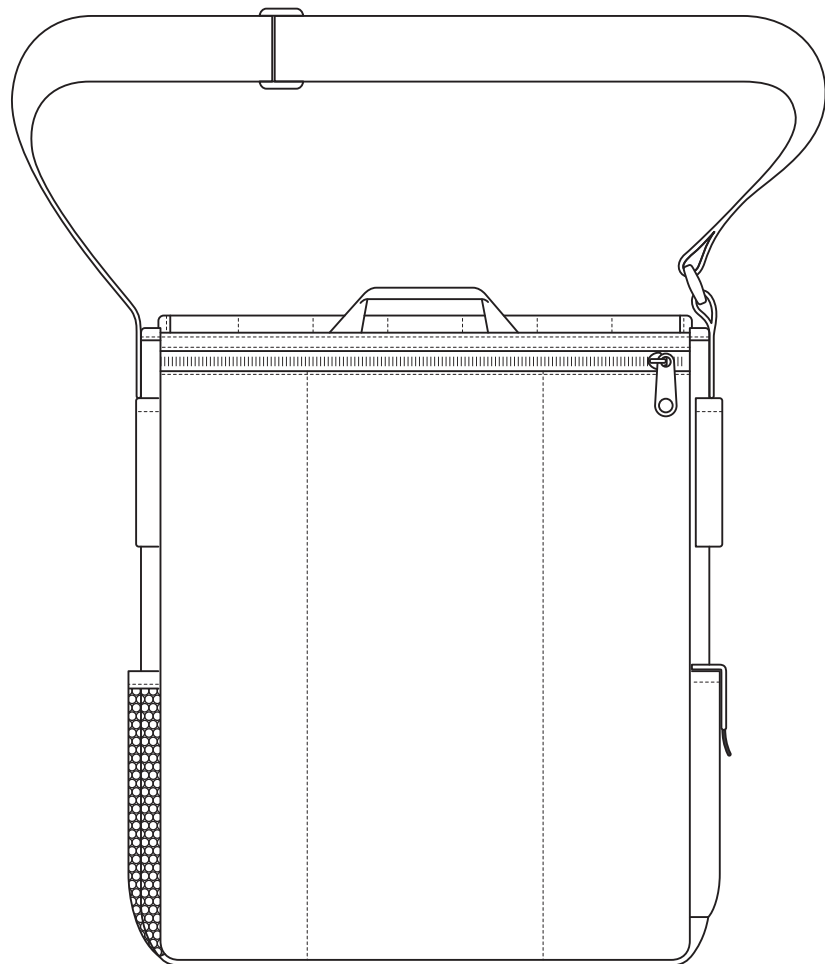
1174



FRONT

NOTE:

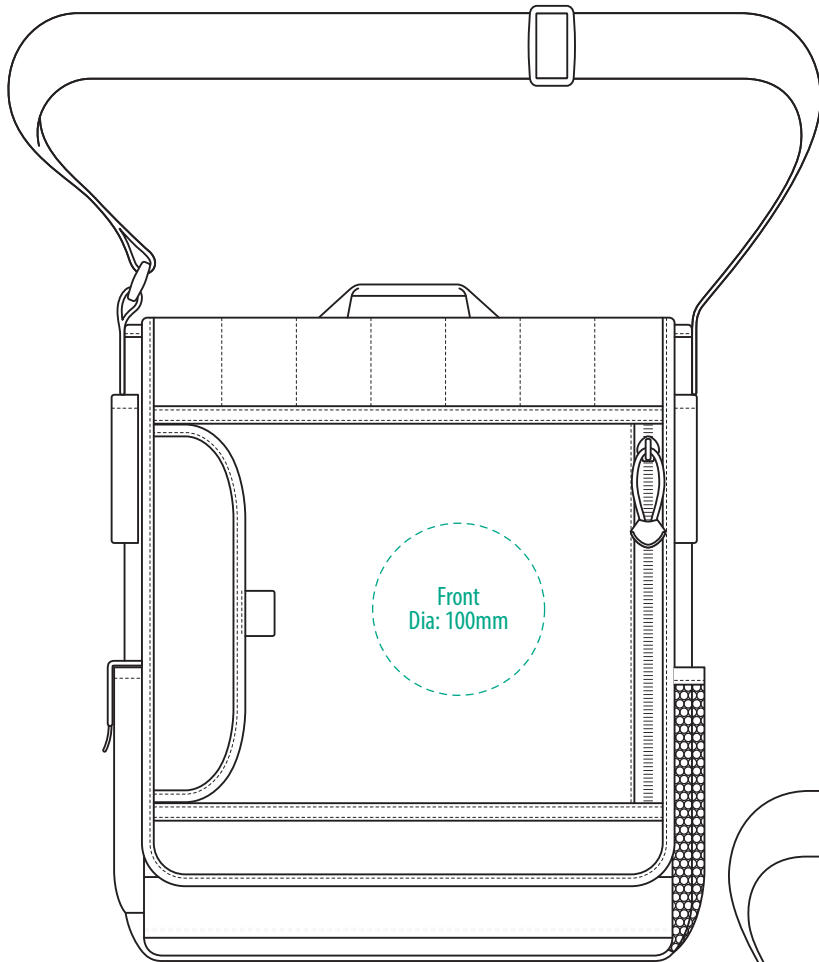
The maximum decoration area is a guide only and is greatly dependant on the logo shape.



BACK

SUPACOLOUR / SCREENPRINT

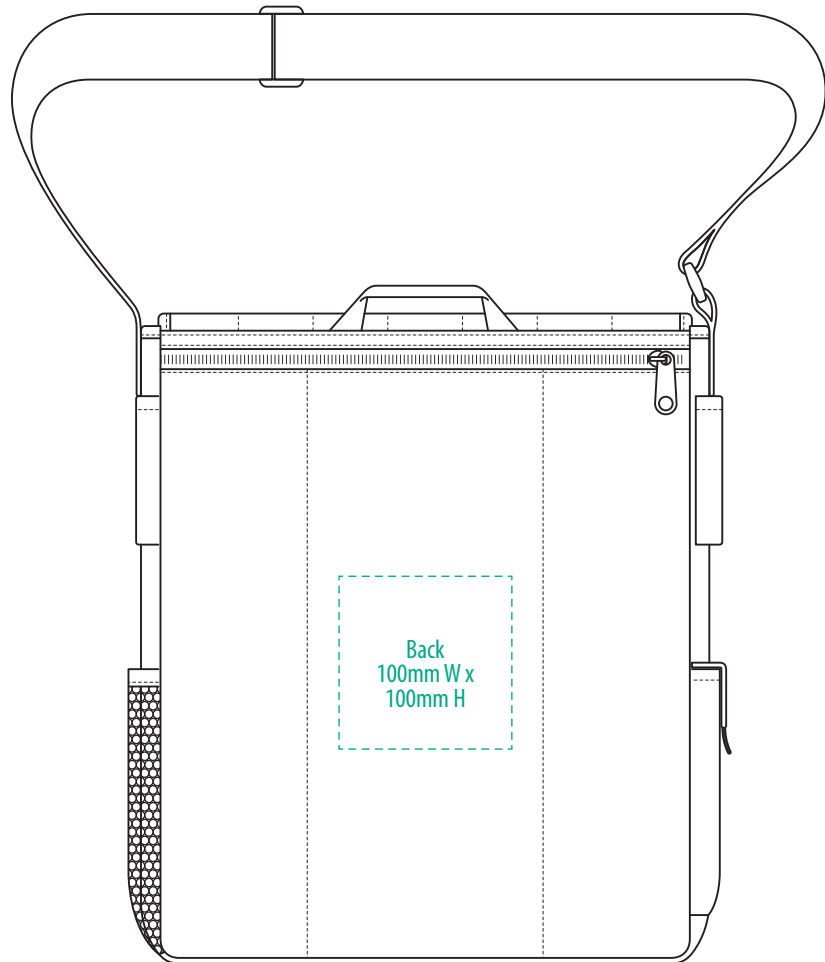
1174



FRONT

NOTE:

The maximum decoration area is a guide only and is greatly dependant on the logo shape.



BACK

SUPASUB / SUPAETCH / SUPAFLEX

1174

FABRIC SWATCH

BLACK/ORANGE



BLACK



PMS 165 C

Pantone colours are provided as a reference only and are based on closest match. Actual product colour may differ. If a precise colour match is required we recommend ordering a sample.