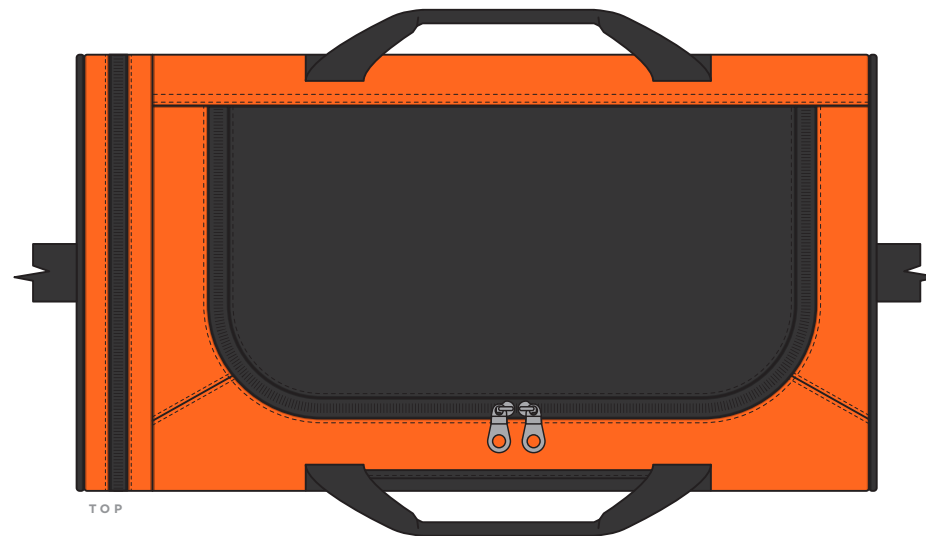


1222

COLOURWAYS



TOP



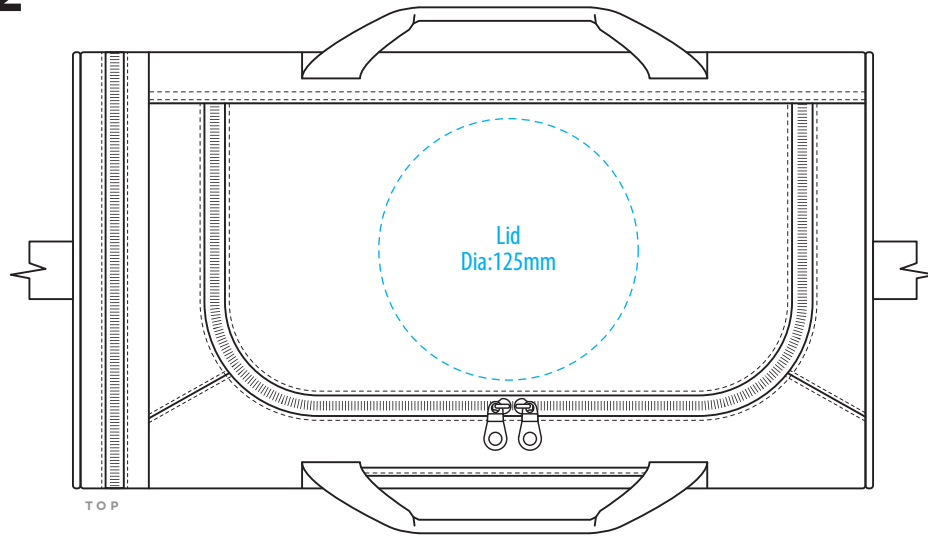
FRONT



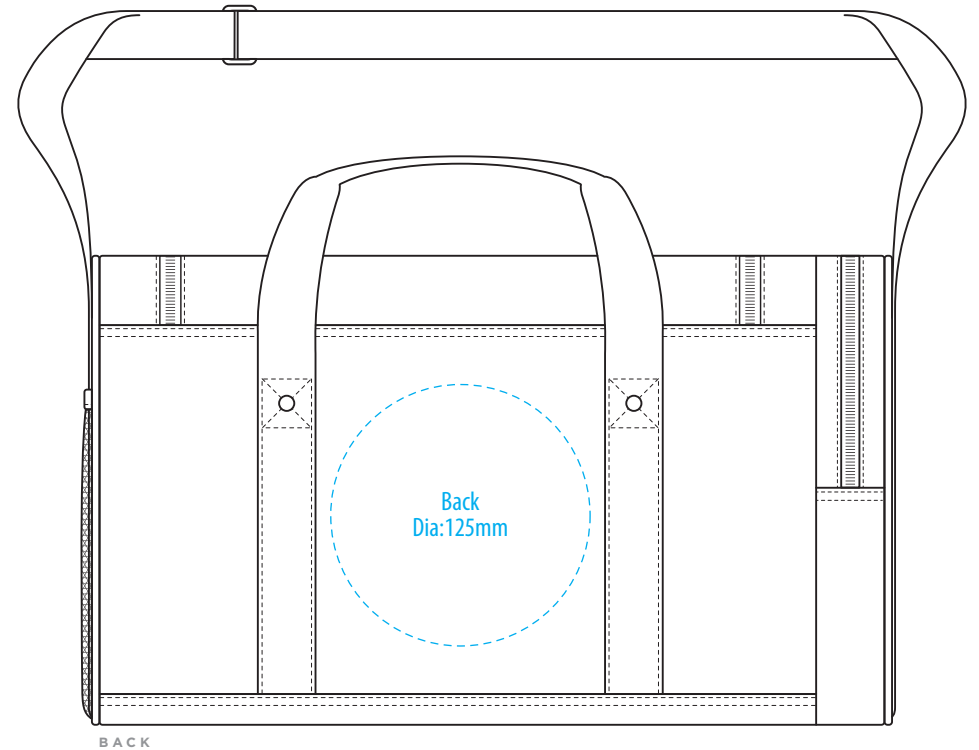
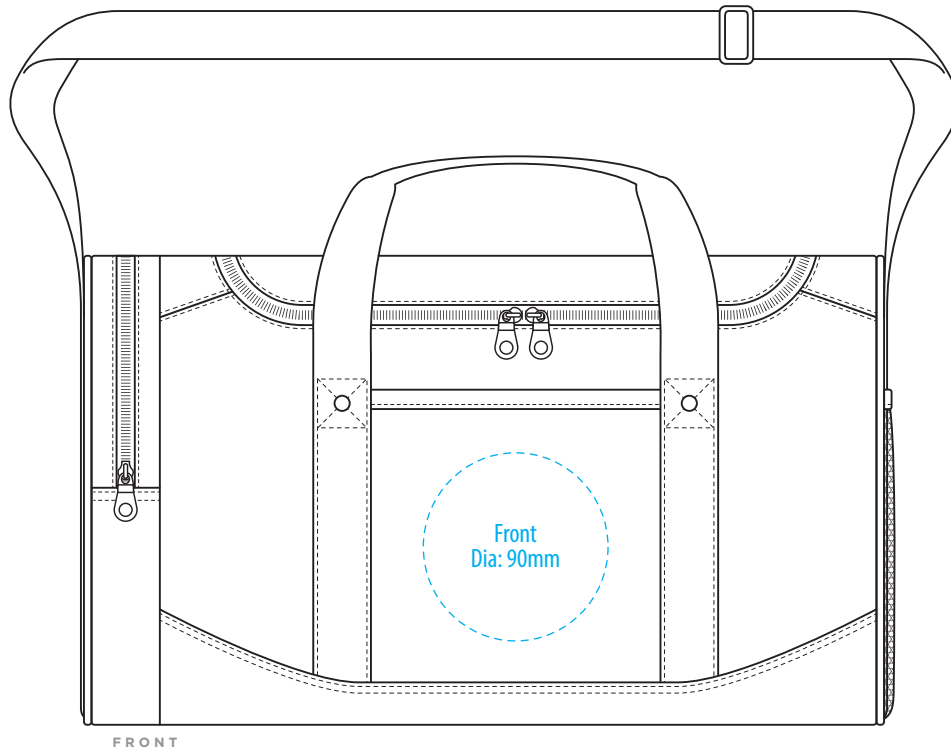
BACK

COLOUR

1222

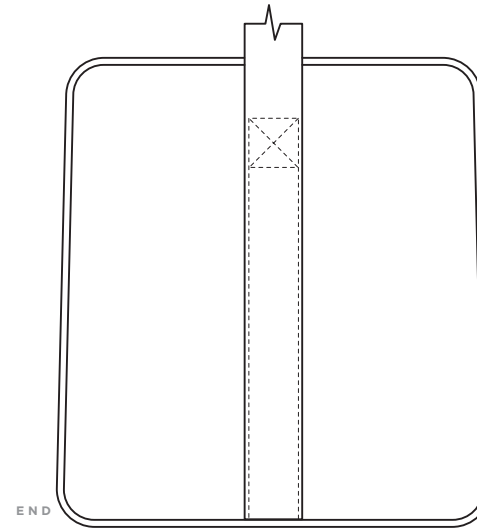
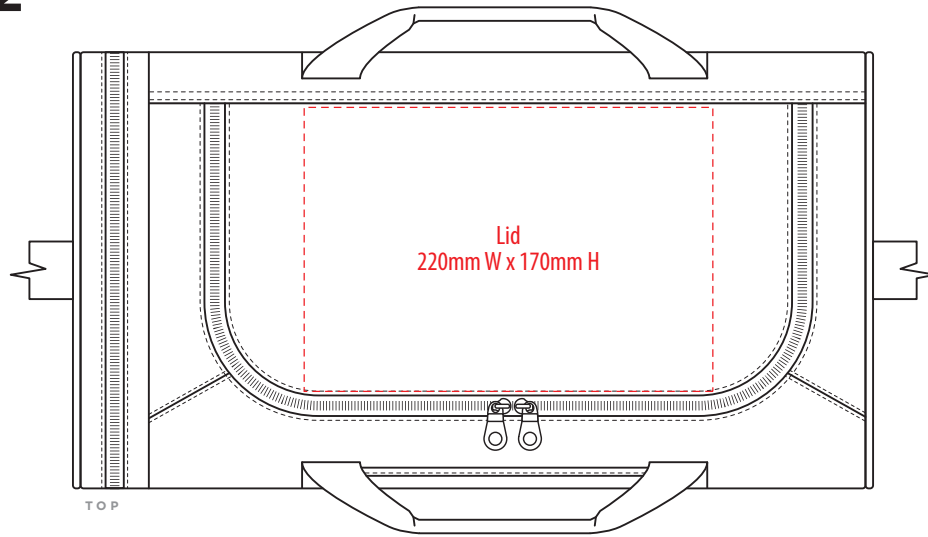


NOTE:
The maximum decoration area is a guide only and is greatly dependant on the logo shape.

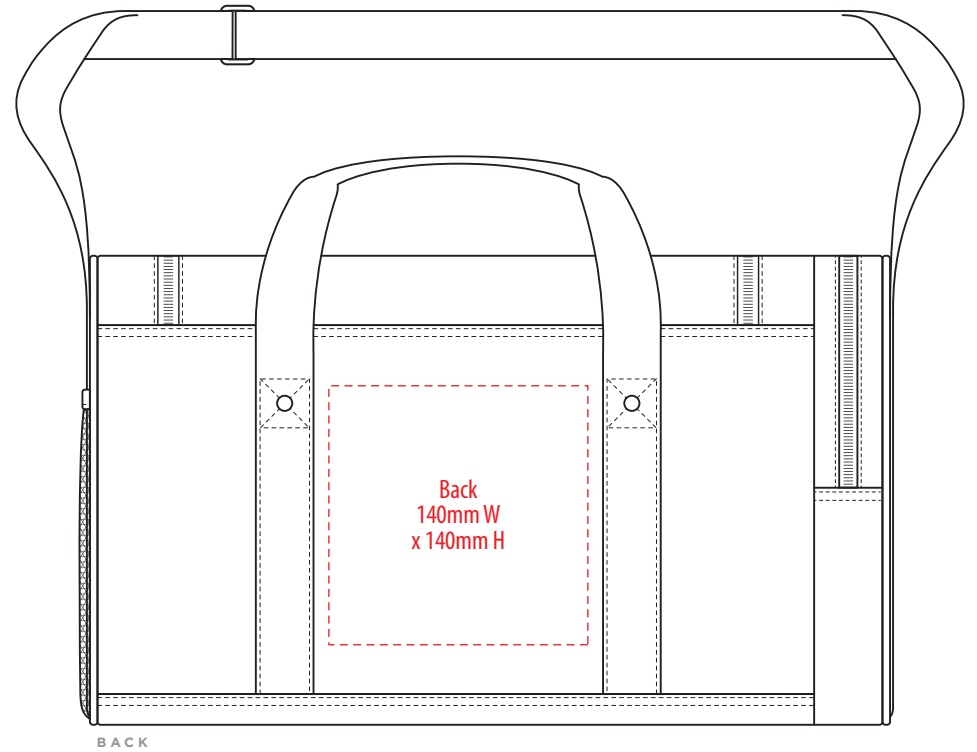
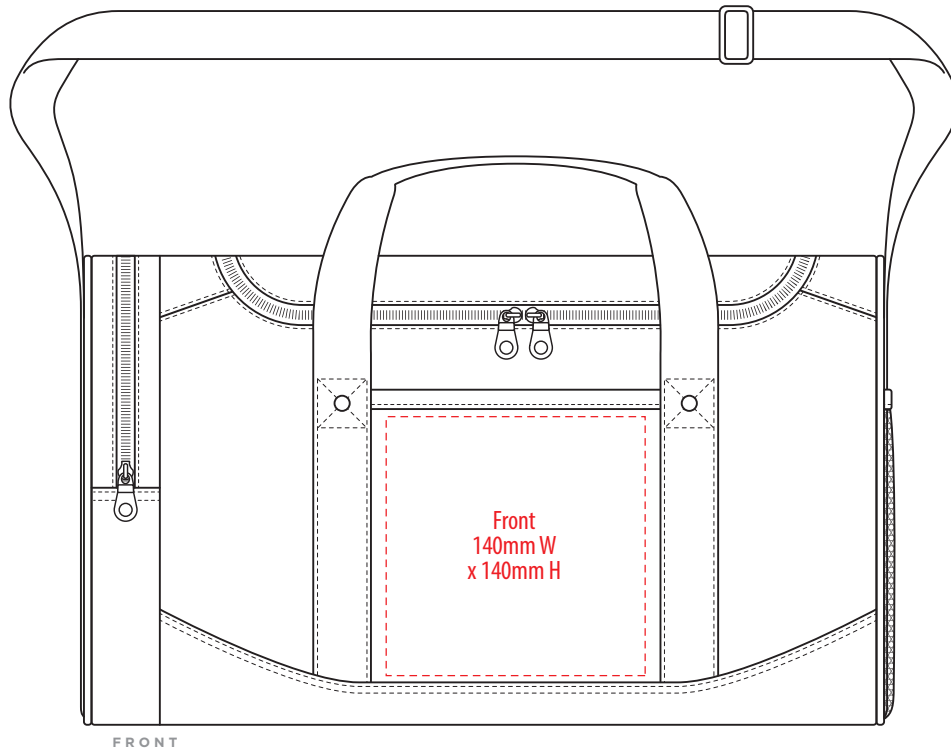


EMBROIDERY / SUPASUB / SUPAETCH / SUPAFLEX

1222















NOTE:
The maximum decoration area is a guide only and is greatly dependant on the logo shape.



SUPACOLOUR / PRINT

1222

FABRIC SWATCH

| | | | | |
|---------------------|--|--------------------|---|------------|
| AQUA/BLACK |  | PMS Process Blue C |  | BLACK |
| BLACK/BLACK |  | BLACK |  | BLACK |
| NAVY/NAVY |  | PMS 2965 C |  | PMS 2965 C |
| ORANGE/BLACK |  | PMS 165 C |  | BLACK |
| RED/BLACK |  | PMS 186 C |  | BLACK |
| ROYAL/BLACK |  | PMS 286 C |  | BLACK |

Pantone colours are provided as a reference only and are based on closest match. Actual product colour may differ. If a precise colour match is required we recommend ordering a sample.