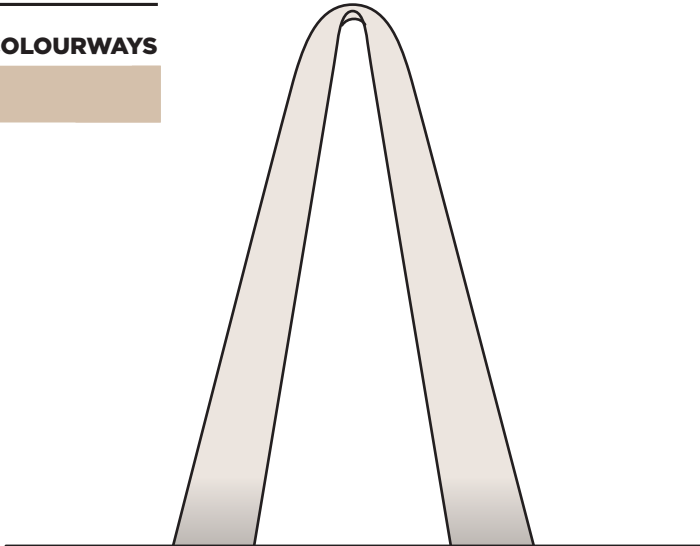
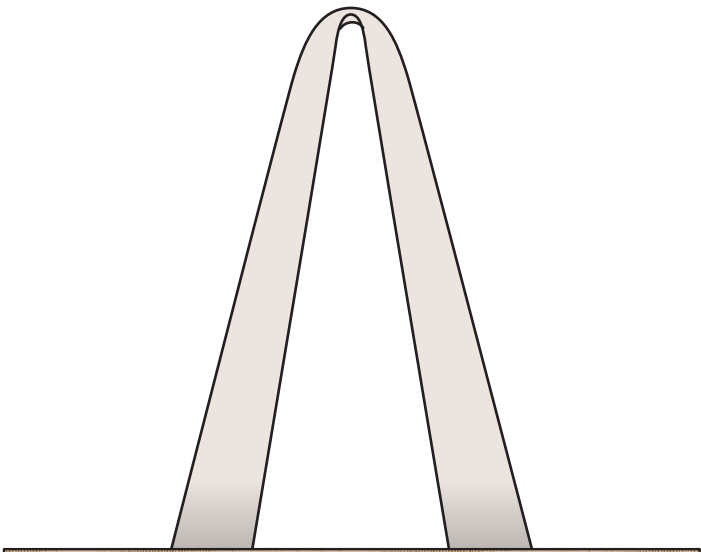


1965

COLOURWAYS



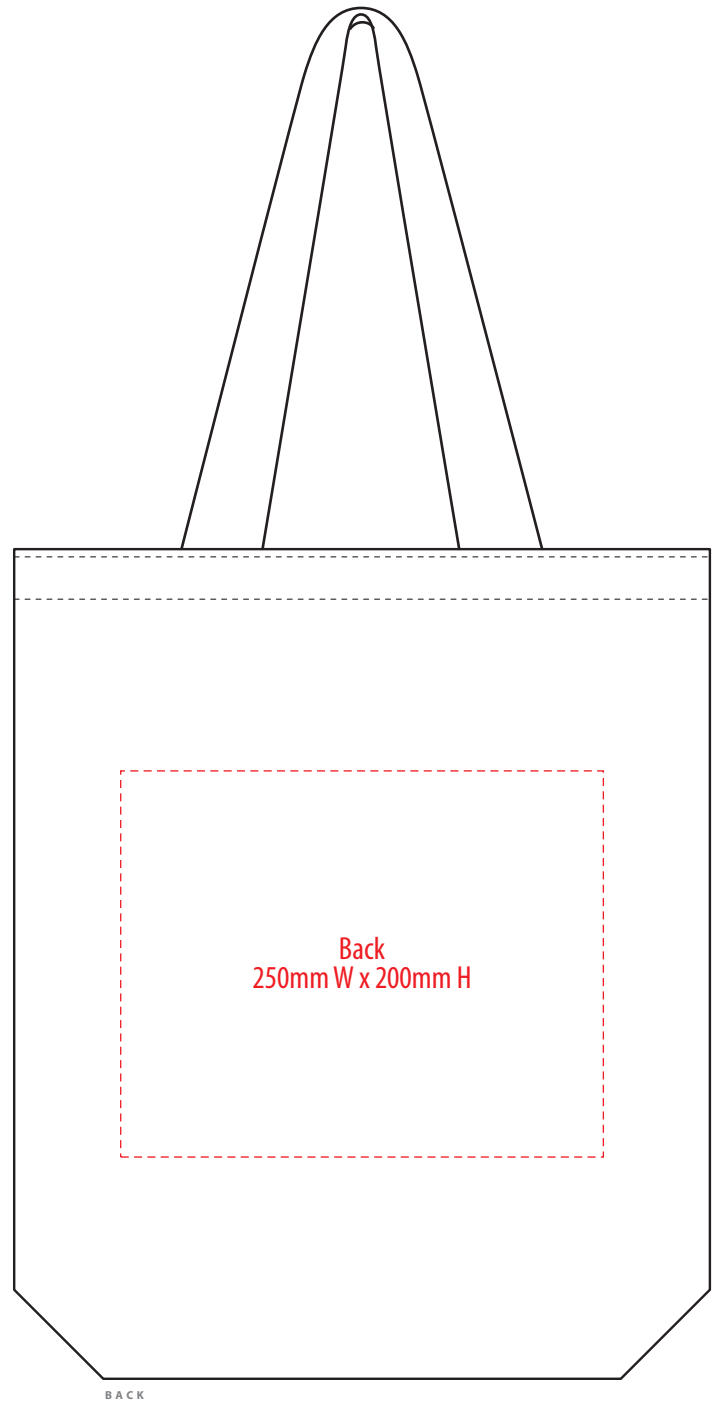
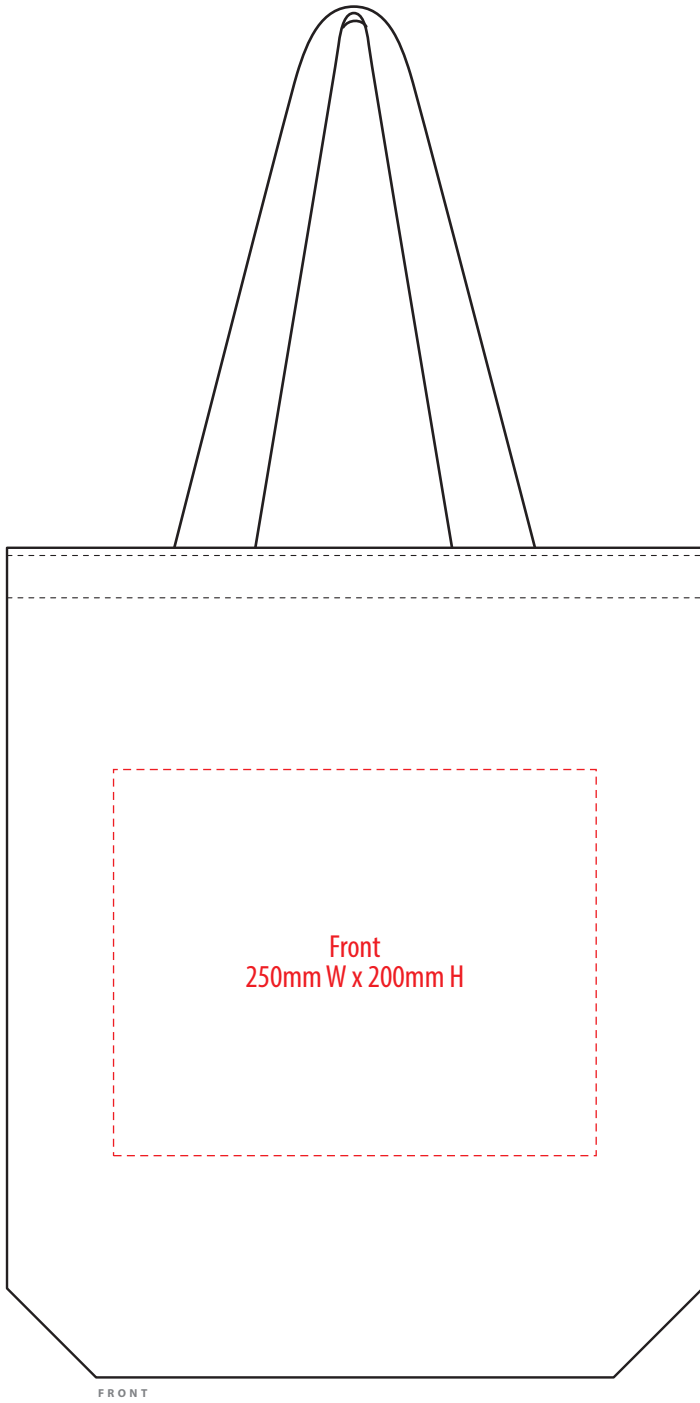
FRONT



BACK

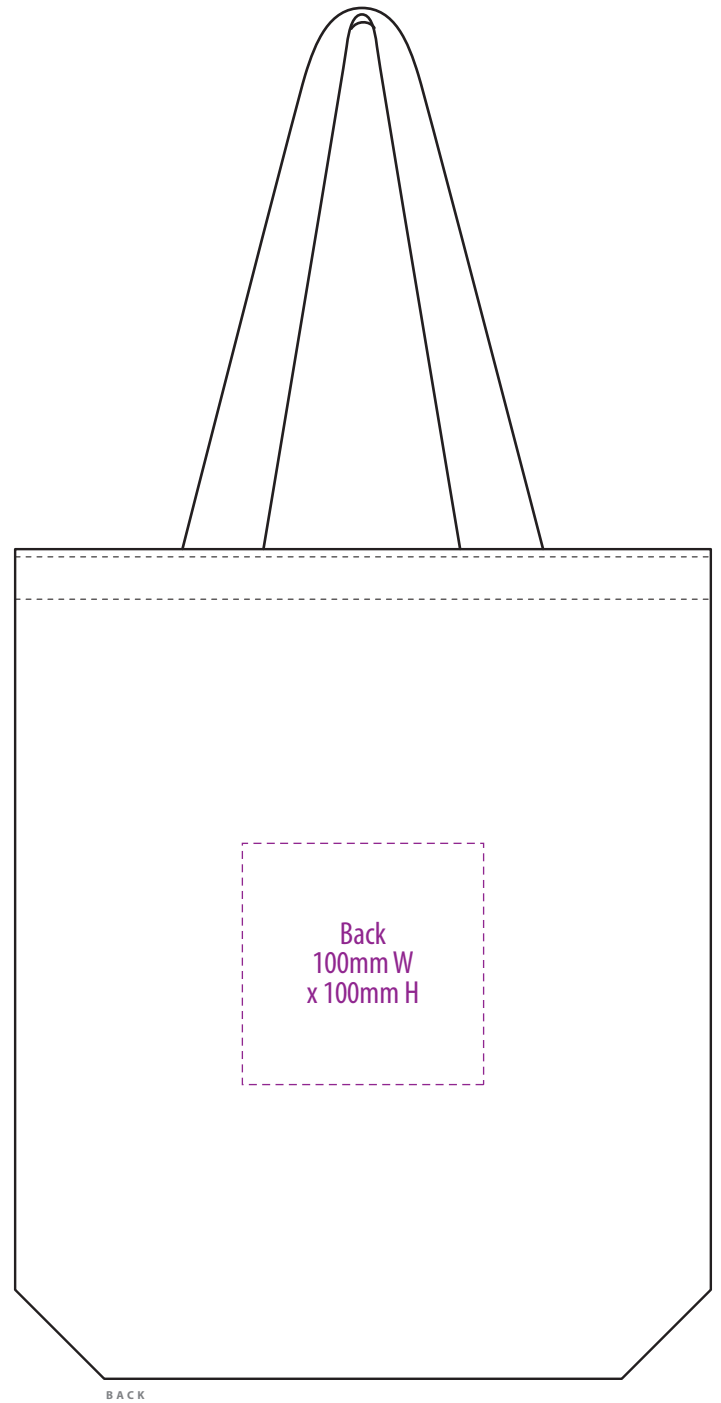
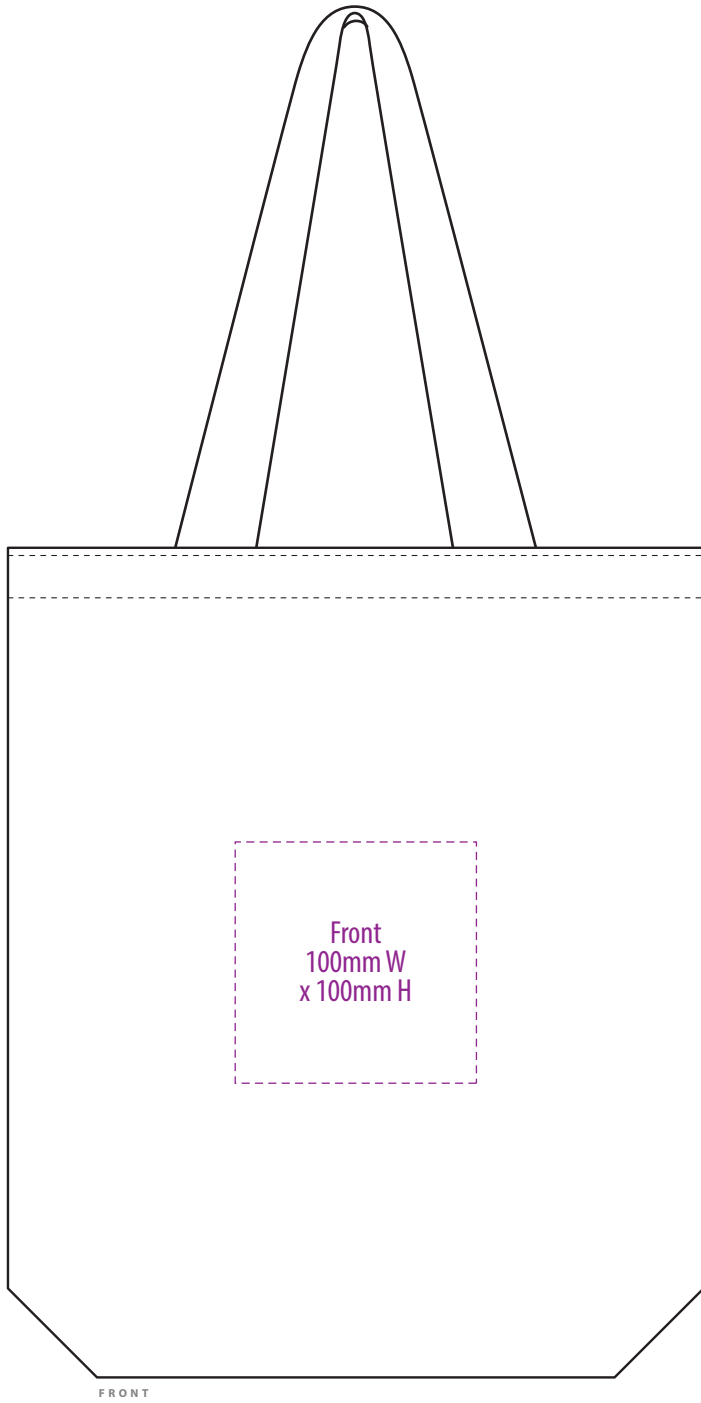
COLOUR

1965



SUPACOLOUR / PRINT

1965



SUPASUB / SUPAETCH / SUPAFLEX

1965

FABRIC SWATCH

NATURAL



PMS 4247 C

Pantone colours are provided as a reference only and are based on closest match. Actual product colour may differ. If a precise colour match is required we recommend ordering a sample.