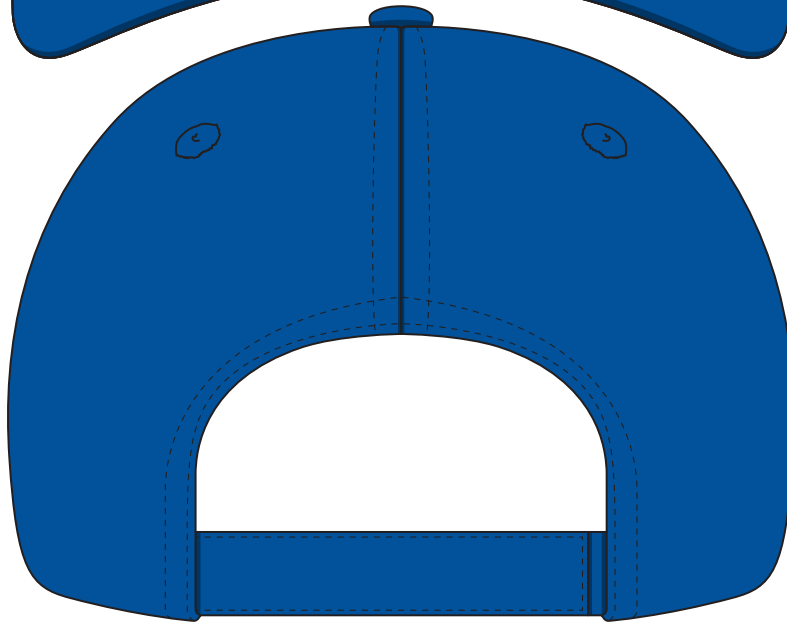
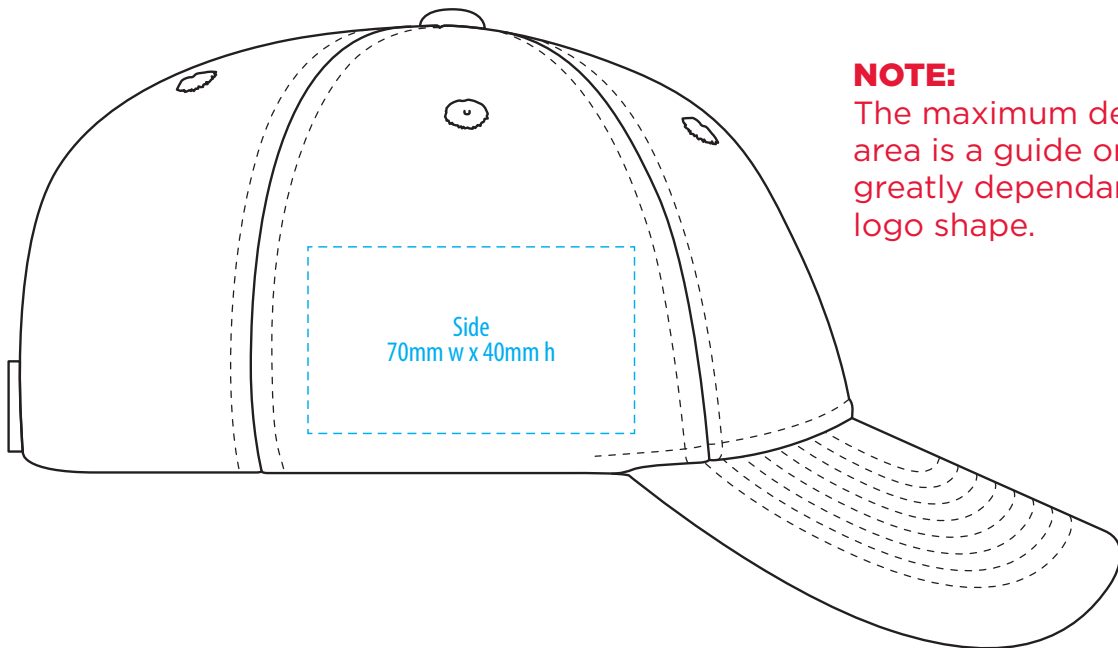
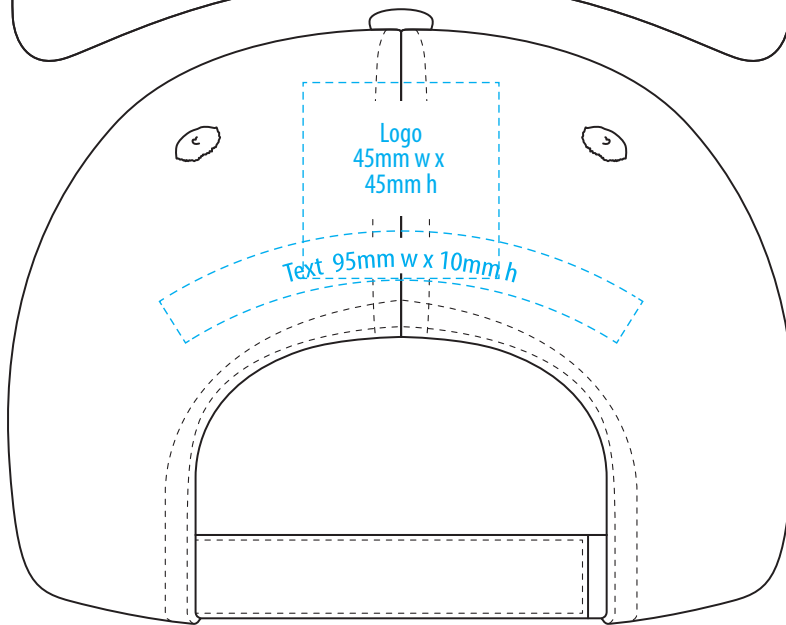
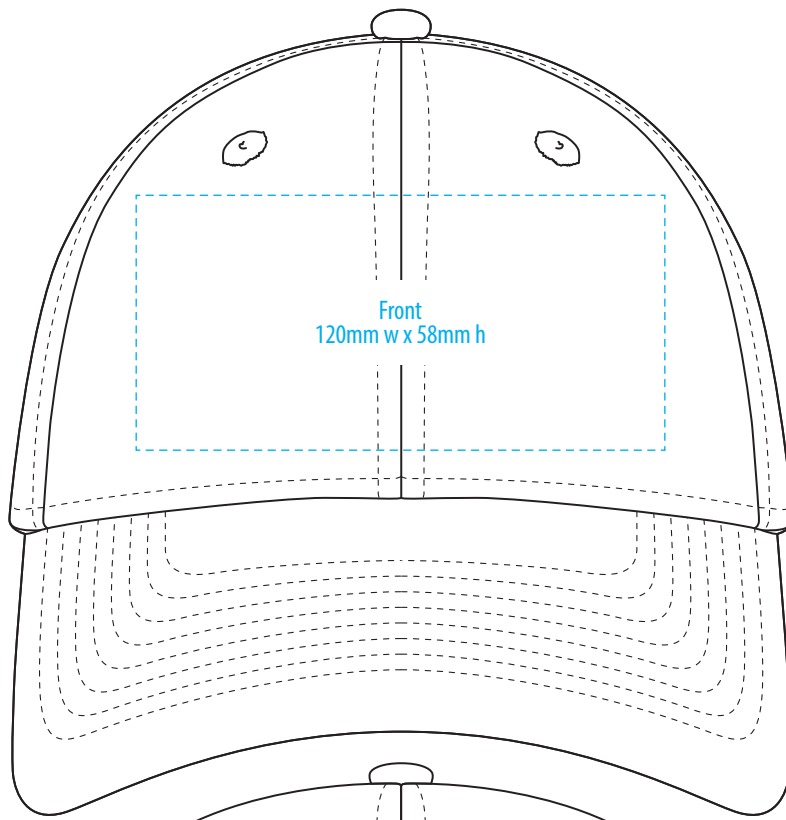


4009

COLOURWAYS



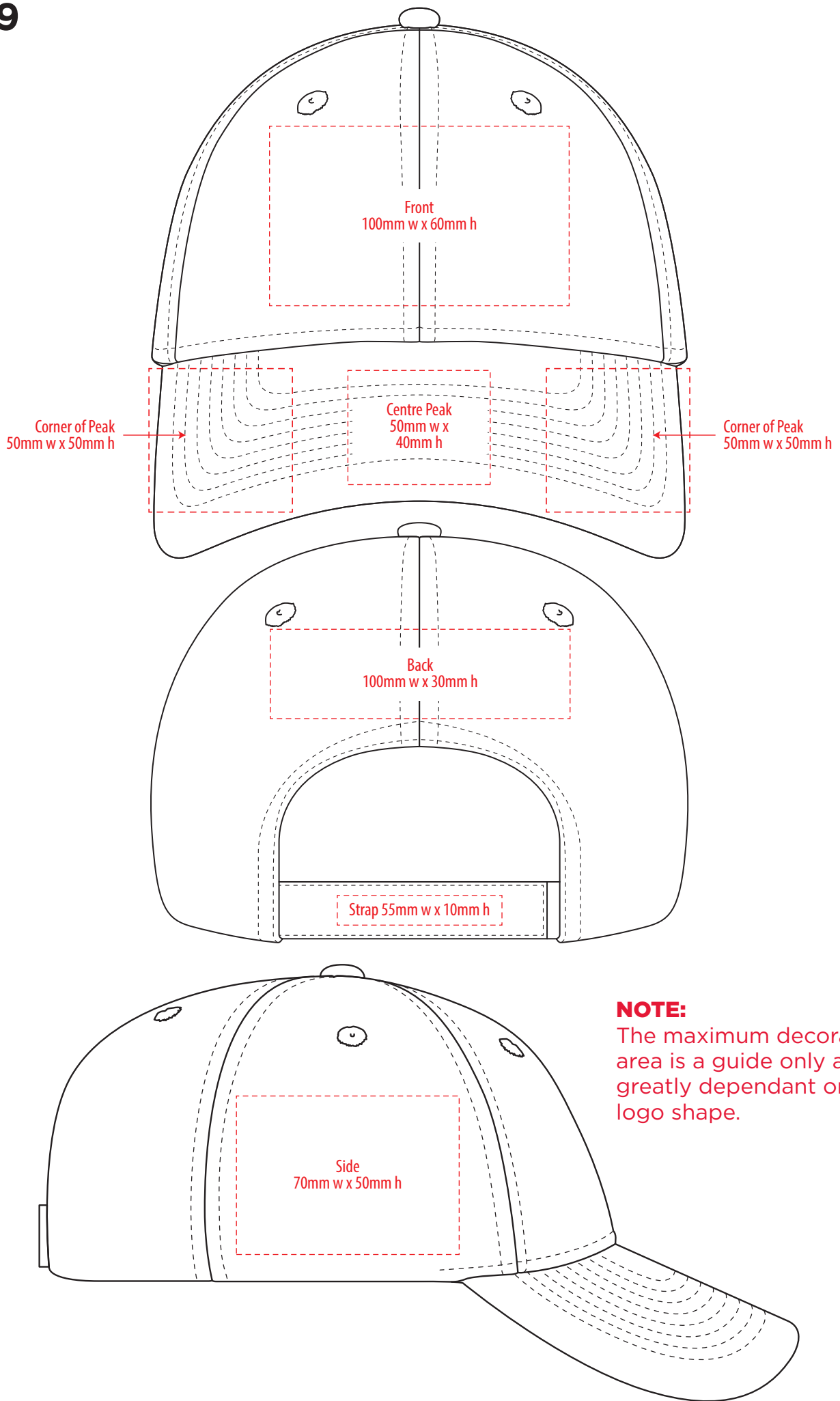
COLOUR

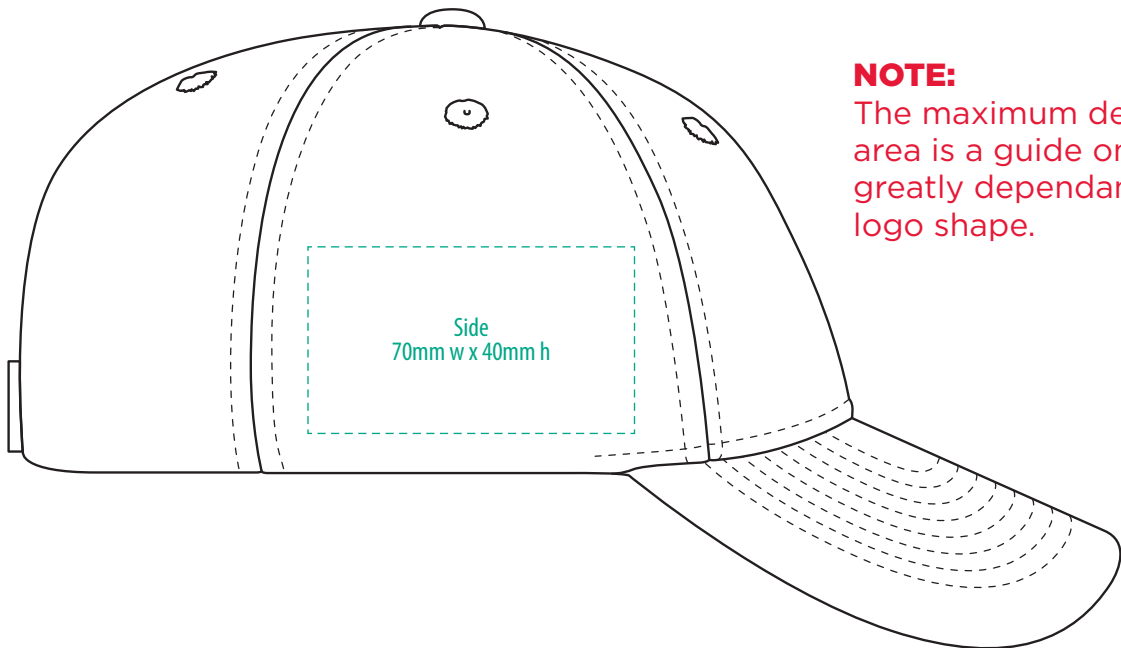
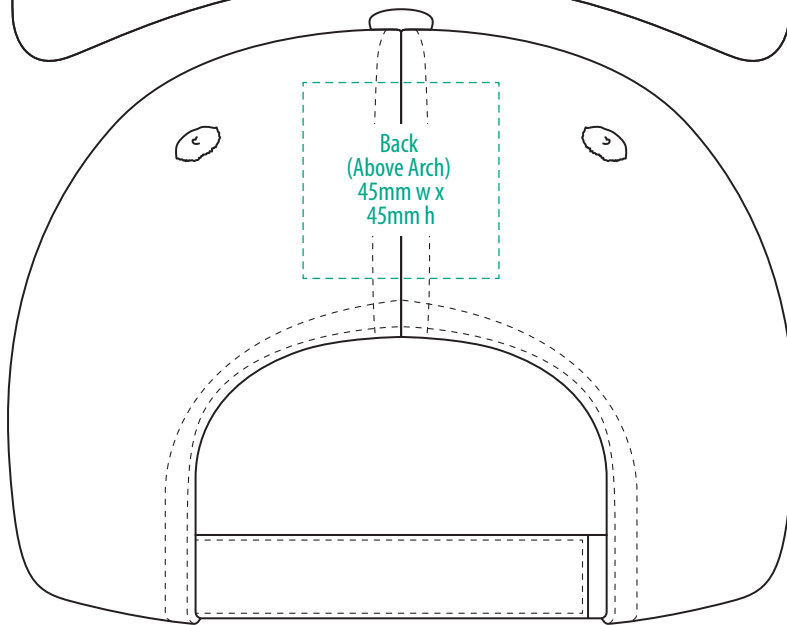
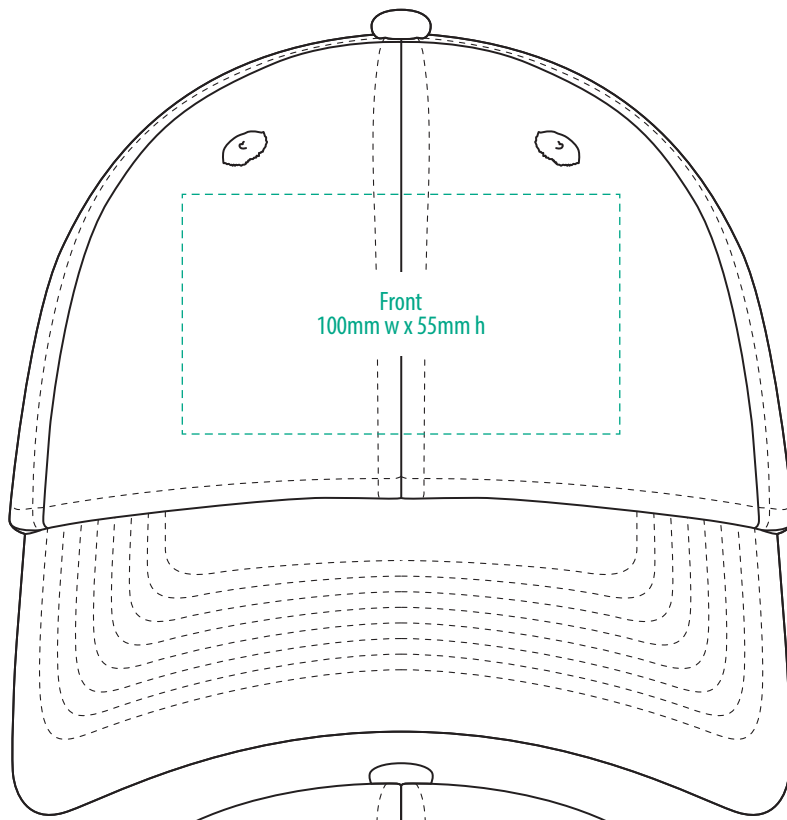


NOTE:

The maximum decoration area is a guide only and is greatly dependant on the logo shape.

EMBROIDERY





NOTE:

The maximum decoration area is a guide only and is greatly dependant on the logo shape.

SUPASUB / SUPAETCH / SUPAFLEX

[PATCH MUST BE AT LEAST 25MM X 25MM]

4009

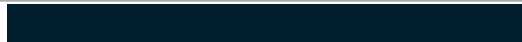
FABRIC SWATCH

MAROON



PMS 7644 C

NAVY



PMS 5395 C

ROYAL



PMS 287 C

Pantone colours are provided as a reference only and are based on closest match. Actual product colour may differ. If a precise colour match is required we recommend ordering a sample.