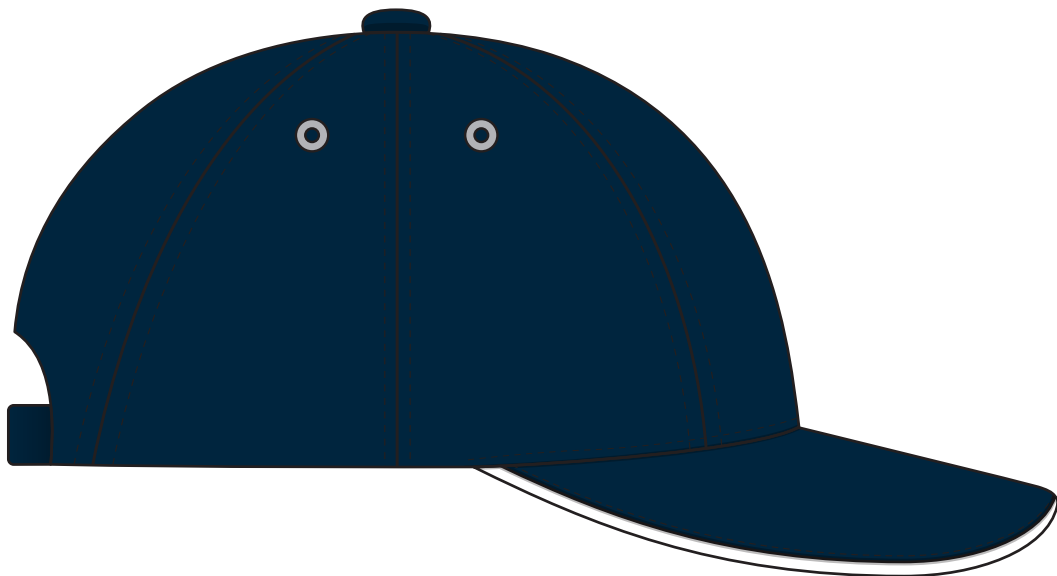
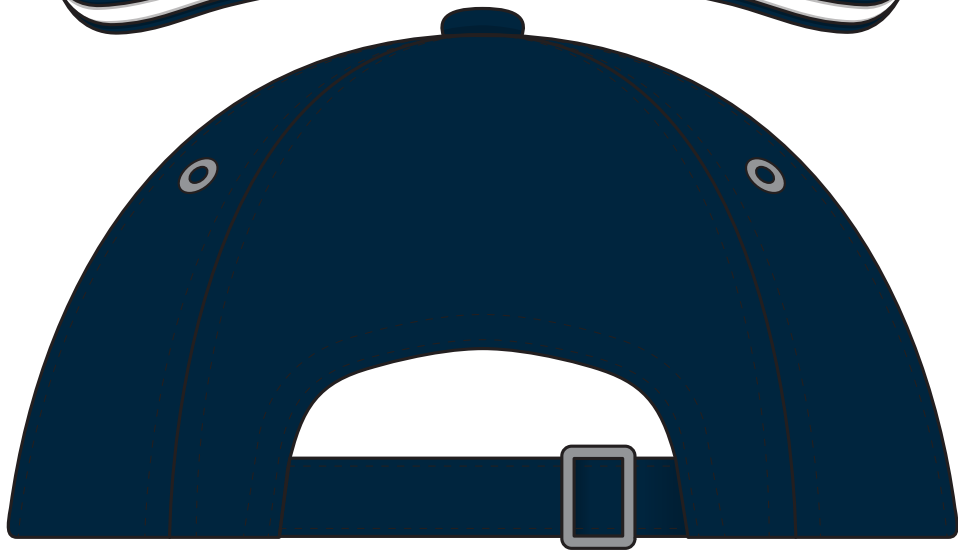


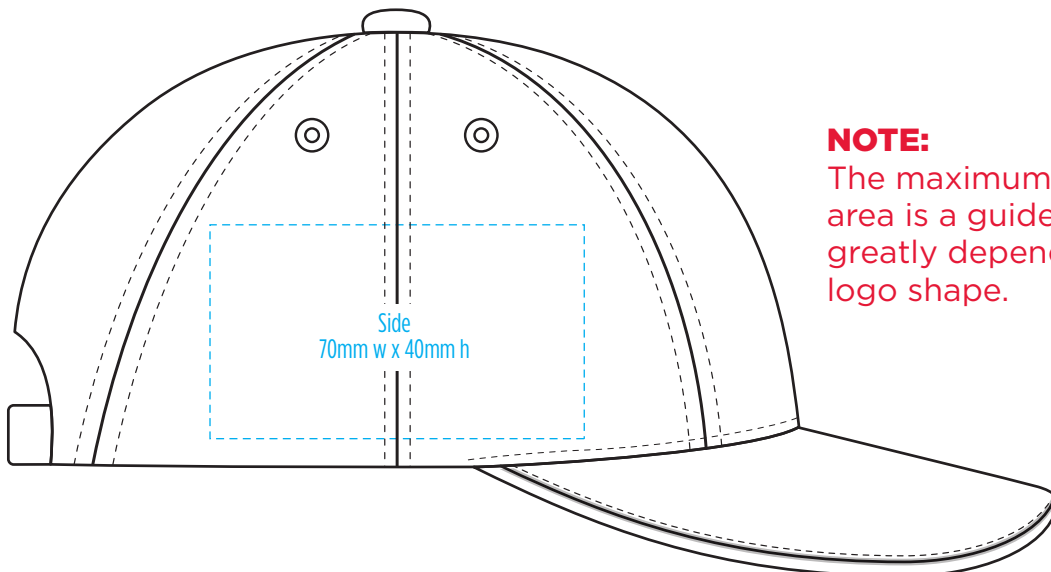
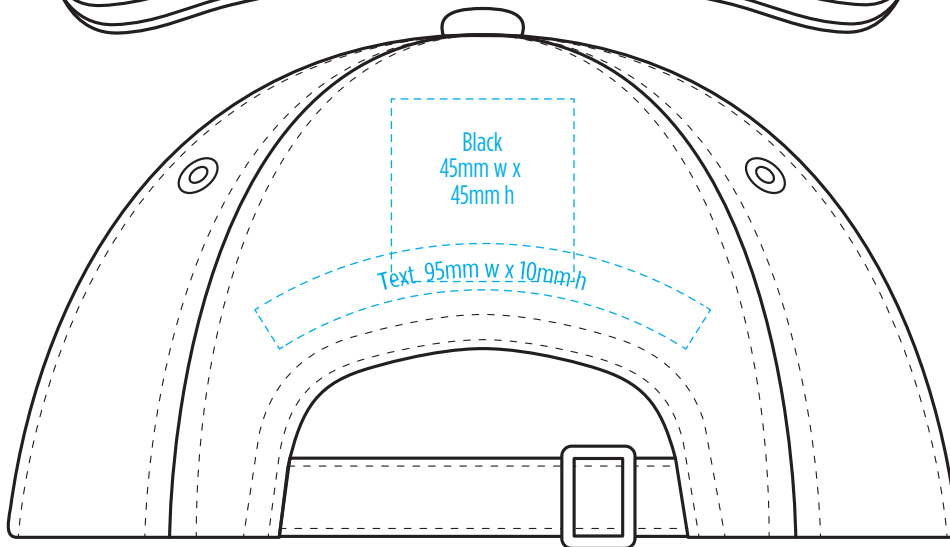
4290

COLOURWAYS



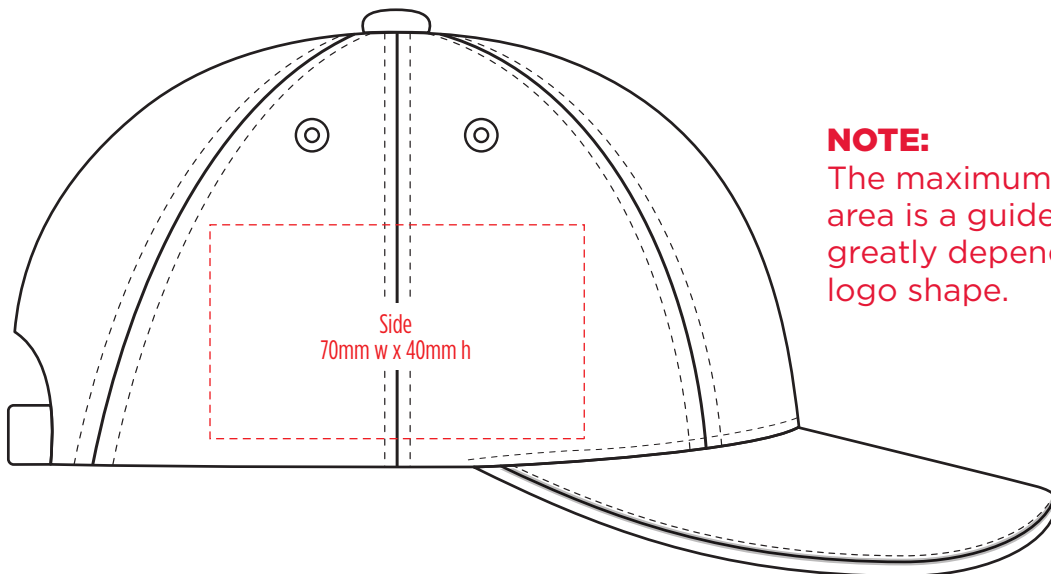
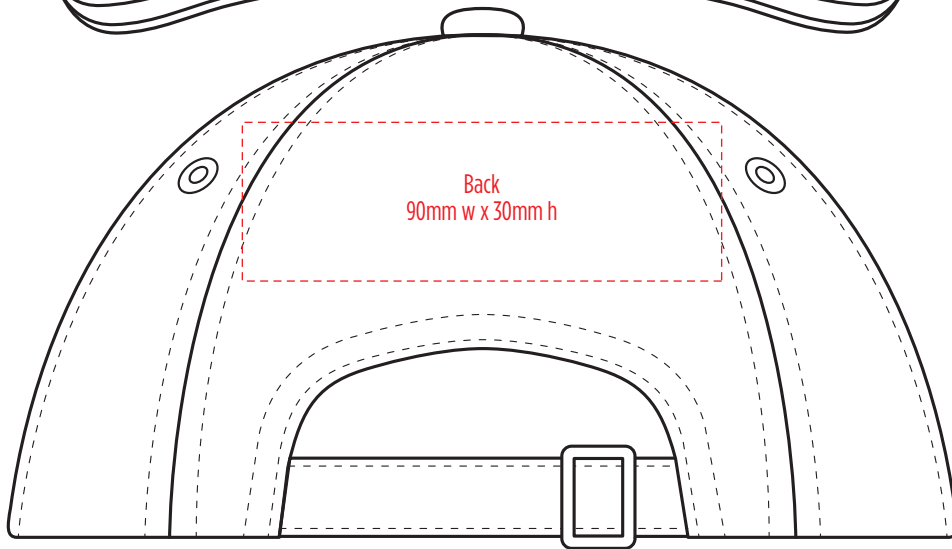
COLOUR

4290



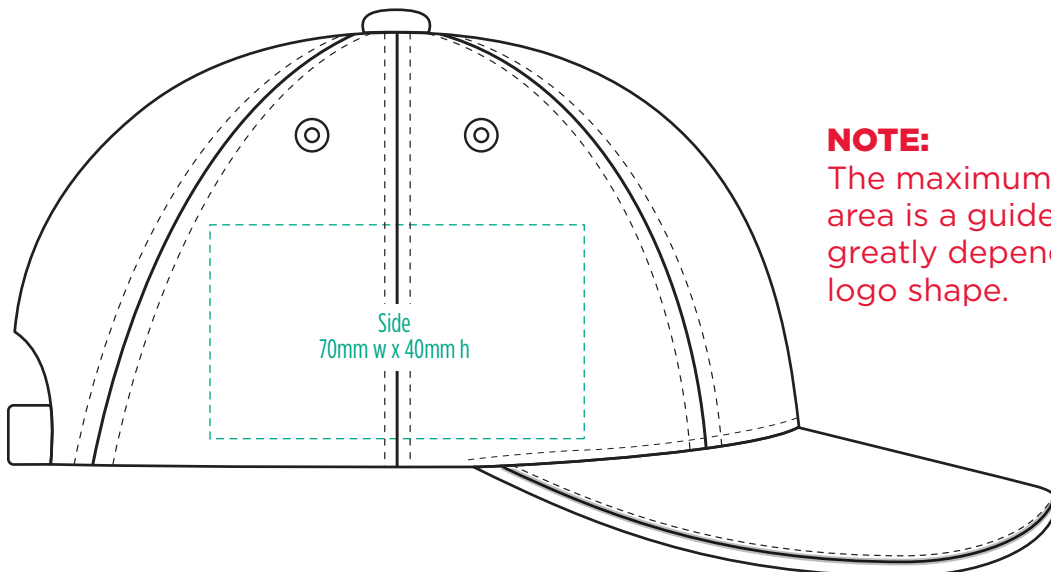
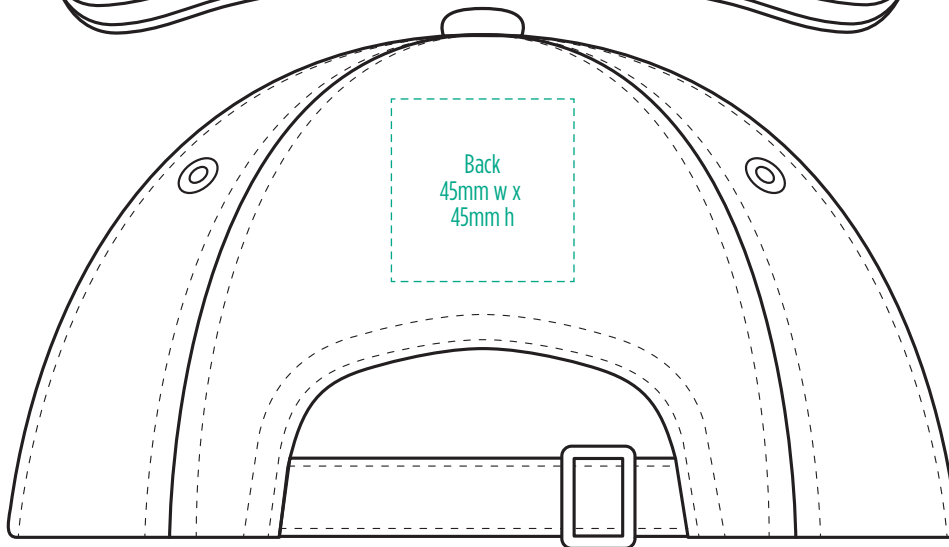
NOTE:
The maximum decoration area is a guide only and is greatly dependant on the logo shape.

EMBROIDERY



NOTE:
The maximum decoration area is a guide only and is greatly dependant on the logo shape.

4290



NOTE:

The maximum decoration area is a guide only and is greatly dependant on the logo shape.

SUPASUB / SUPAETCH / SUPAFLEX

[PATCH MUST BE AT LEAST 25MM X 25MM]

4290

FABRIC SWATCH

GREY/BLACK



PMS Cool Grey 8 C



BLACK

NAVY/WHITE



PMS 2965 C



WHITE

Pantone colours are provided as a reference only and are based on closest match. Actual product colour may differ. If a precise colour match is required we recommend ordering a sample.