

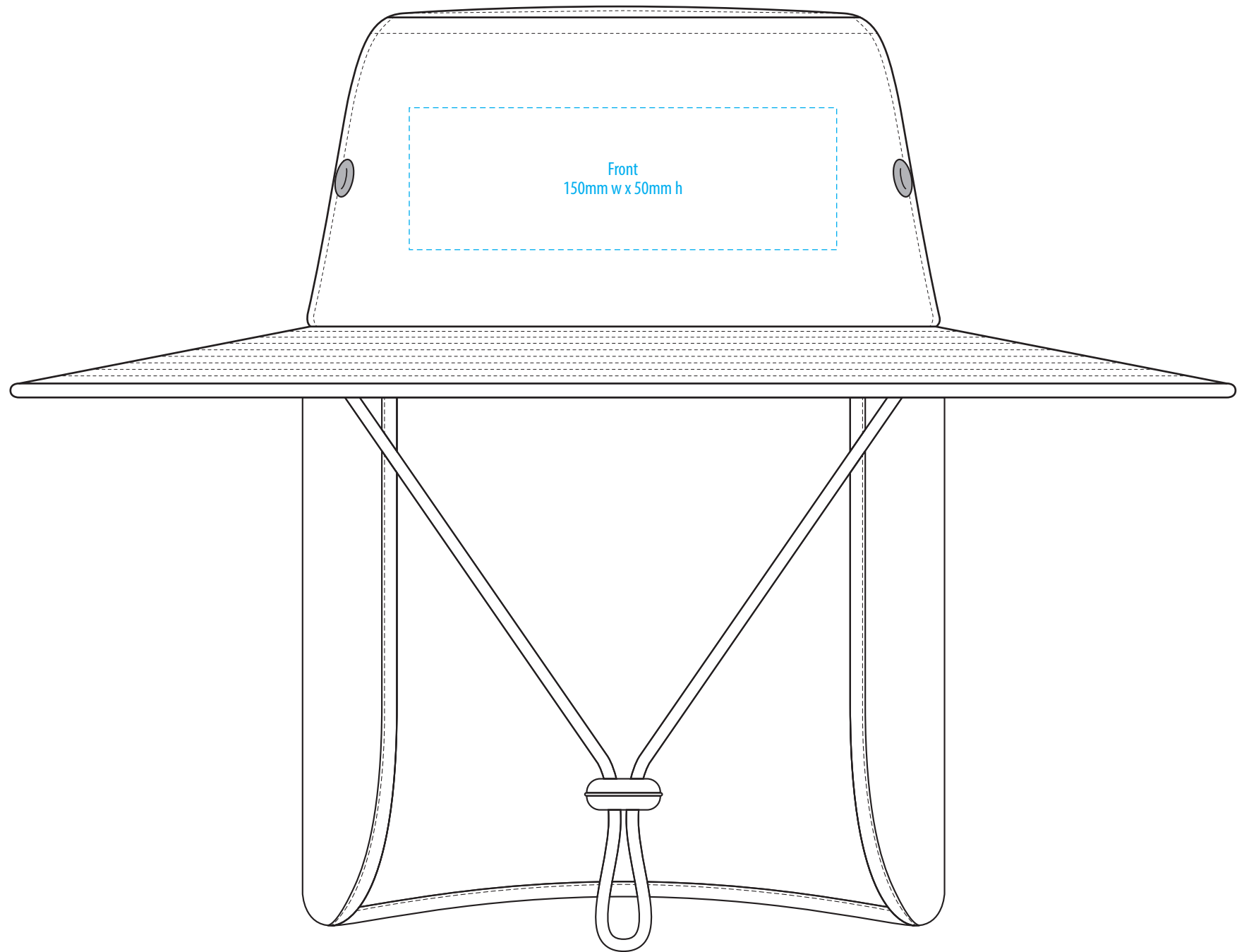
4295

COLOURWAYS



-----  
COLOUR

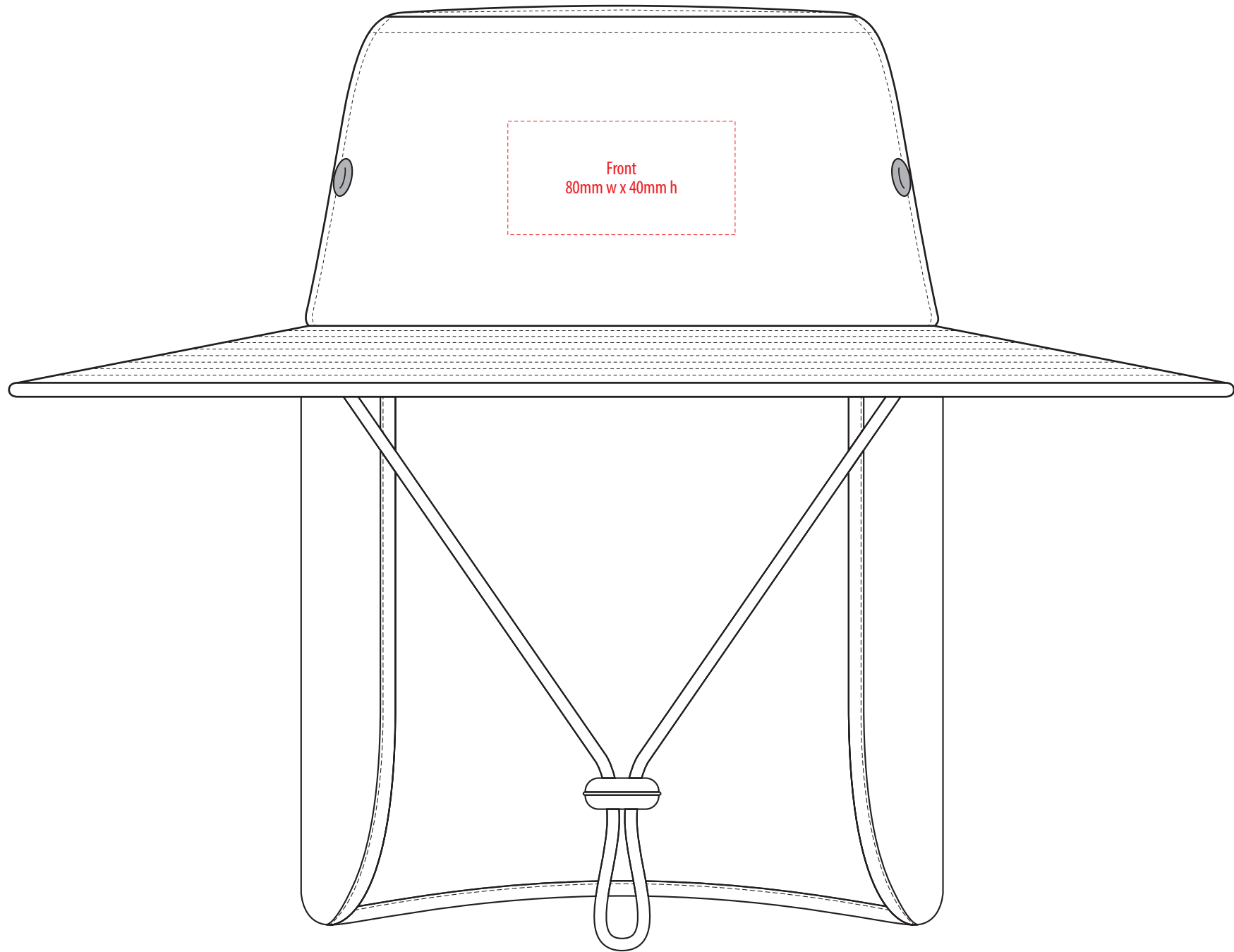
4295



Front  
150mm w x 50mm h

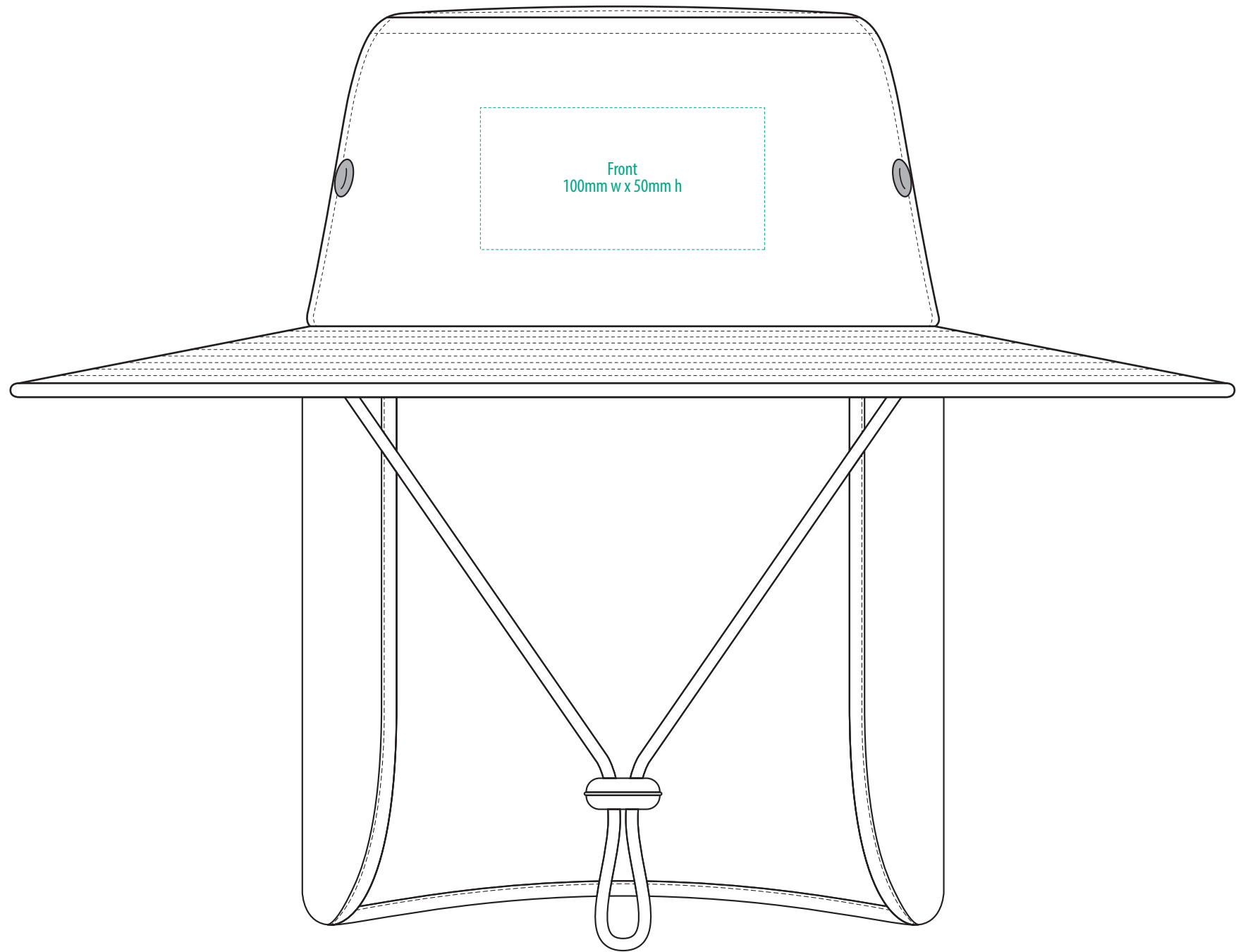
-----  
EMBROIDERY

4295



-----  
SUPACLOUR

4295



Front  
100mm w x 50mm h

-----  
SUPASUB / SUPAETCH / SUPAFLEX  
[ PATCH MUST BE AT LEAST 25MM X 25MM ]

4295

# FABRIC SWATCH

**NAVY**



PMS 2965 C

---

Pantone colours are provided as a reference only and are based on closest match. Actual product colour may differ. If a precise colour match is required we recommend ordering a sample.