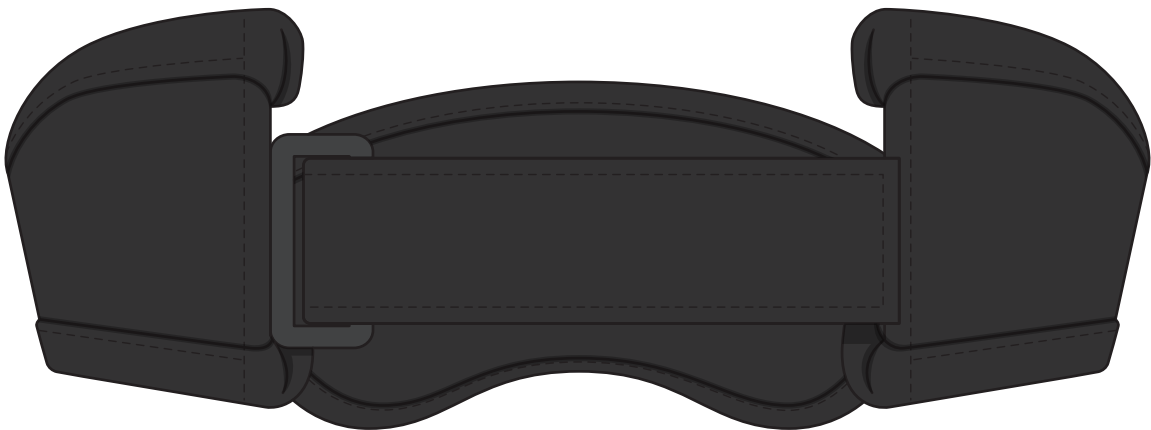
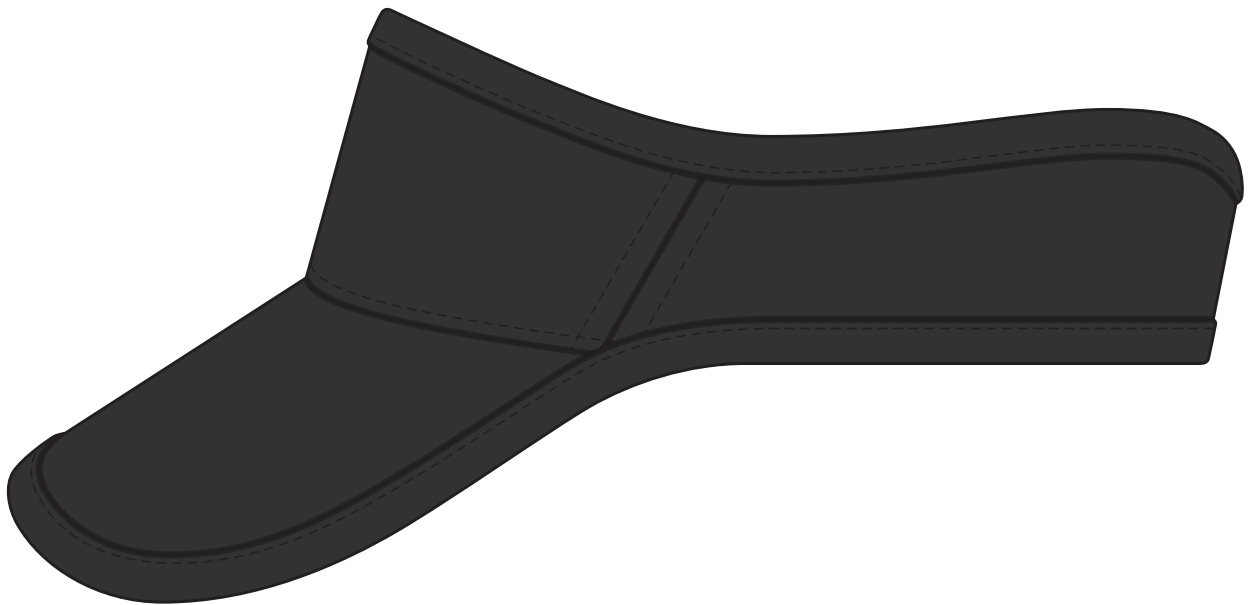
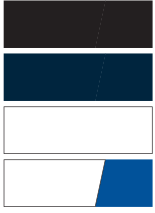


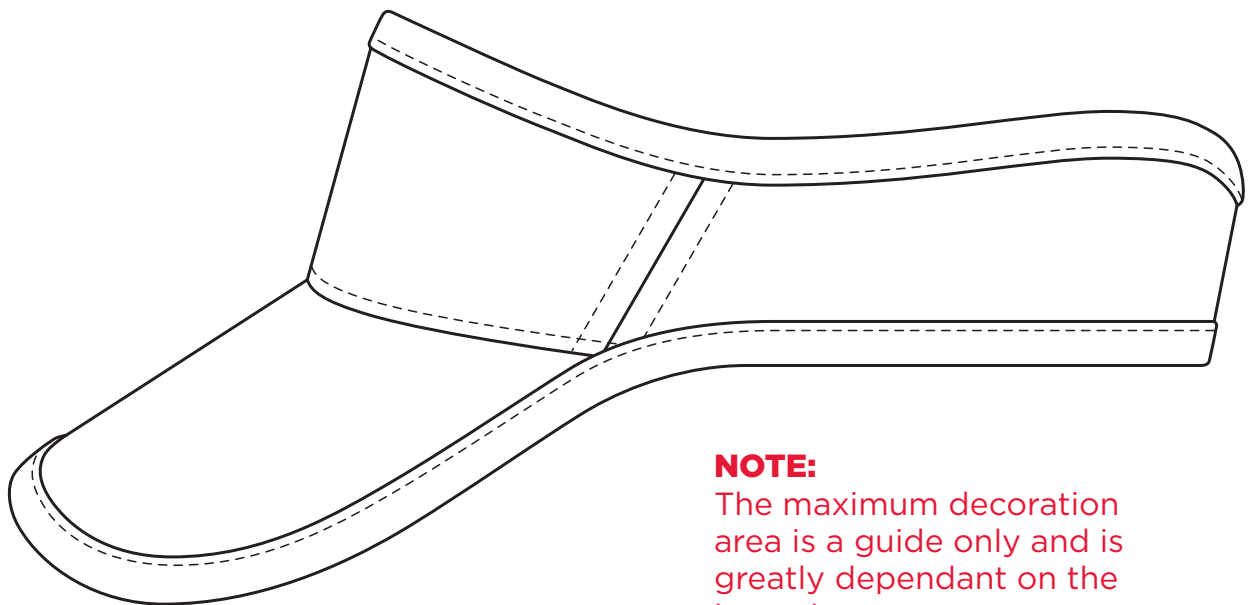
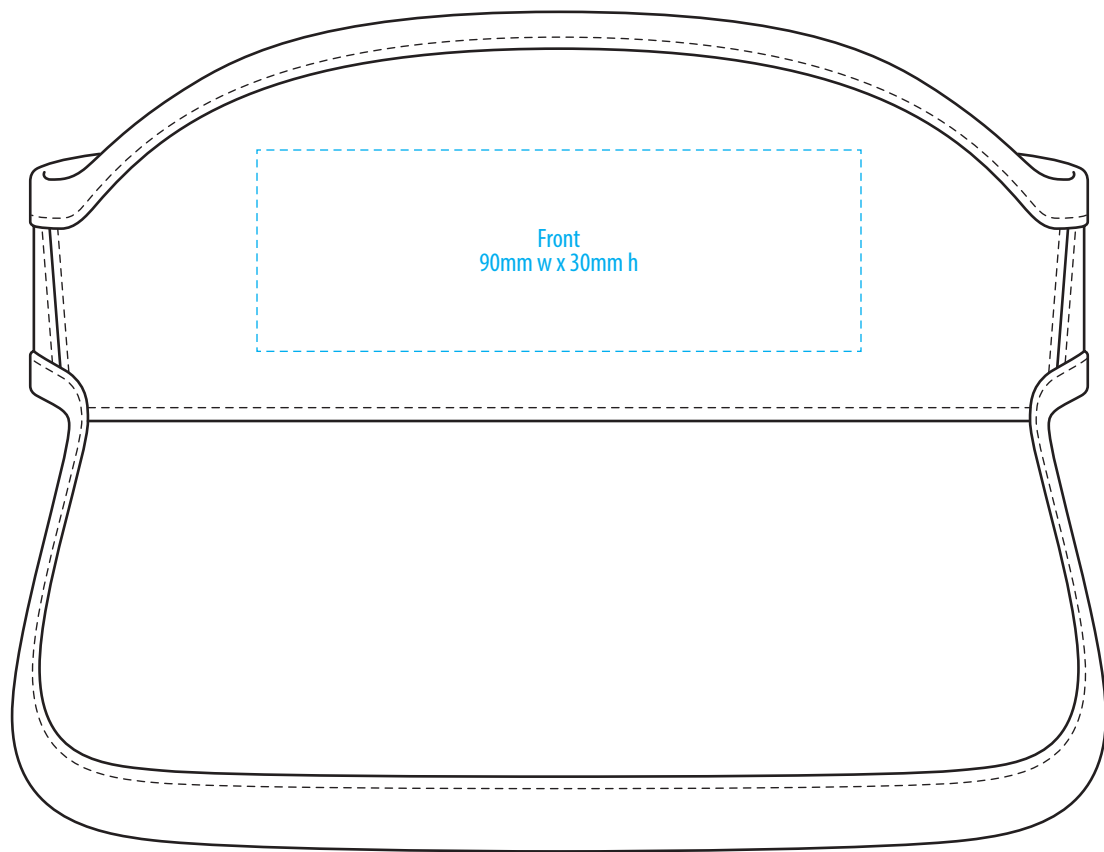
4379

COLOURWAYS

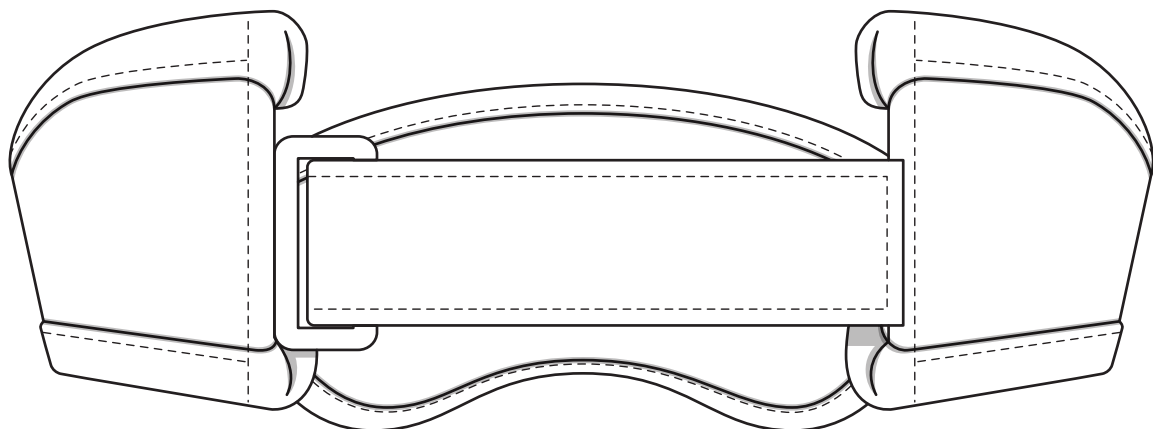


COLOUR

4379

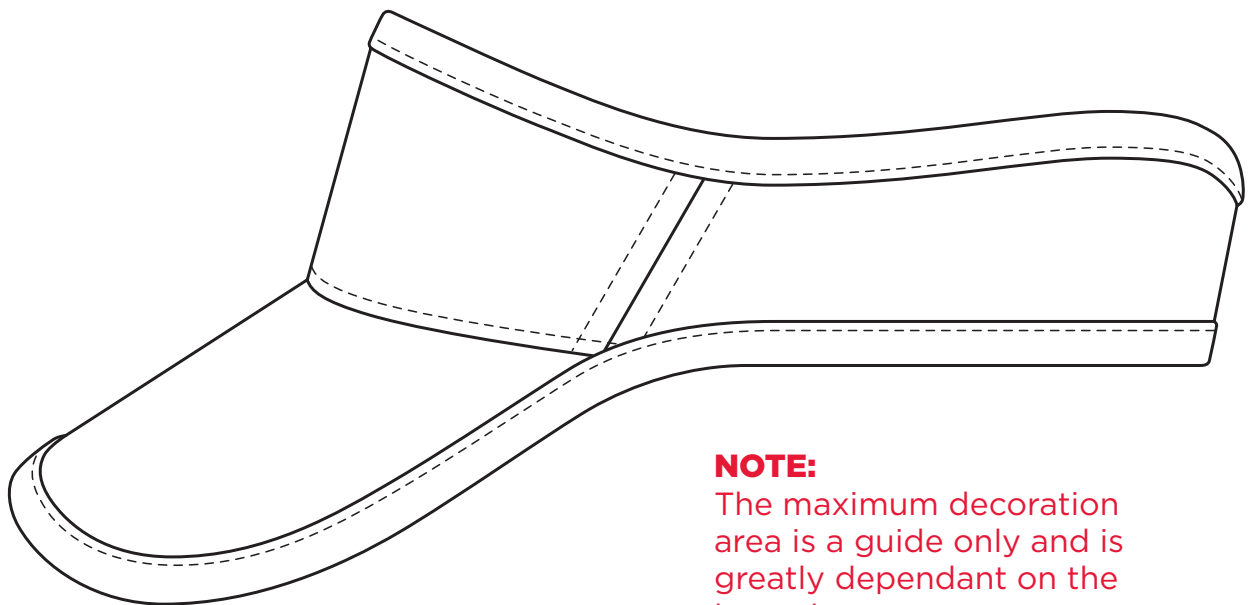
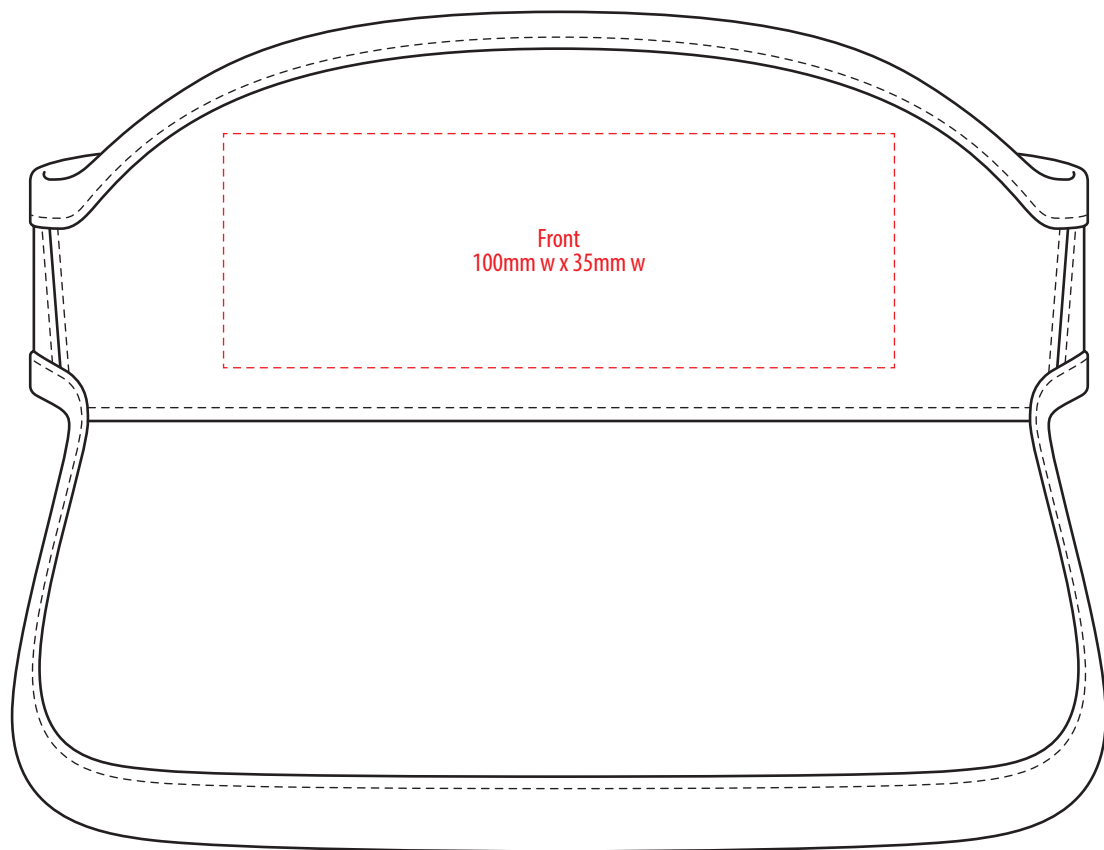


NOTE:
The maximum decoration area is a guide only and is greatly dependant on the logo shape.

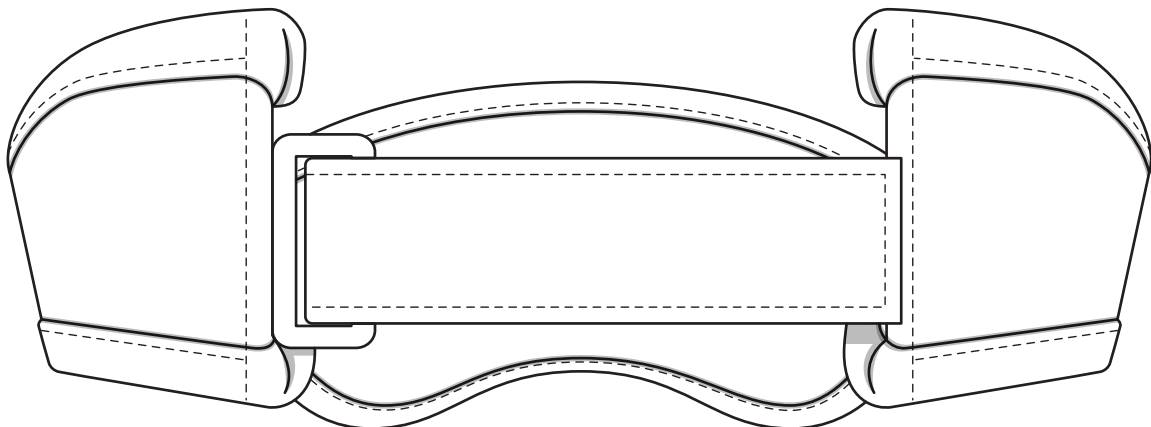


EMBROIDERY

4379





NOTE:
The maximum decoration area is a guide only and is greatly dependant on the logo shape.



SUPACLOUR

4379

FABRIC SWATCH

BLACK		BLACK
NAVY		PMS 2965 C
WHITE		WHITE
WHITE/ROYAL	 WHITE 	PMS 287 C

Pantone colours are provided as a reference only and are based on closest match. Actual product colour may differ. If a precise colour match is required we recommend ordering a sample.