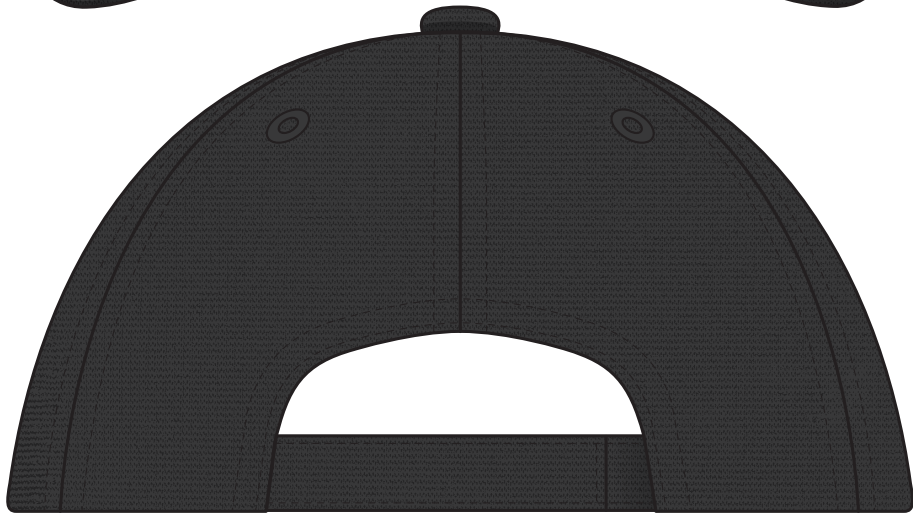
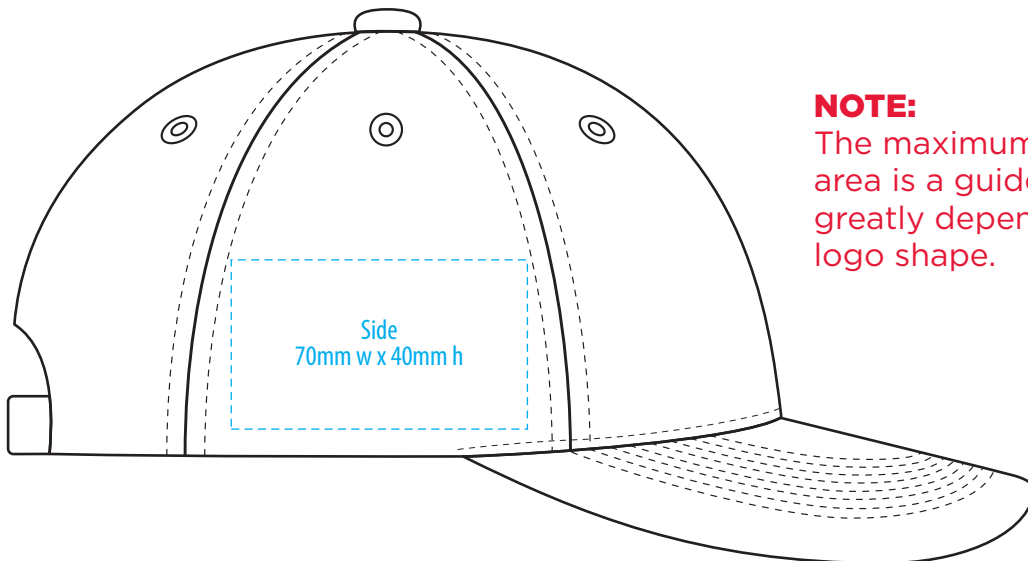
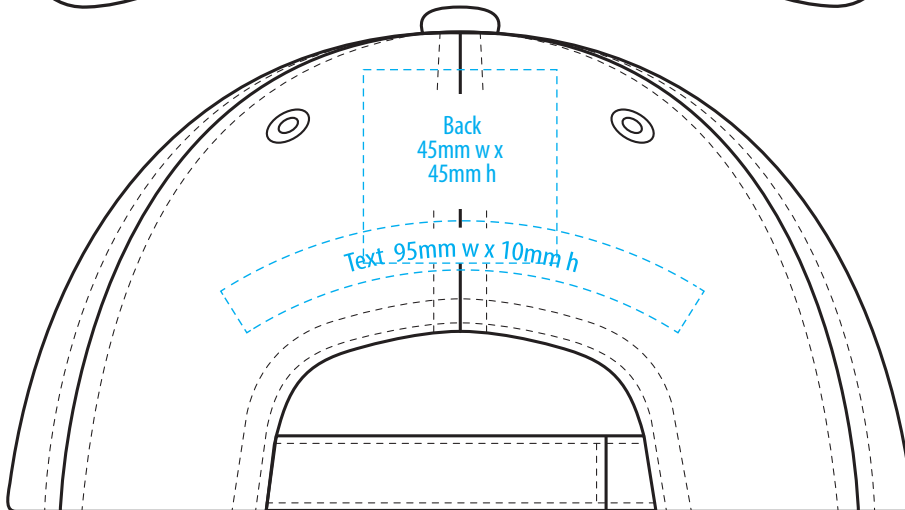
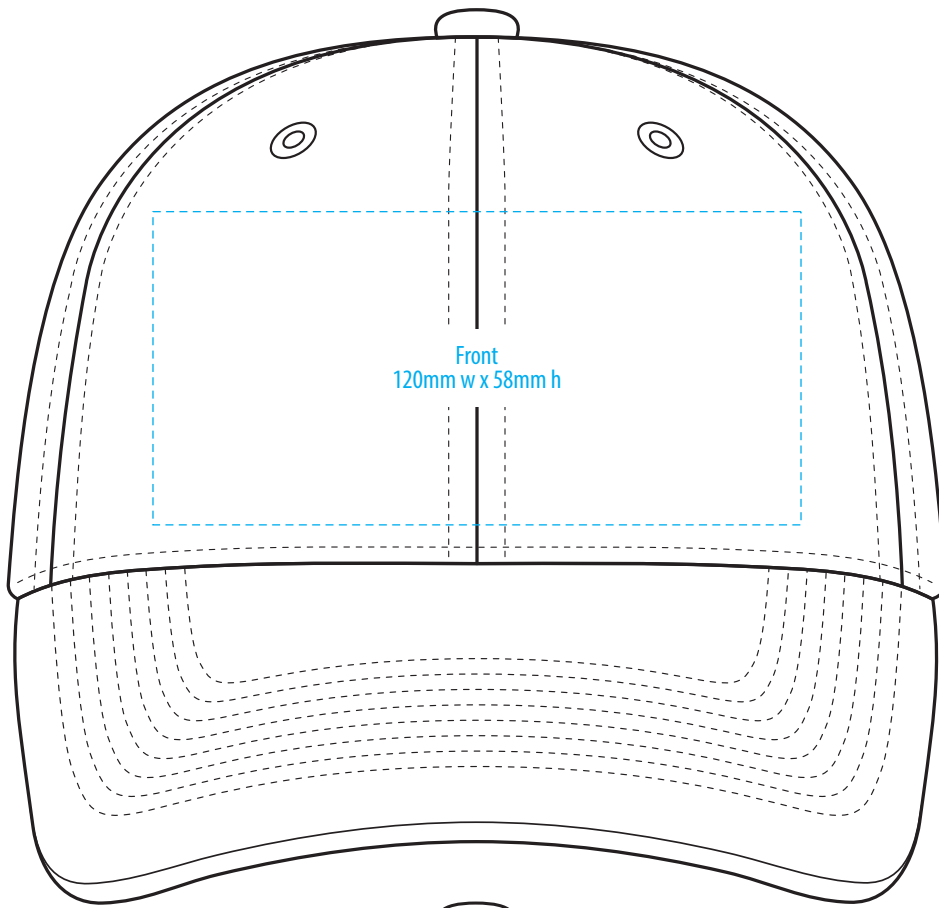


4380

COLOURWAYS



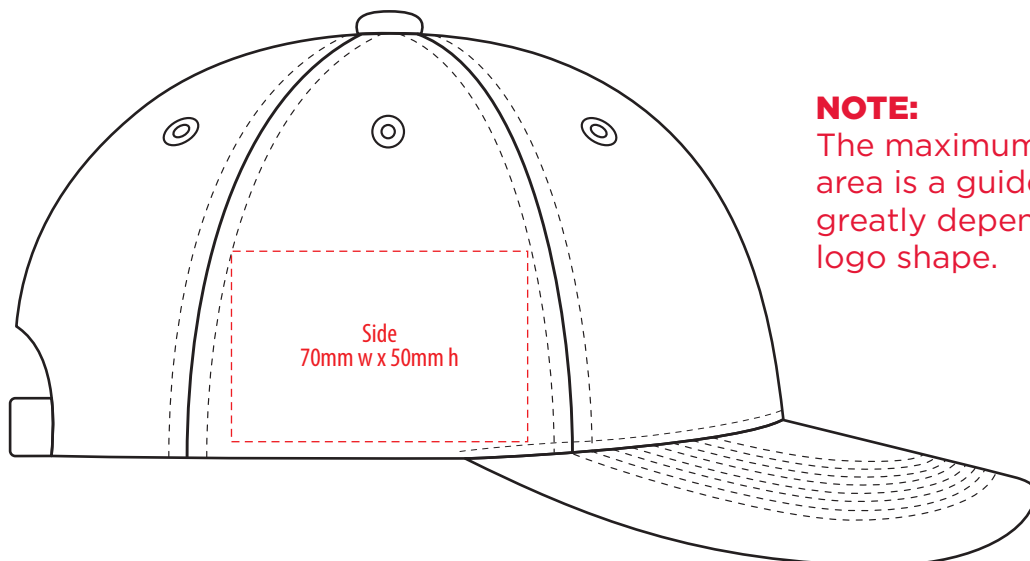
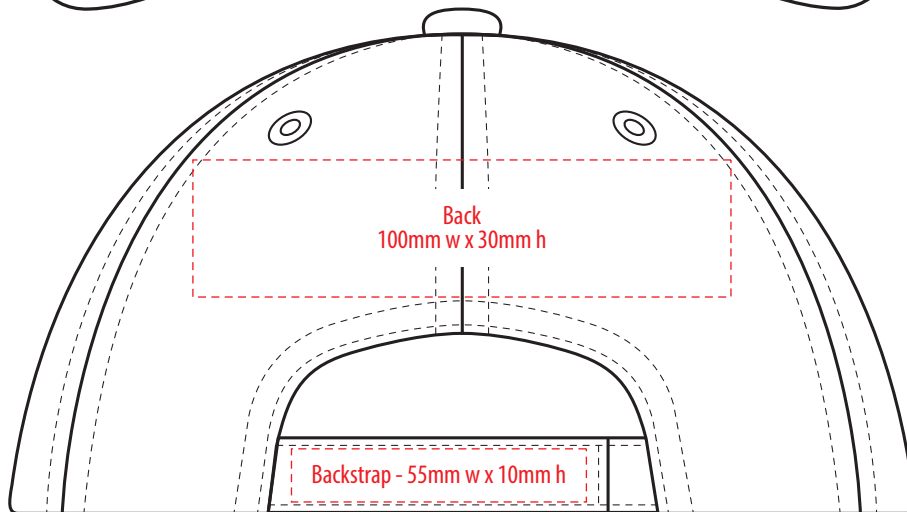
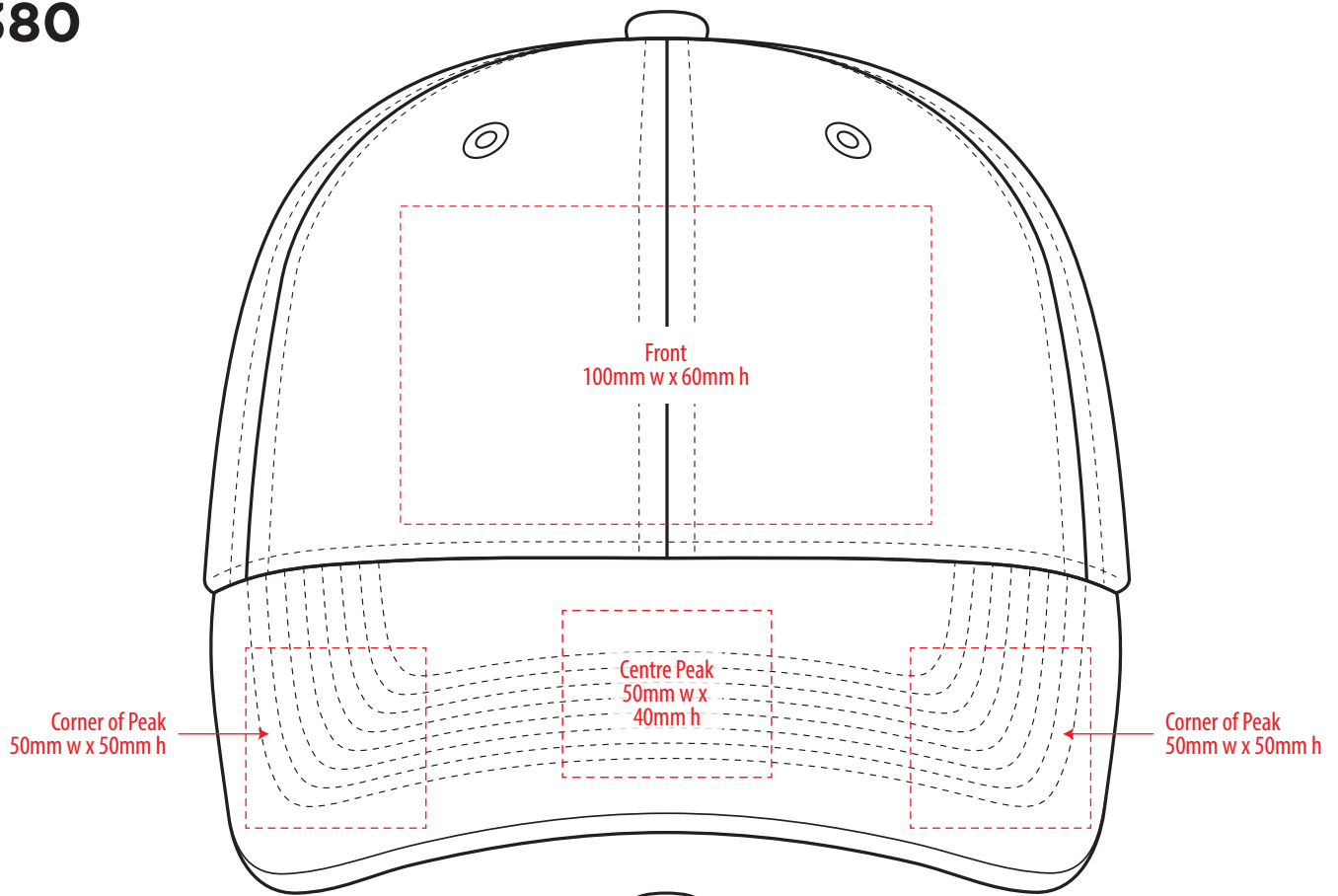
COLOUR



NOTE:

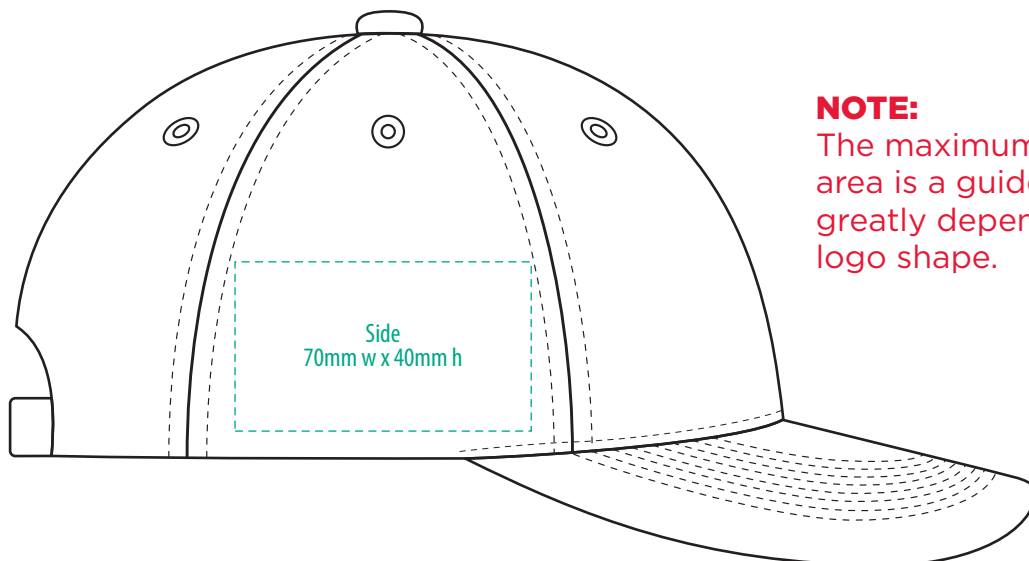
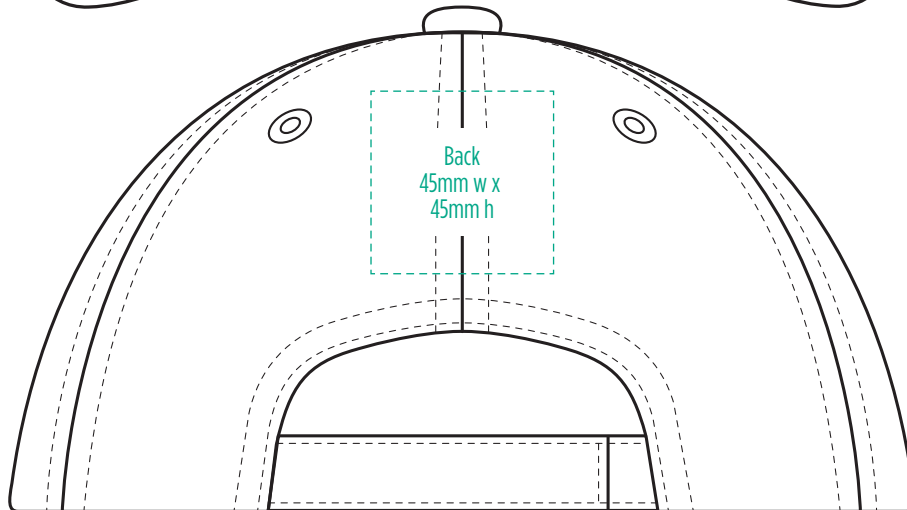
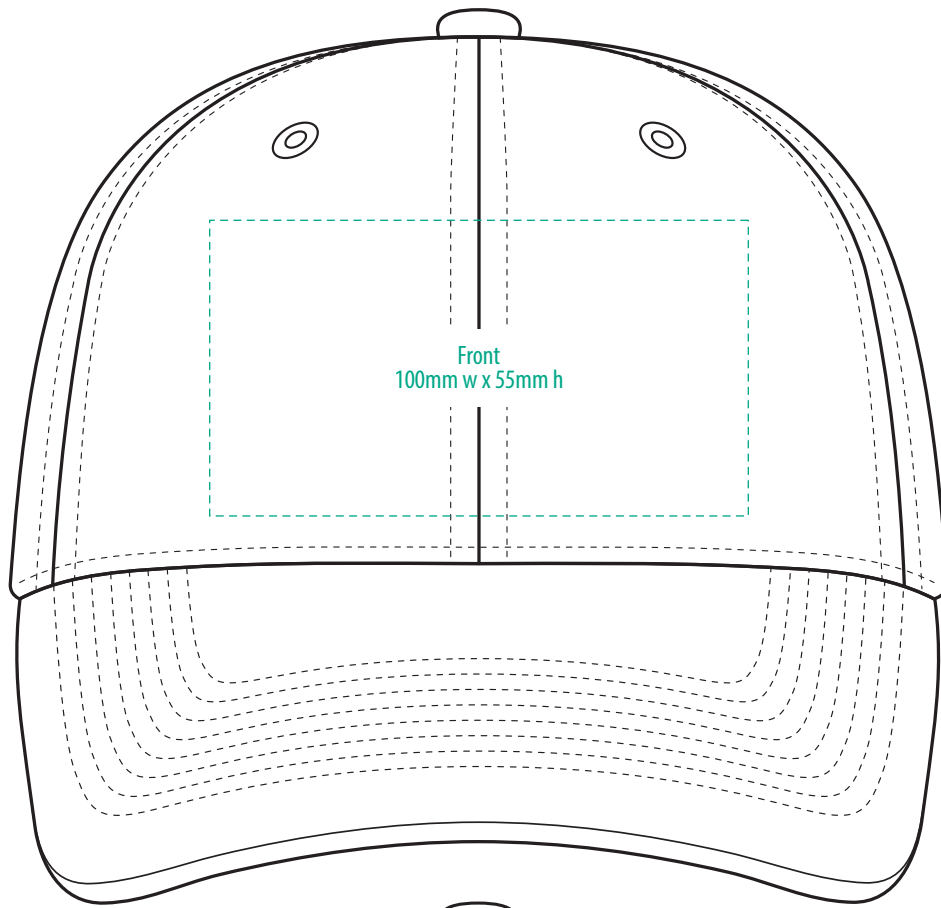
The maximum decoration area is a guide only and is greatly dependant on the logo shape.

EMBROIDERY



NOTE:
The maximum decoration area is a guide only and is greatly dependant on the logo shape.

4380



NOTE:

The maximum decoration area is a guide only and is greatly dependant on the logo shape.

SUPASUB / SUPAETCH / SUPAFLEX

[PATCH MUST BE AT LEAST 25MM X 25MM]

4380

FABRIC SWATCH

BLACK



BLACK

WHITE



WHITE

Pantone colours are provided as a reference only and are based on closest match. Actual product colour may differ. If a precise colour match is required we recommend ordering a sample.