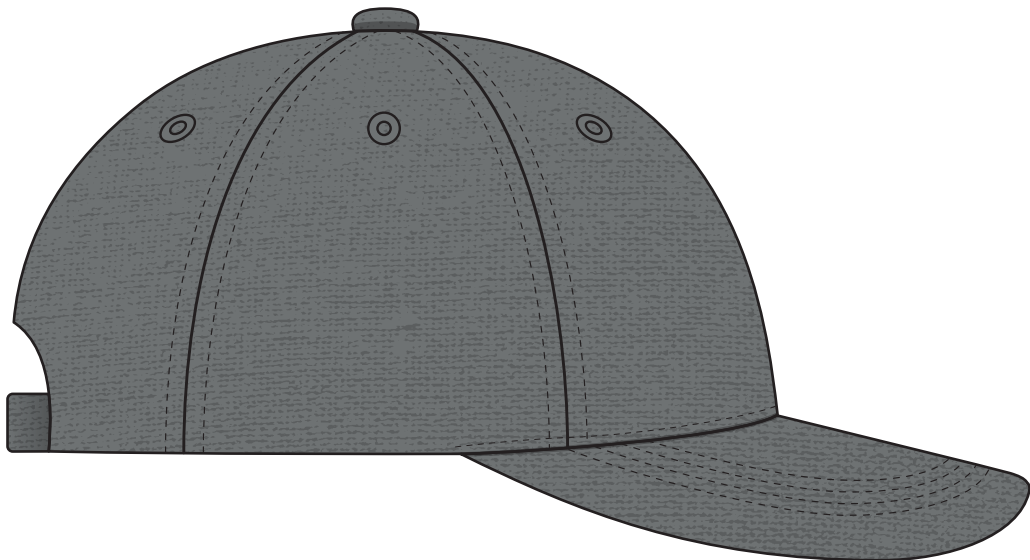
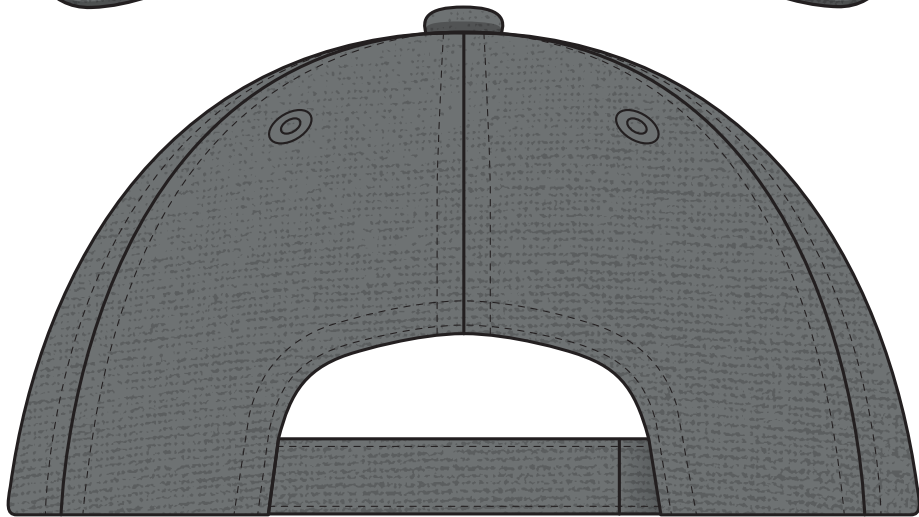
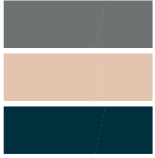
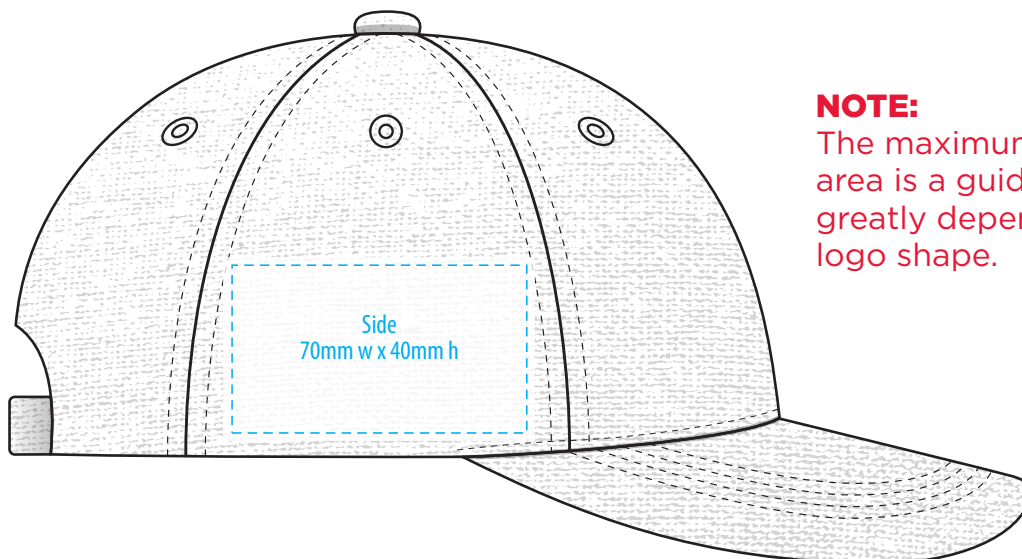
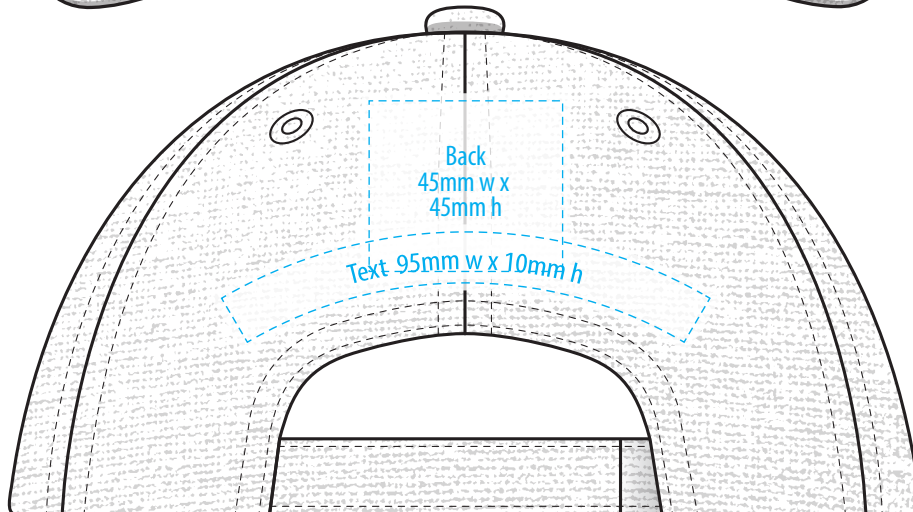
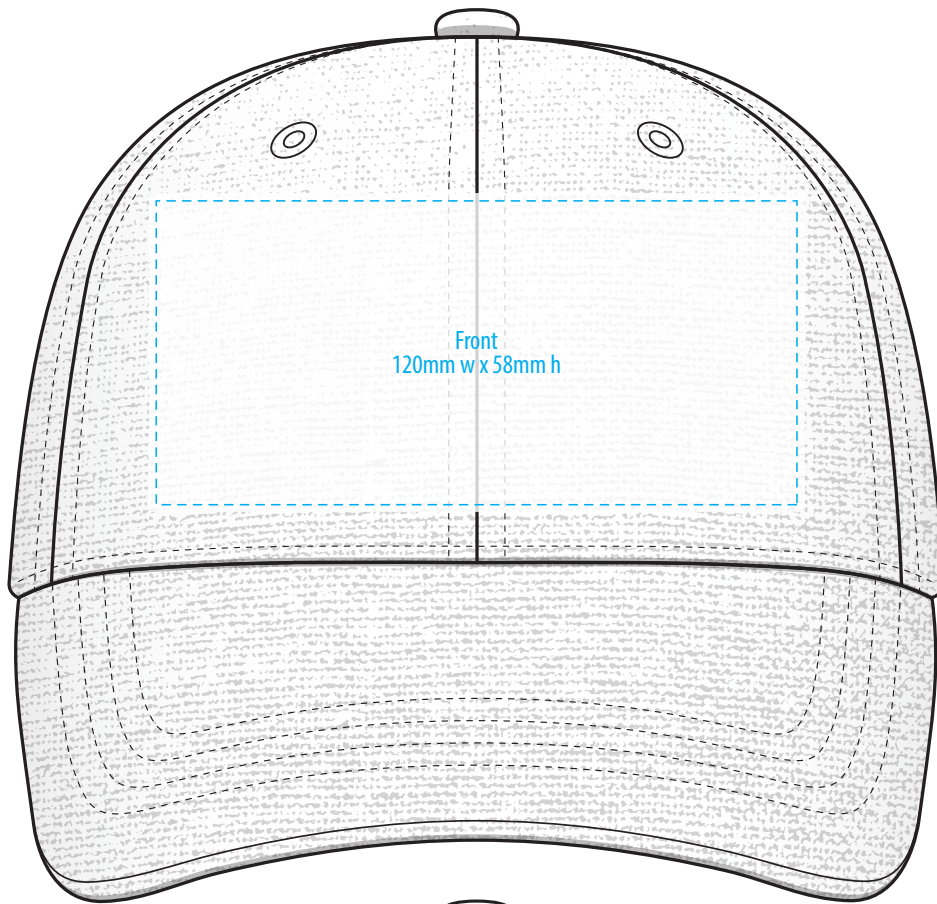


4383

COLOURWAYS

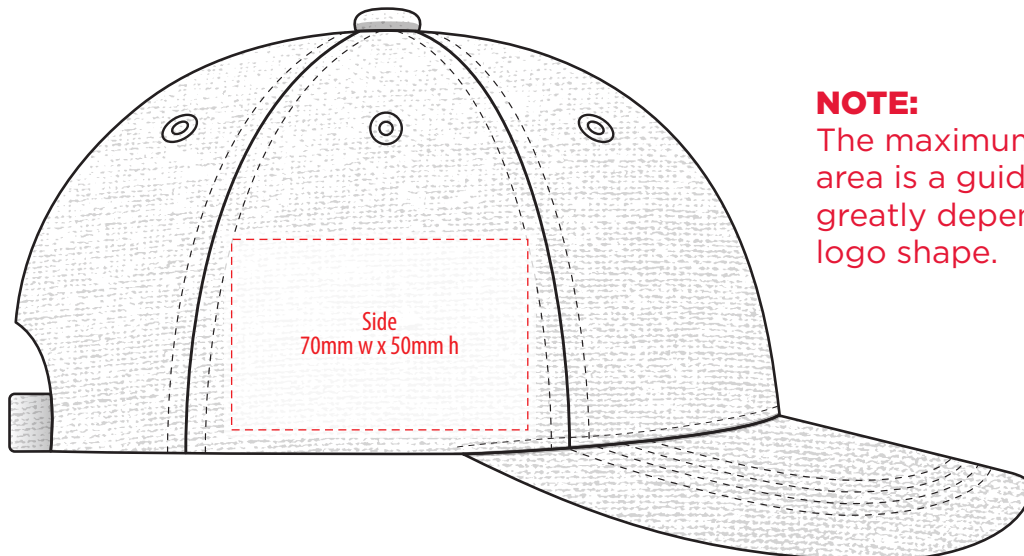
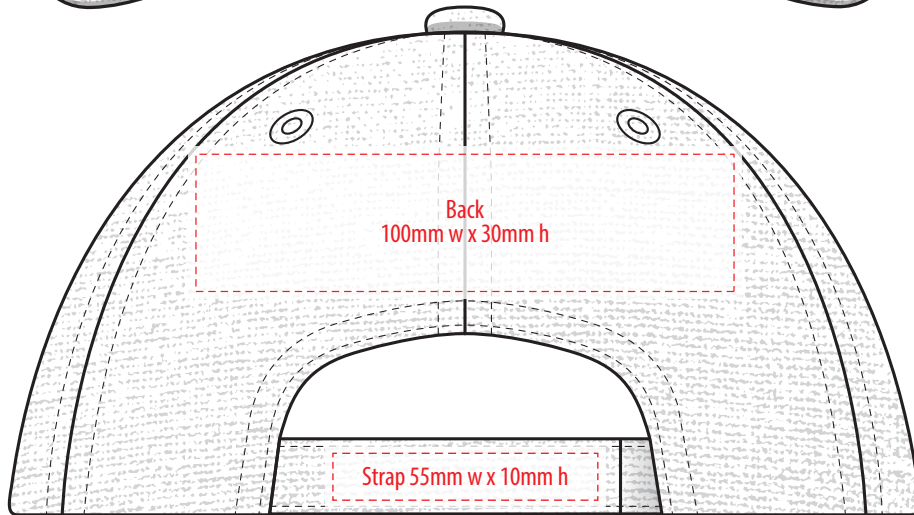
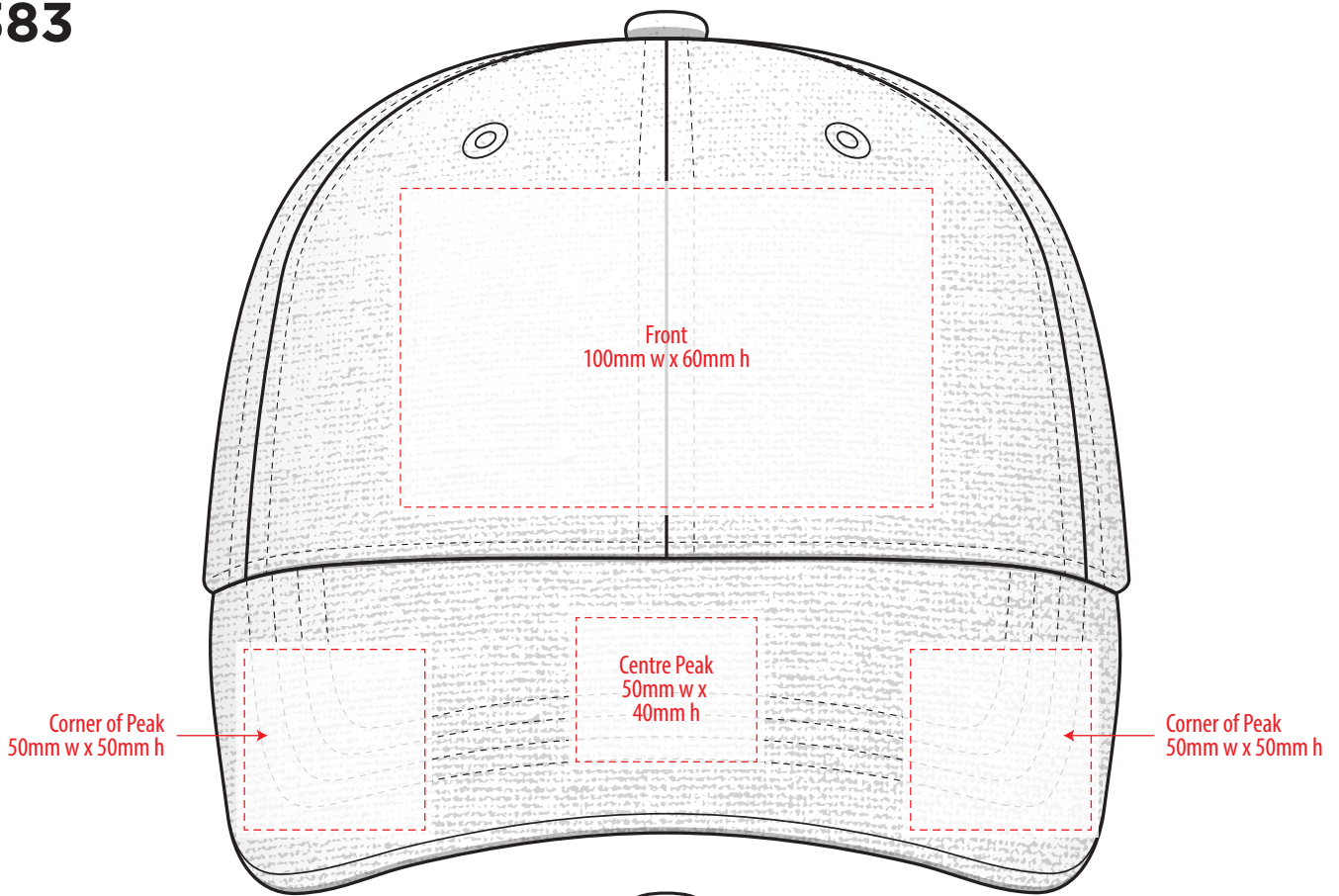


-----  
COLOUR



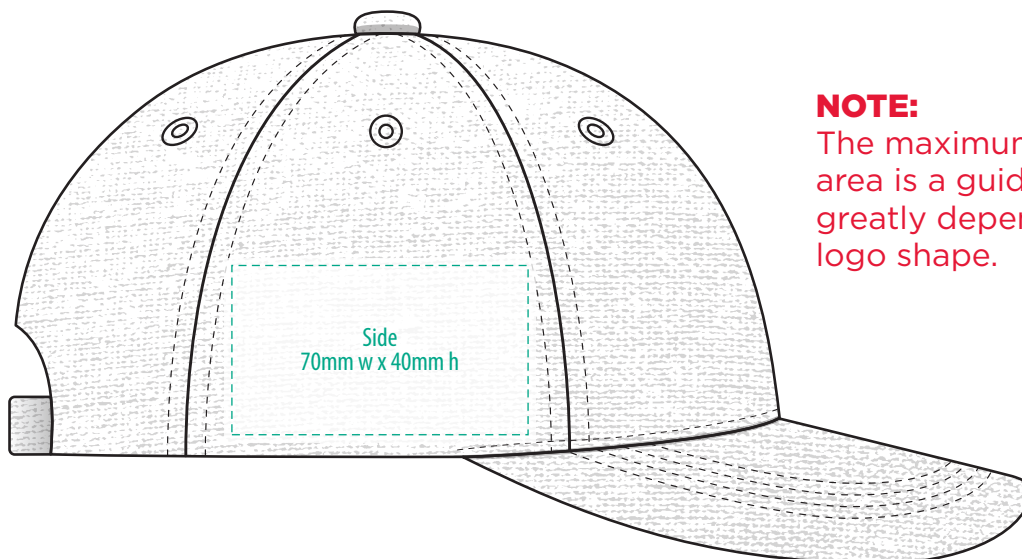
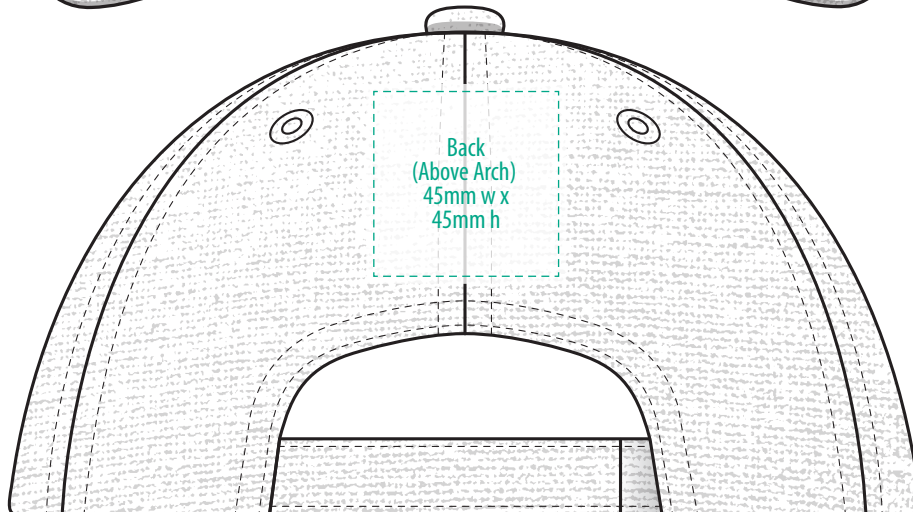
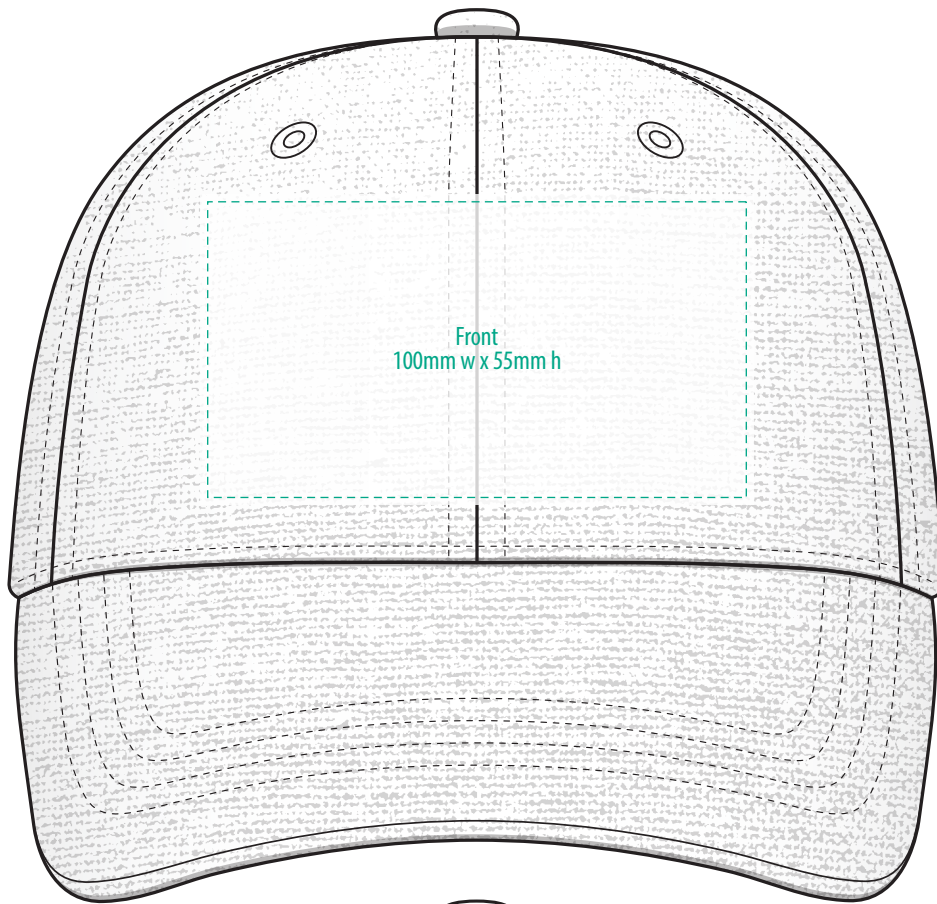
**NOTE:**  
The maximum decoration area is a guide only and is greatly dependant on the logo shape.

-----  
EMBROIDERY



**NOTE:**  
The maximum decoration area is a guide only and is greatly dependant on the logo shape.





**NOTE:**  
The maximum decoration area is a guide only and is greatly dependant on the logo shape.

SUPASUB / SUPAETCH / SUPAFLEX

[ PATCH MUST BE AT LEAST 25MM X 25MM ]

# 4383

# FABRIC SWATCH

**CHARCOAL**



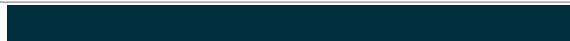
PMS 424 C

**NATURAL**



PMS 4685 C

**NAVY**



PMS 547 C

Pantone colours are provided as a reference only and are based on closest match. Actual product colour may differ. If a precise colour match is required we recommend ordering a sample.