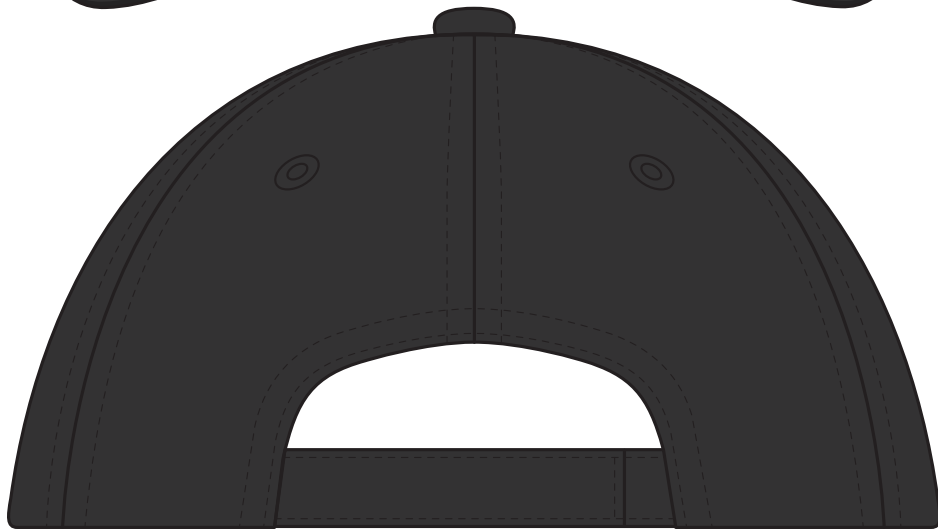
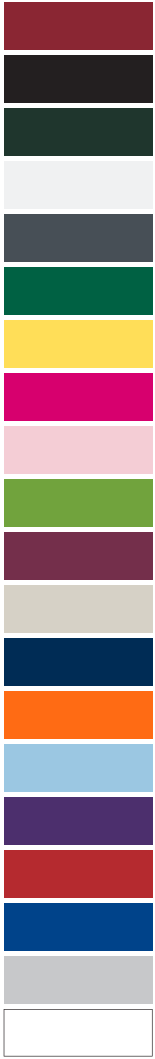


8000

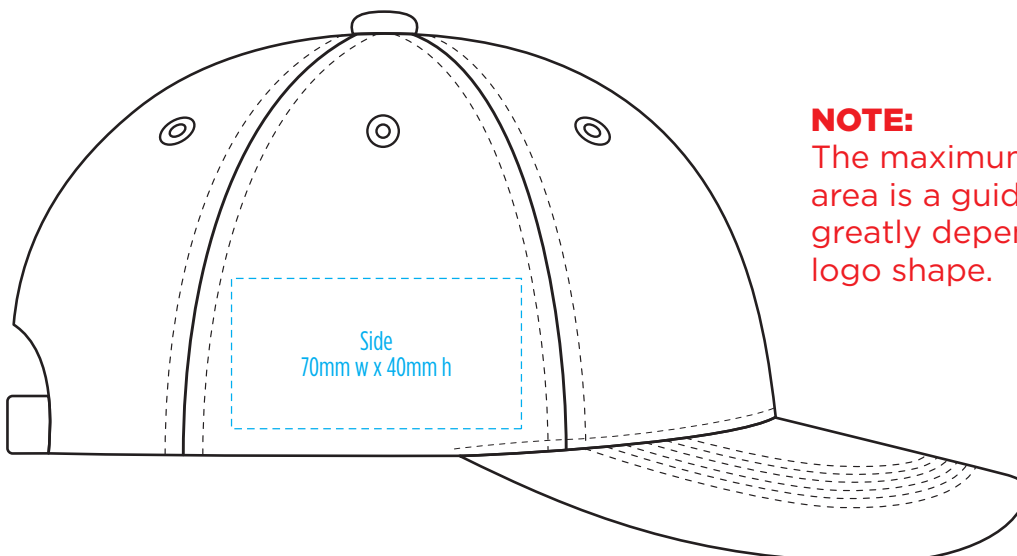
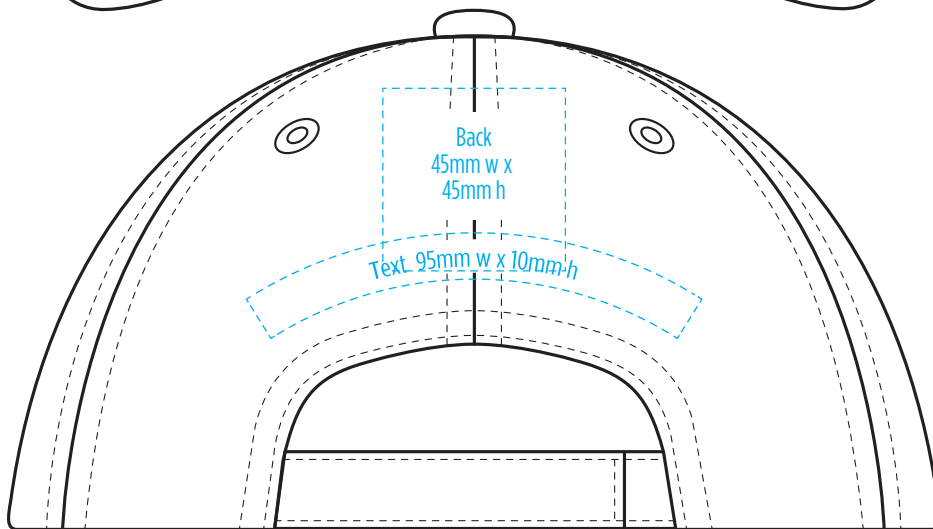
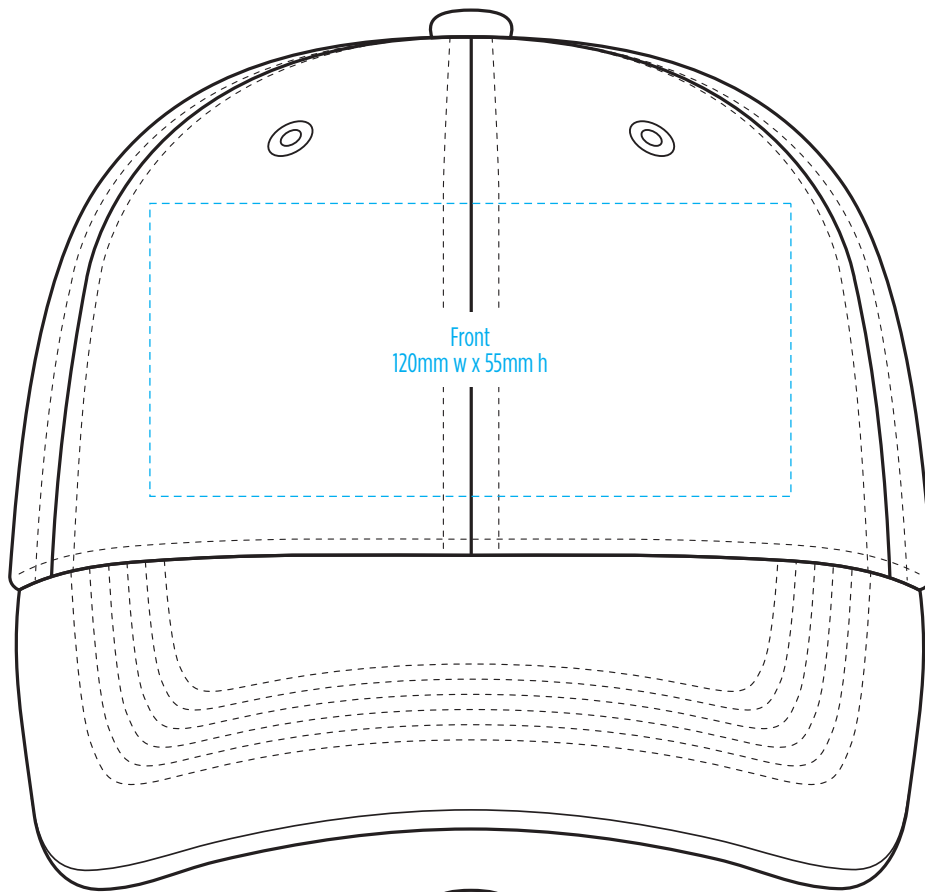
COLOURWAYS



COLOUR

[PATCH MUST BE AT LEAST 25MM X 25MM]

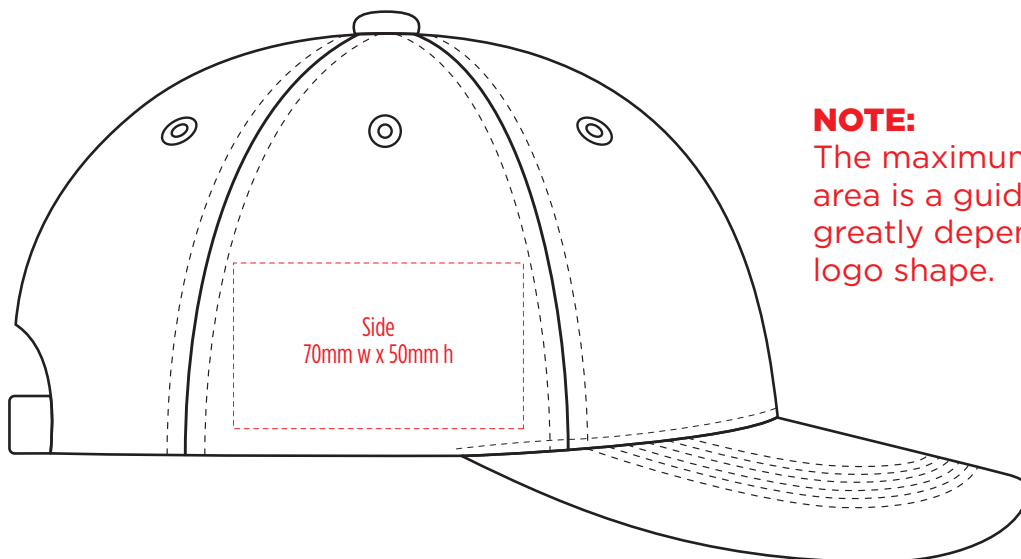
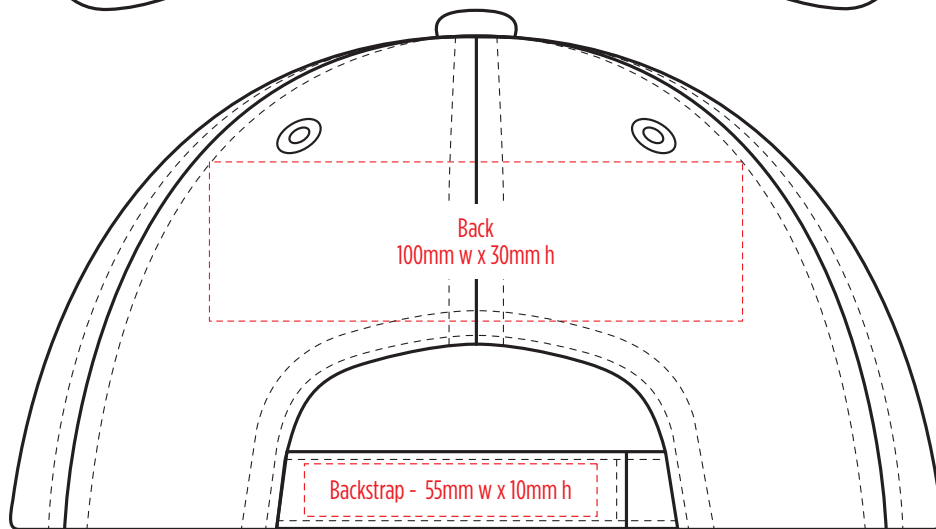
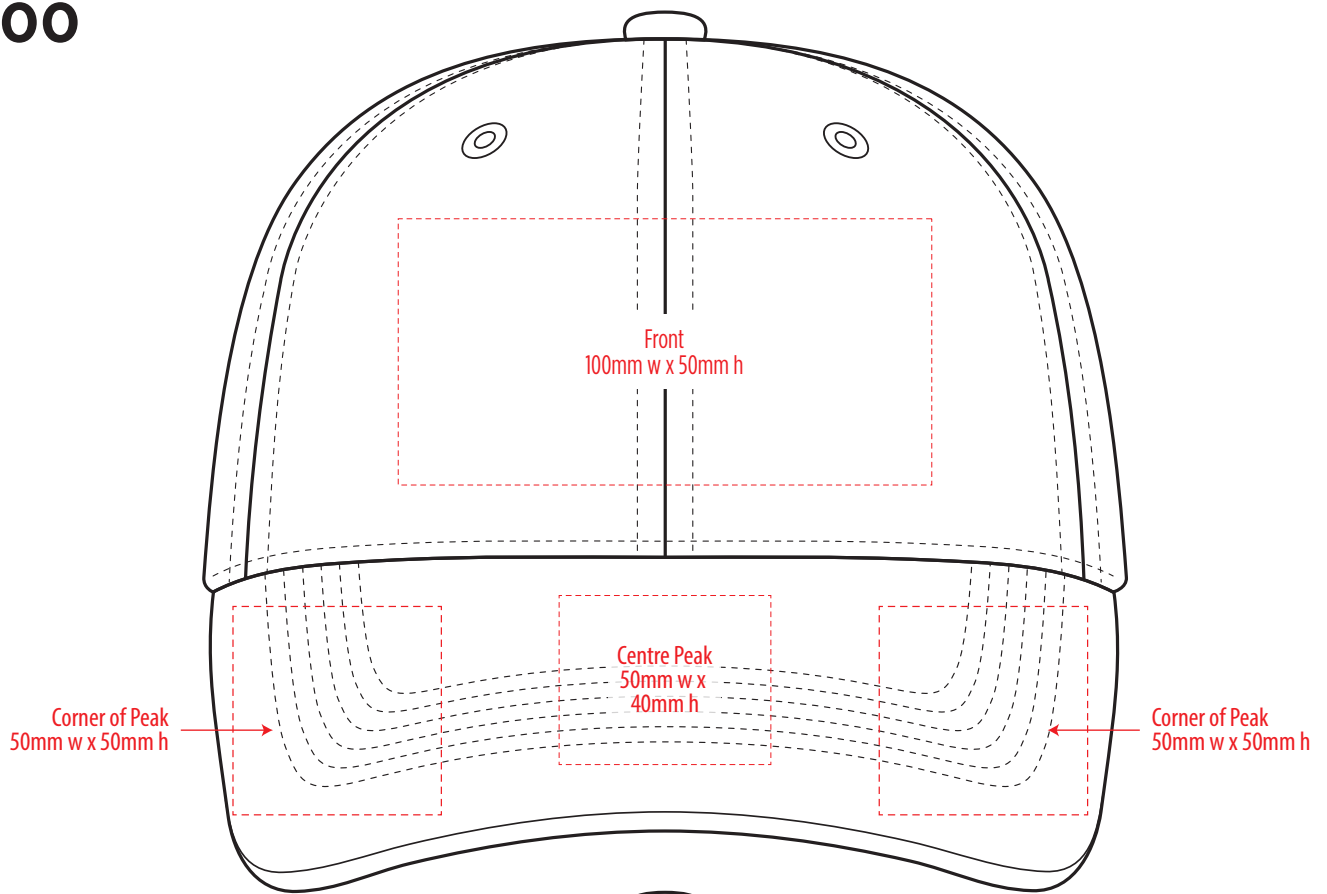
8000



NOTE:
The maximum decoration area is a guide only and is greatly dependant on the logo shape.

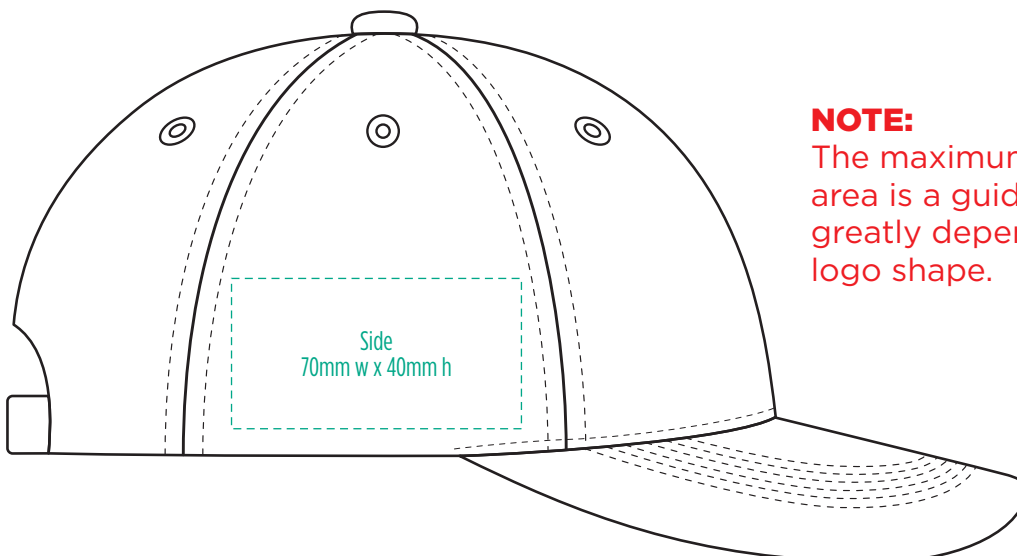
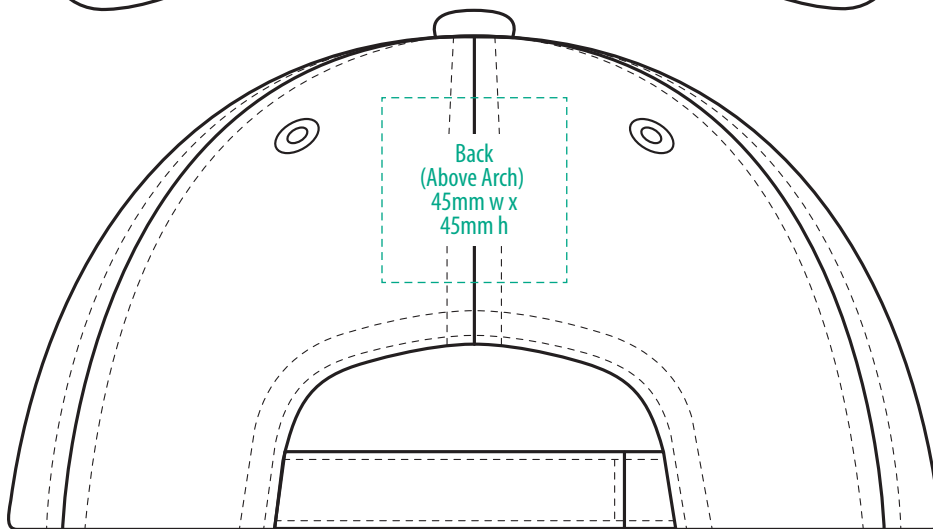
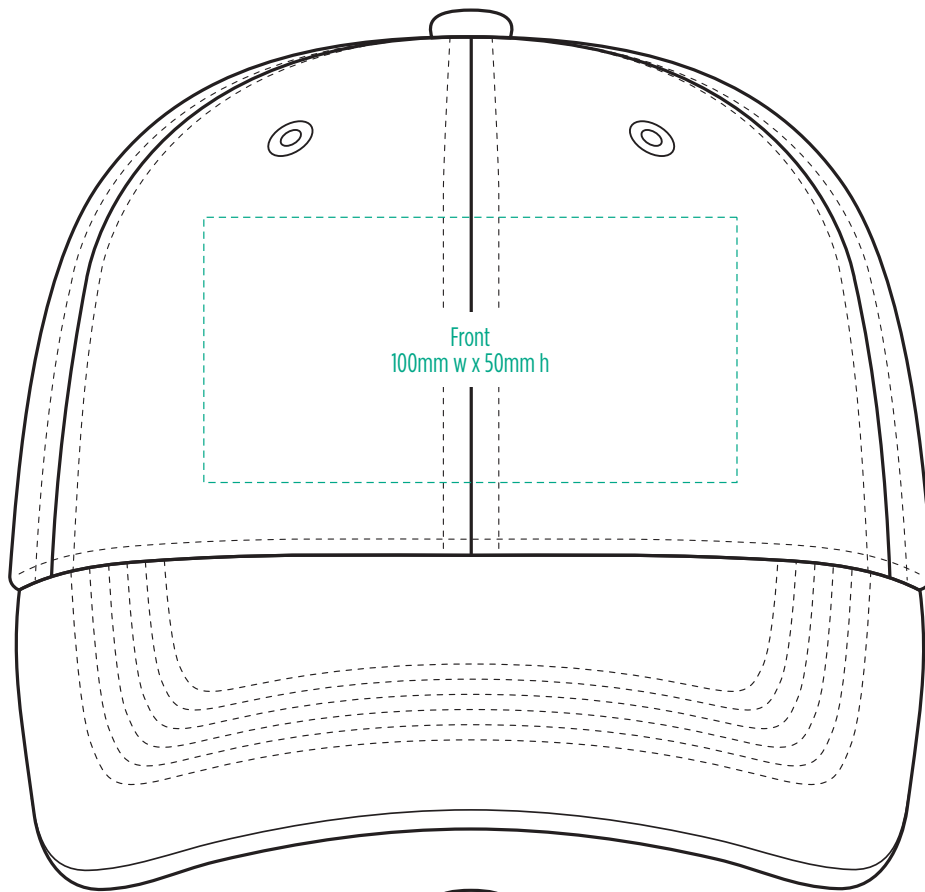
EMBROIDERY

8000



NOTE:
The maximum decoration area is a guide only and is greatly dependant on the logo shape.

8000






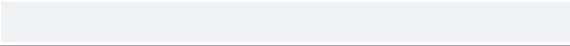
















NOTE:
The maximum decoration area is a guide only and is greatly dependant on the logo shape.

SUPASUB / SUPAETCH / SUPAFLEX

[PATCH MUST BE AT LEAST 25MM X 25MM]

8000

FABRIC SWATCH

| | | |
|-----------------------|--|-------------------|
| ANTIQUE CHERRY |  | PMS 202 C |
| BLACK |  | BLACK |
| BOTTLE |  | PMS 5605 C |
| CHALK WHITE |  | PMS Cool Grey 1 C |
| CHARCOAL |  | PMS 7540C |
| EMERALD |  | PMS 3425 C |
| GOLD |  | PMS 113 C |
| HOT PINK |  | PMS 226 C |
| LIGHT PINK |  | PMS 7422 C |
| LIME |  | PMS 7737 C |
| MAROON |  | PMS 7642 C |
| NATURAL |  | PMS 7527 C |
| NAVY |  | PMS 296 C |
| ORANGE |  | PMS 1585 C |
| POWDER BLUE |  | PMS 543 |
| PURPLE |  | PMS 269 C |
| RED |  | PMS 1805 C |
| ROYAL |  | PMS 7687 C |
| SILVER |  | PMS Cool Grey 3 C |
| WHITE |  | WHITE |

Pantone colours are provided as a reference only and are based on closest match. Actual product colour may differ. If a precise colour match is required we recommend ordering a sample.