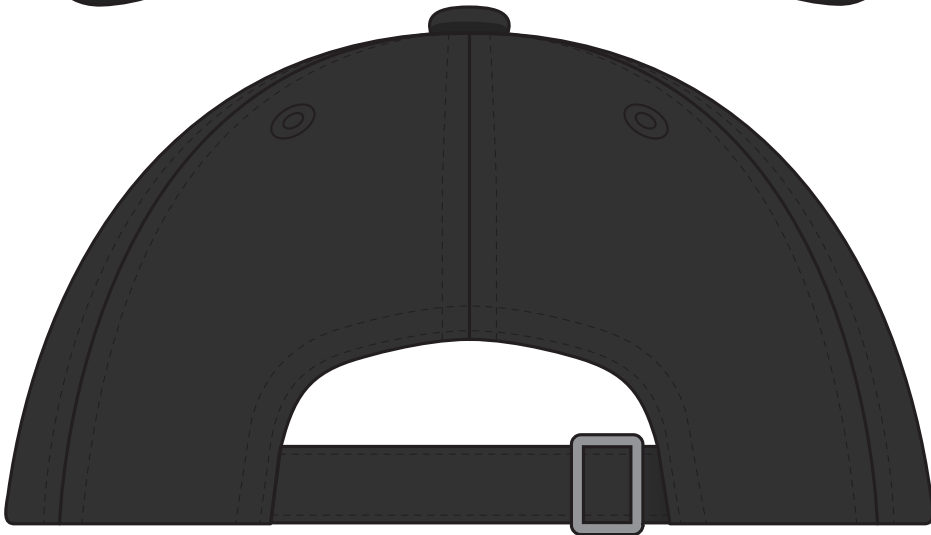
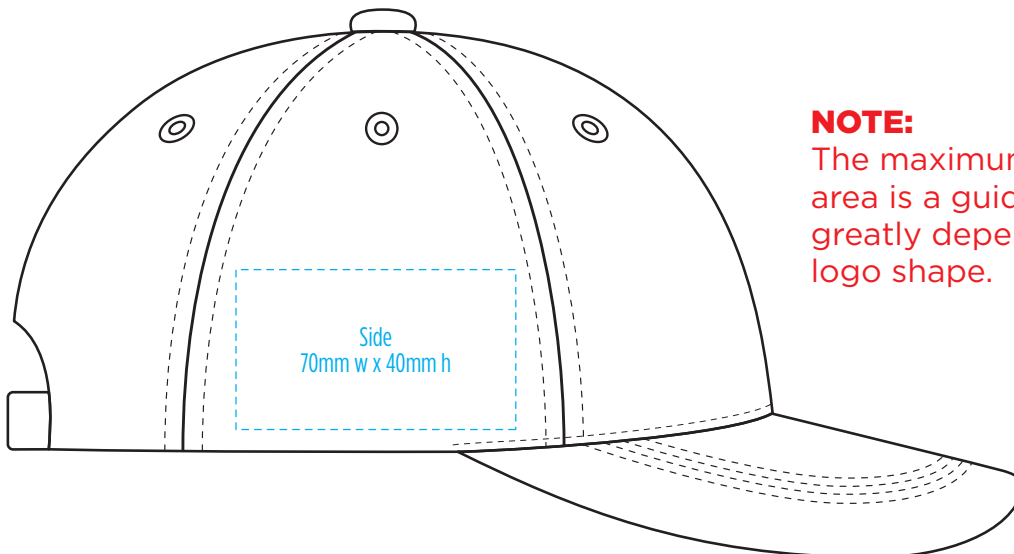
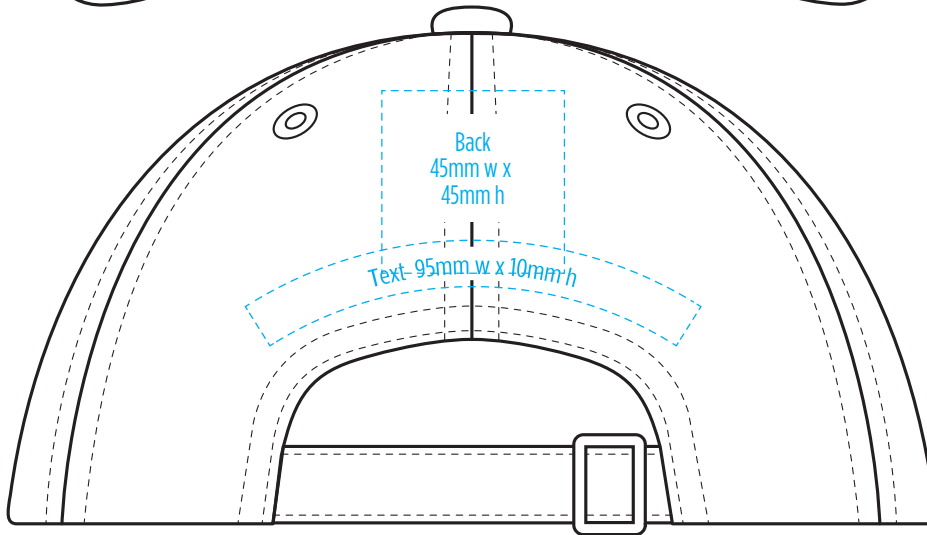
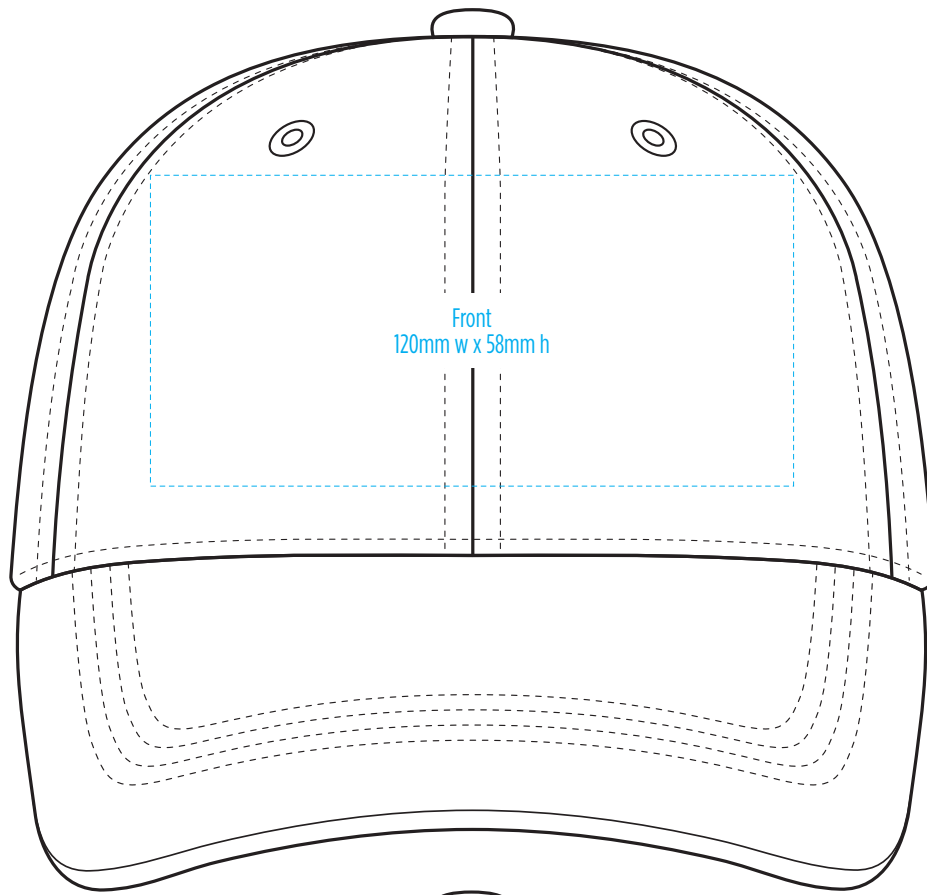


8888

COLOURWAYS

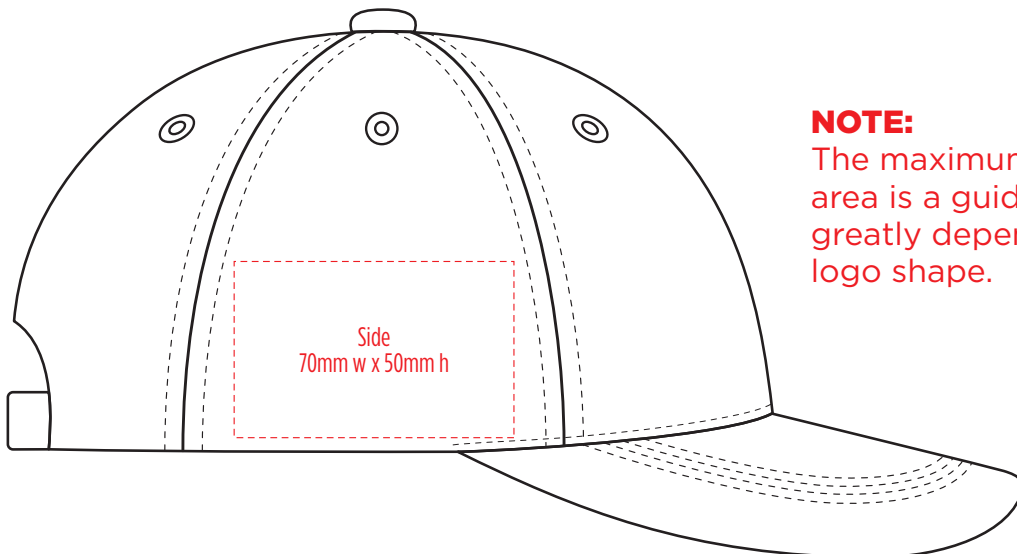
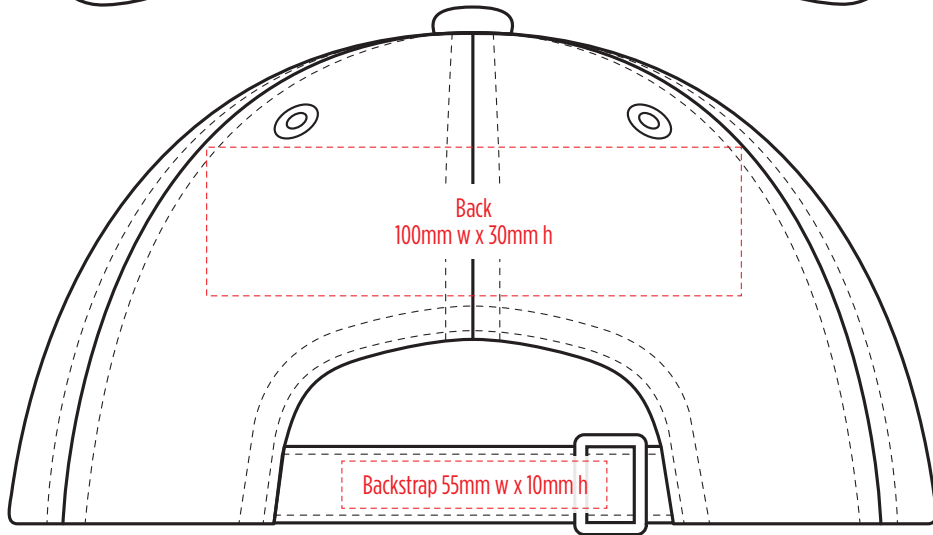
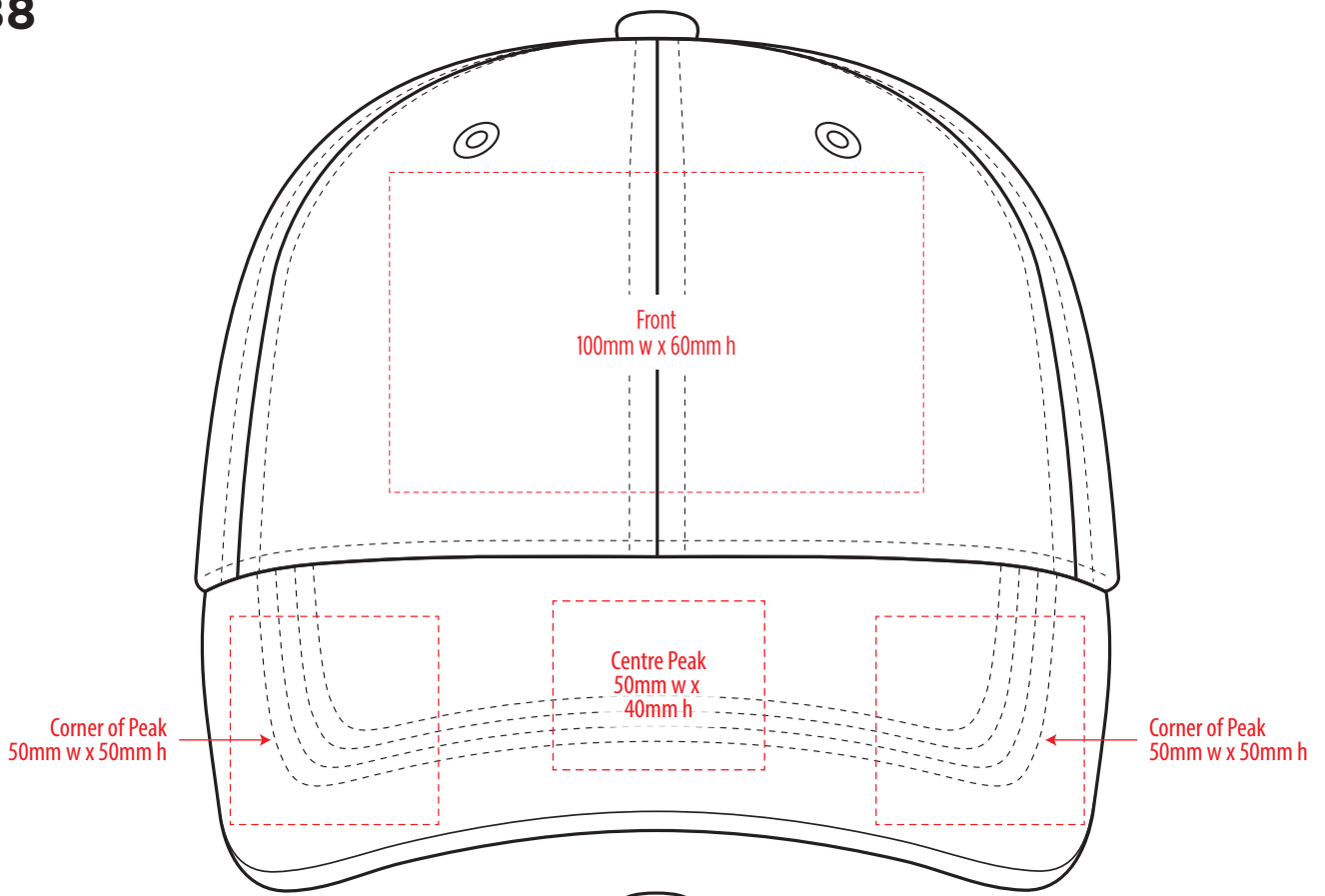


COLOUR

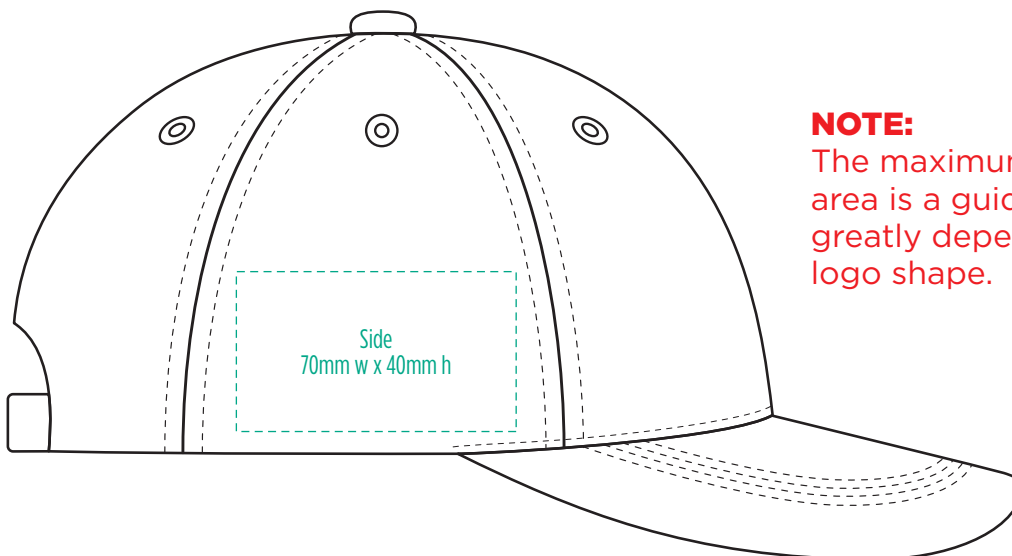
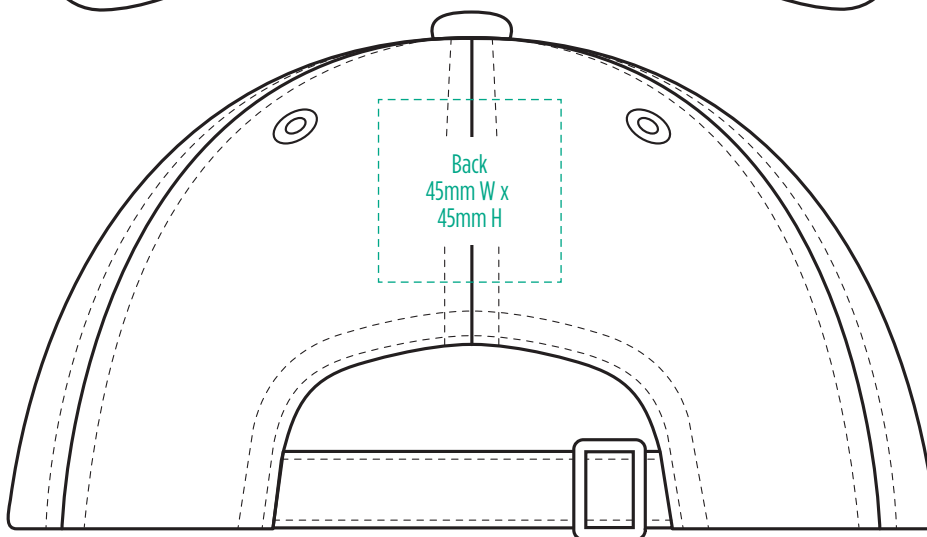
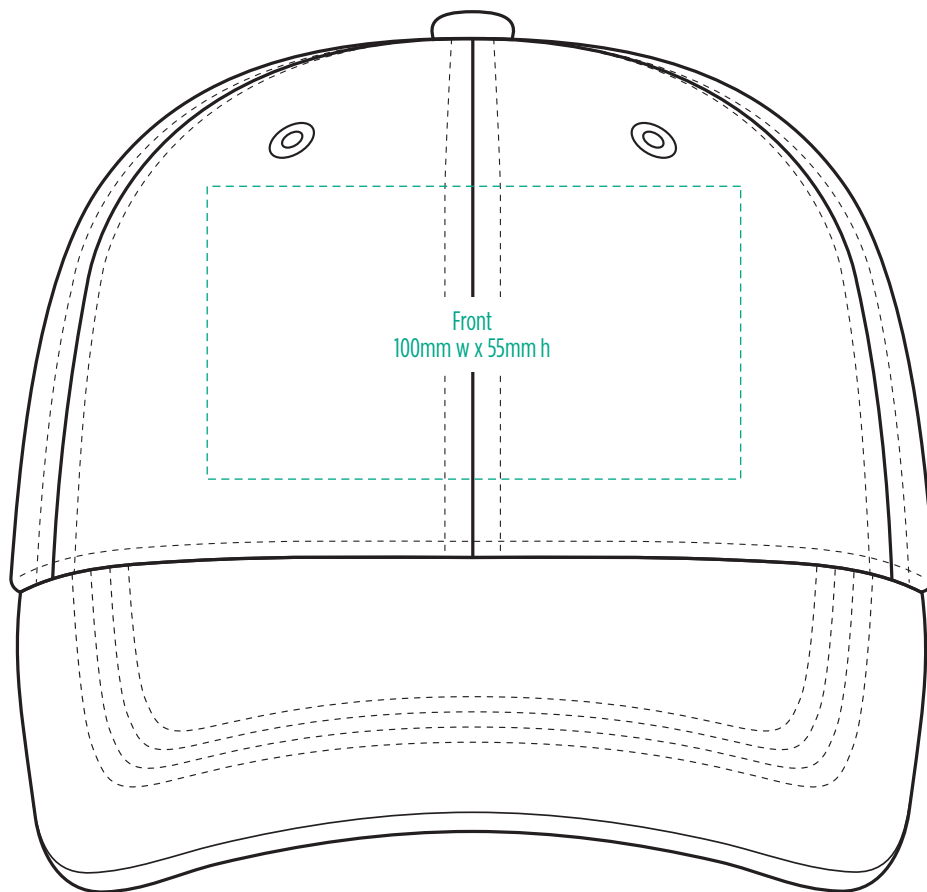


NOTE:
The maximum decoration area is a guide only and is greatly dependant on the logo shape.

EMBROIDERY



NOTE:
The maximum decoration area is a guide only and is greatly dependant on the logo shape.



NOTE:
The maximum decoration area is a guide only and is greatly dependant on the logo shape.

SUPASUB / SUPAETCH / SUPAFLEX

[PATCH MUST BE AT LEAST 25MM X 25MM]

8888

FABRIC SWATCH

BLACK/BLACK



BLACK



BLACK

NAVY/NAVY



PMS 296 C



PMS 296 C

Pantone colours are provided as a reference only and are based on closest match. Actual product colour may differ. If a precise colour match is required we recommend ordering a sample.