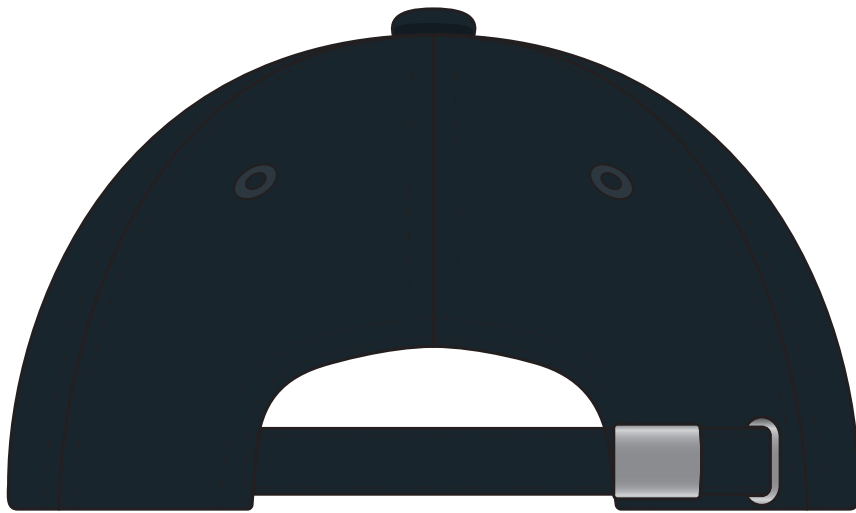
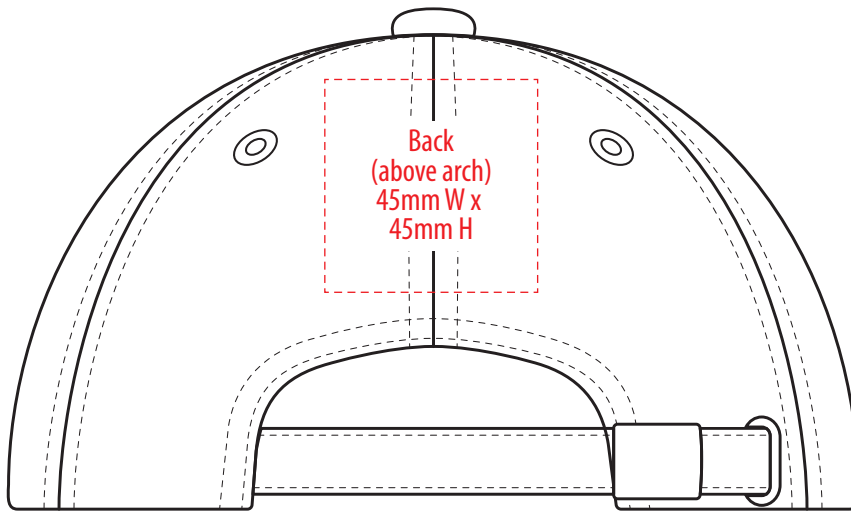
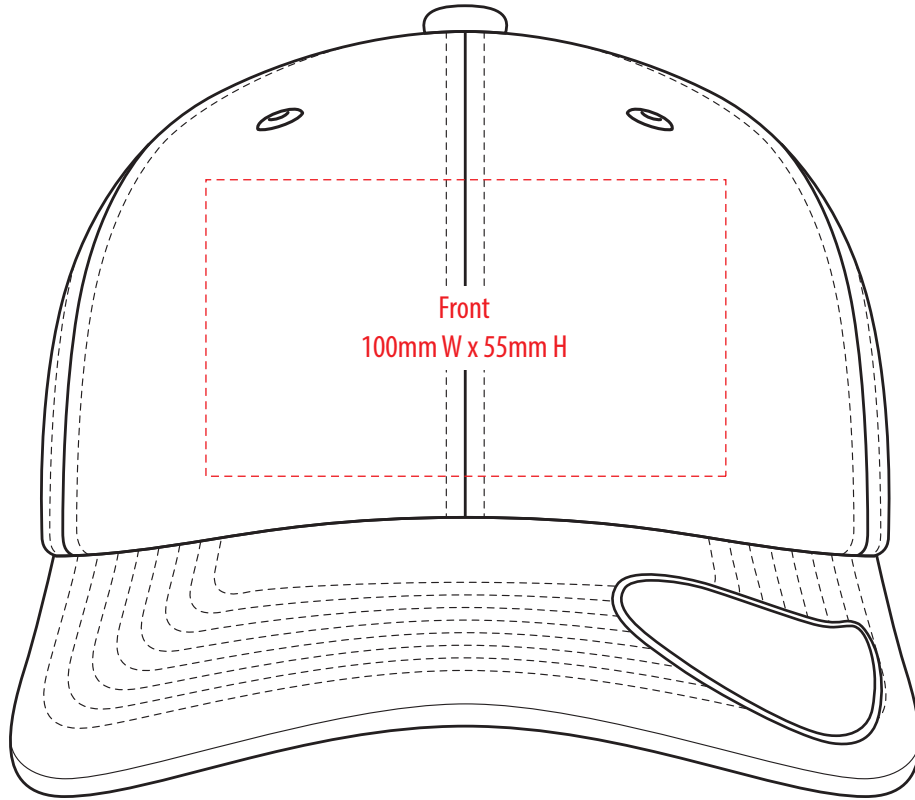


**A1000**



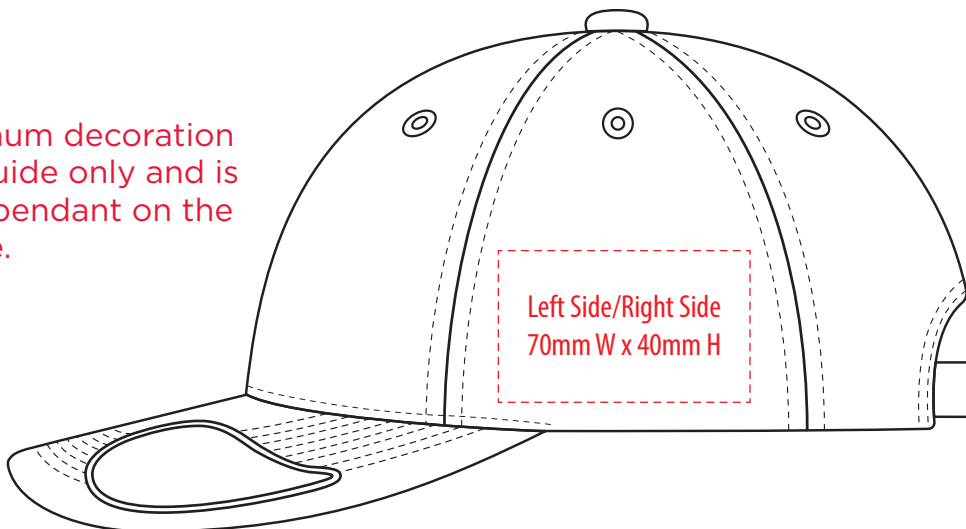
-----  
COLOUR

# A1000



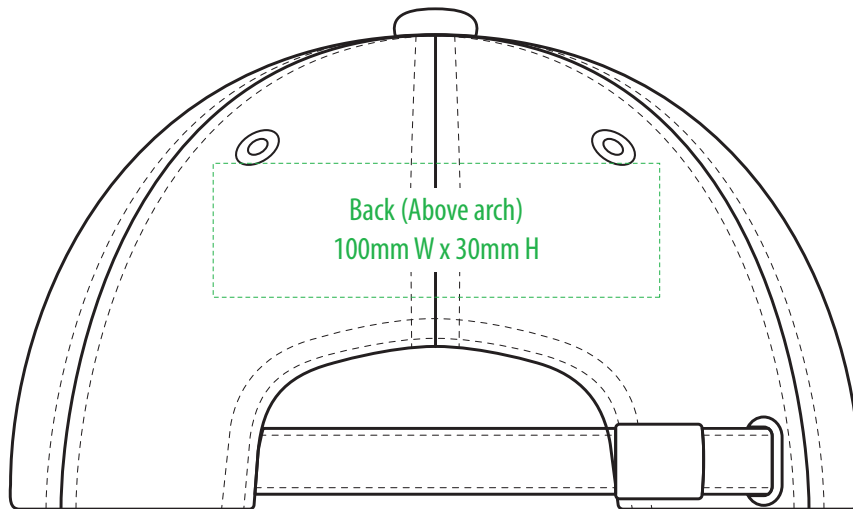
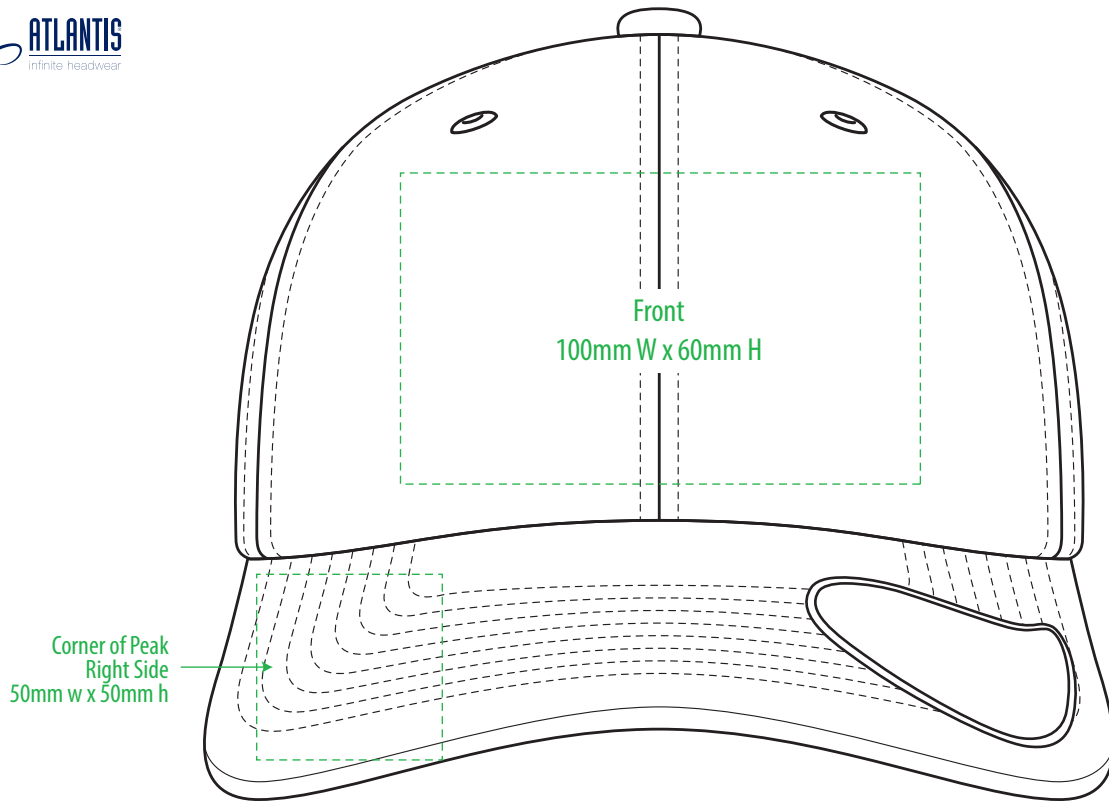
**NOTE:**

The maximum decoration area is a guide only and is greatly dependant on the logo shape.



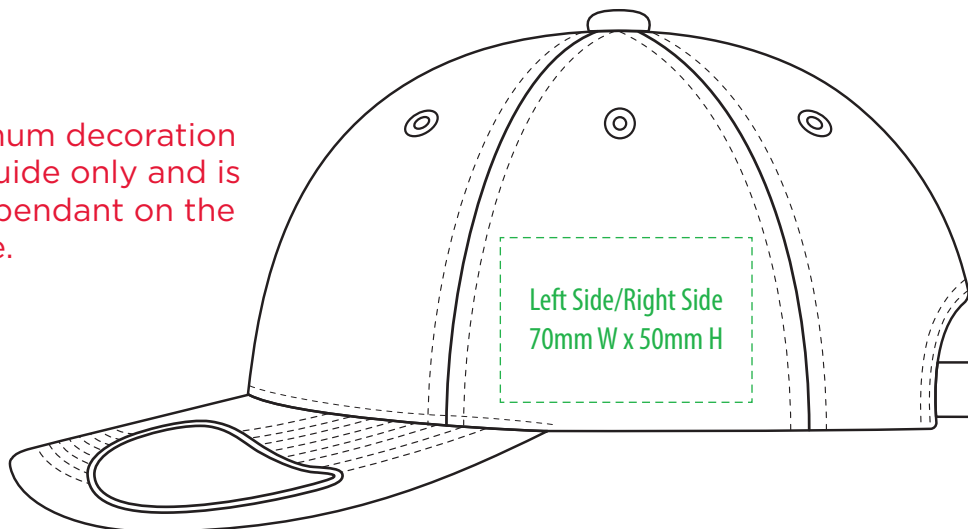
-----  
SUPASUB/SUPAETCH/SUPAFLEX

# A1000



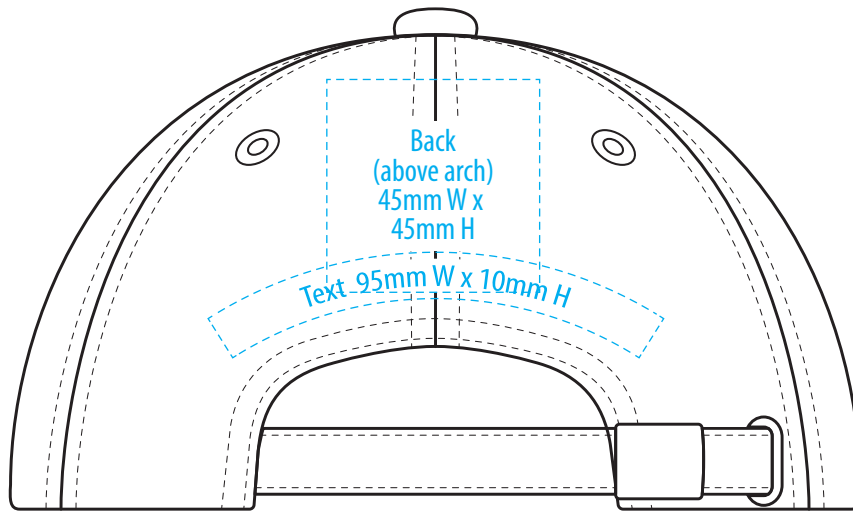
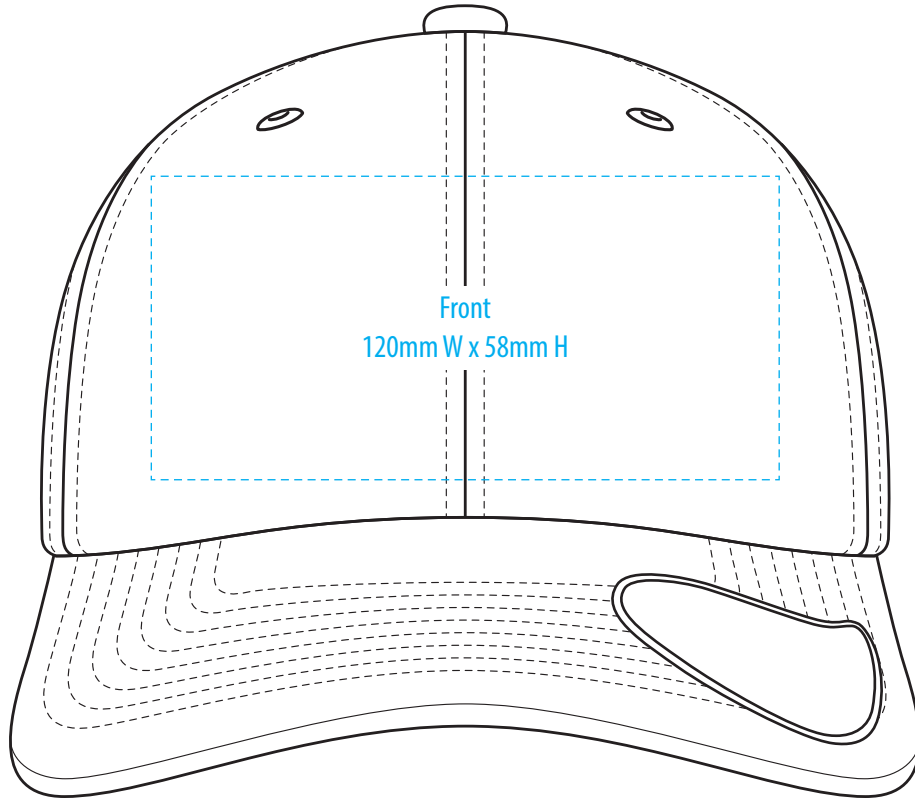
**NOTE:**

The maximum decoration area is a guide only and is greatly dependant on the logo shape.



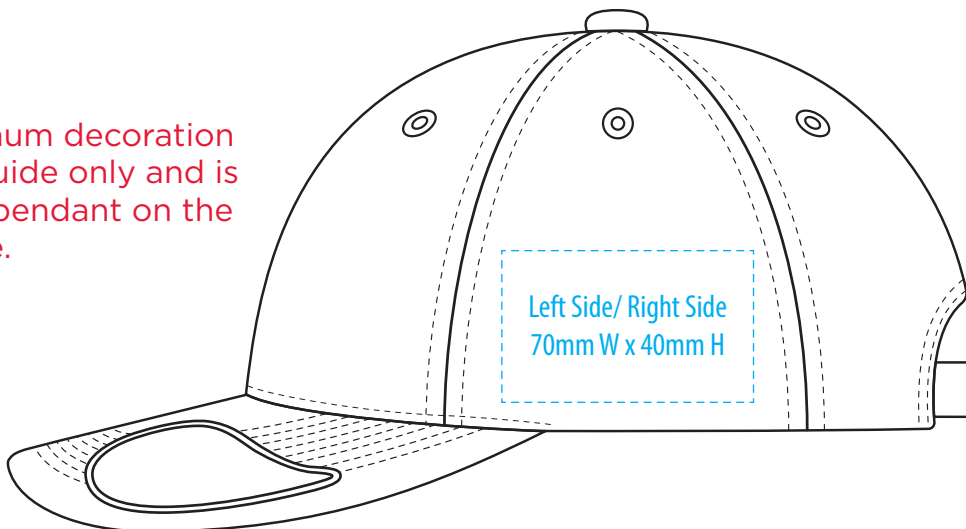
-----  
SUPACOLOUR

# A1000



**NOTE:**

The maximum decoration area is a guide only and is greatly dependant on the logo shape.



-----  
EMBROIDERY