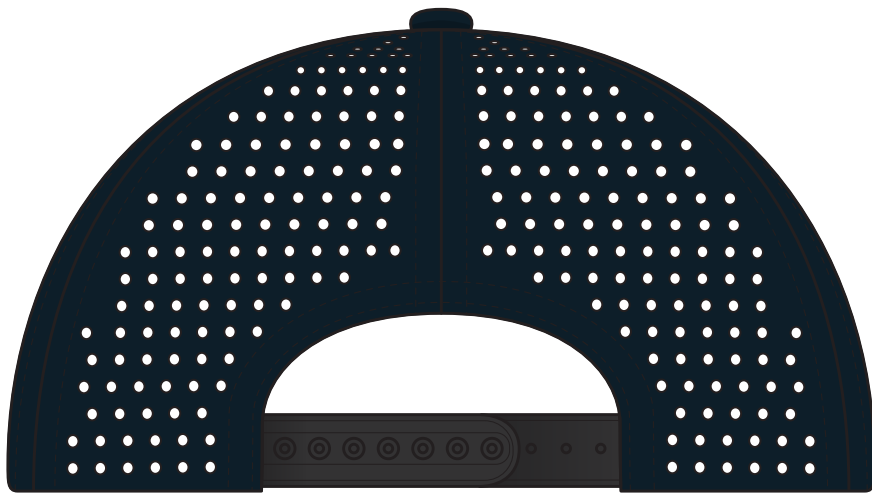
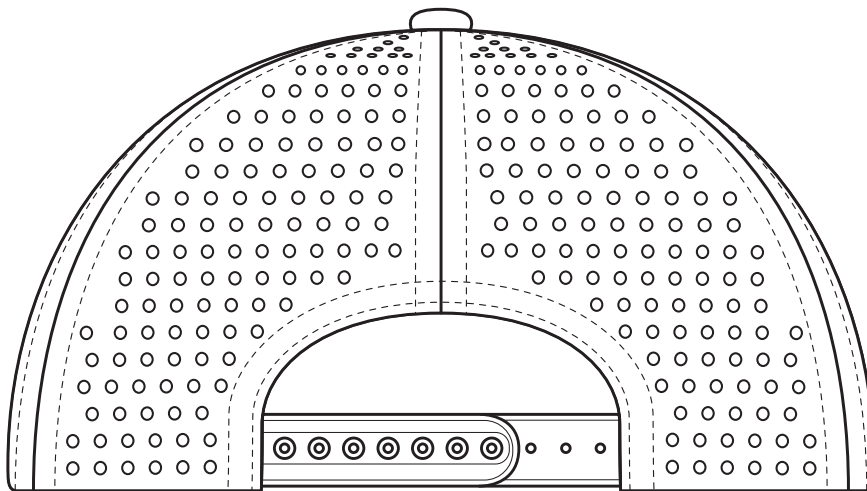
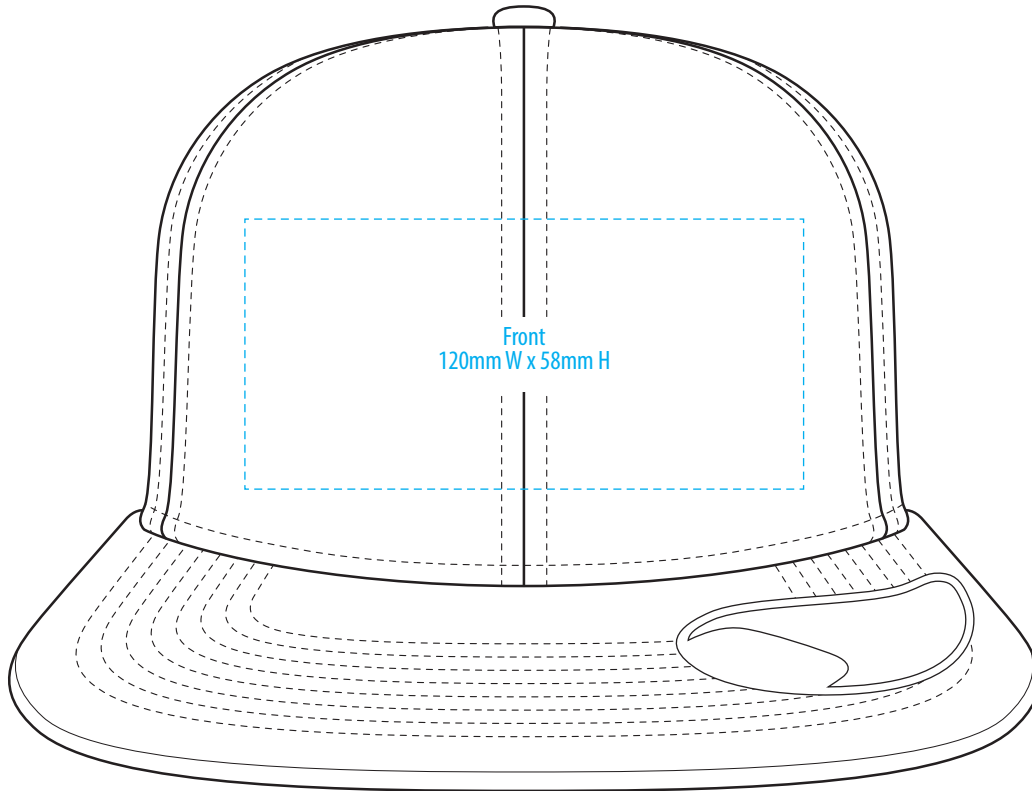


A2200



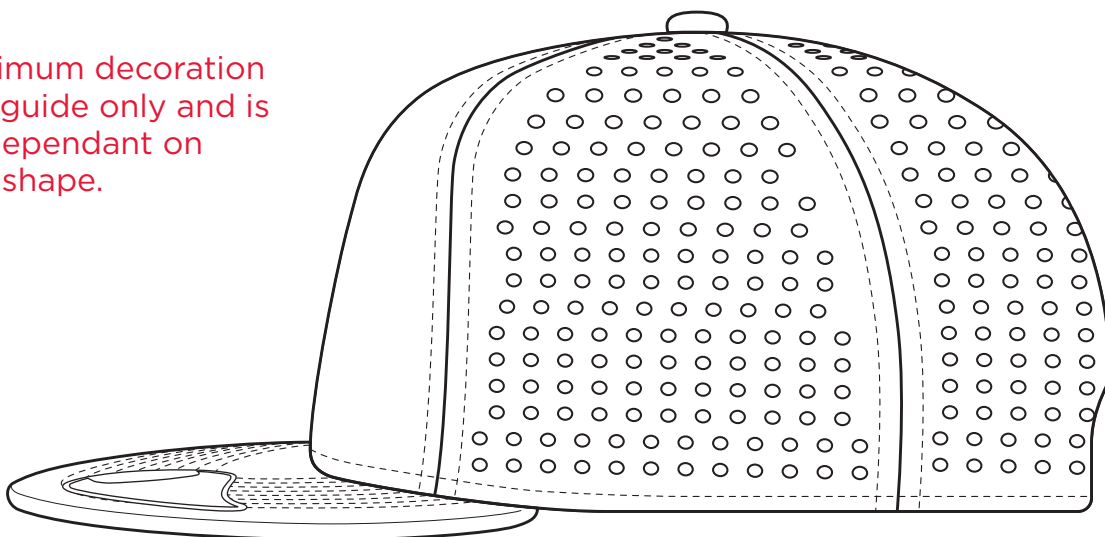
-----  
COLOUR

# A2200



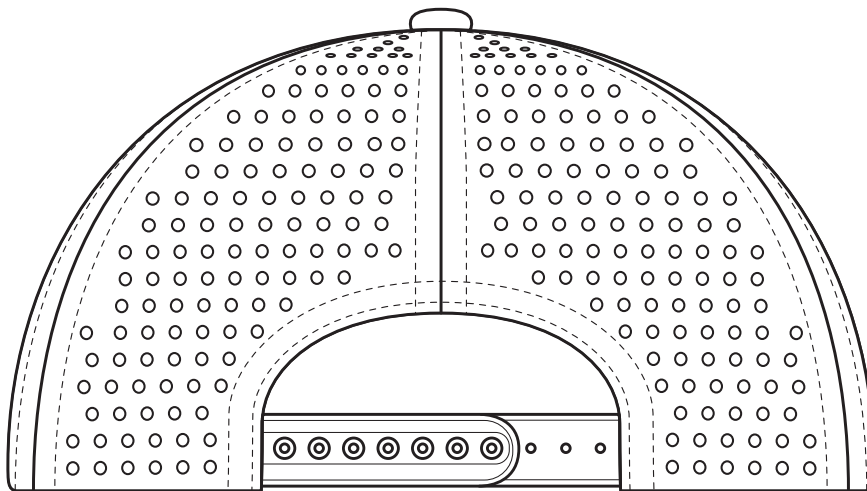
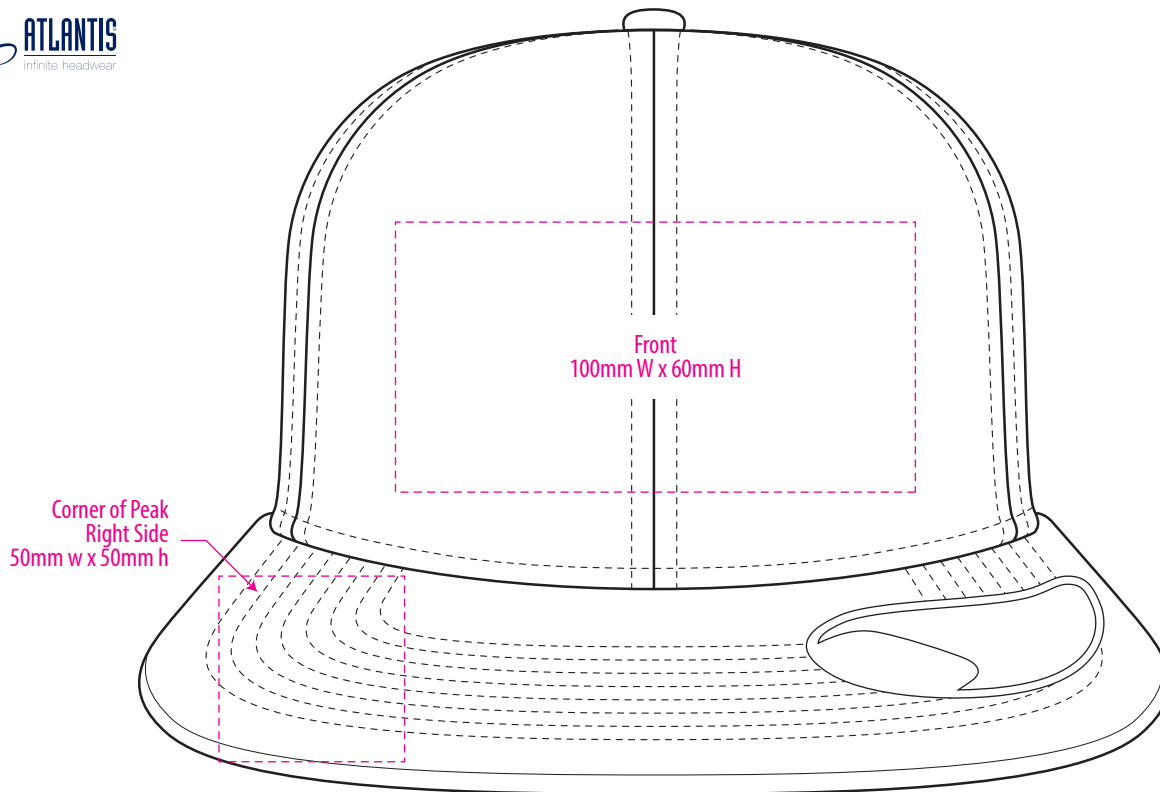
**NOTE:**

The maximum decoration area is a guide only and is greatly dependant on the logo shape.



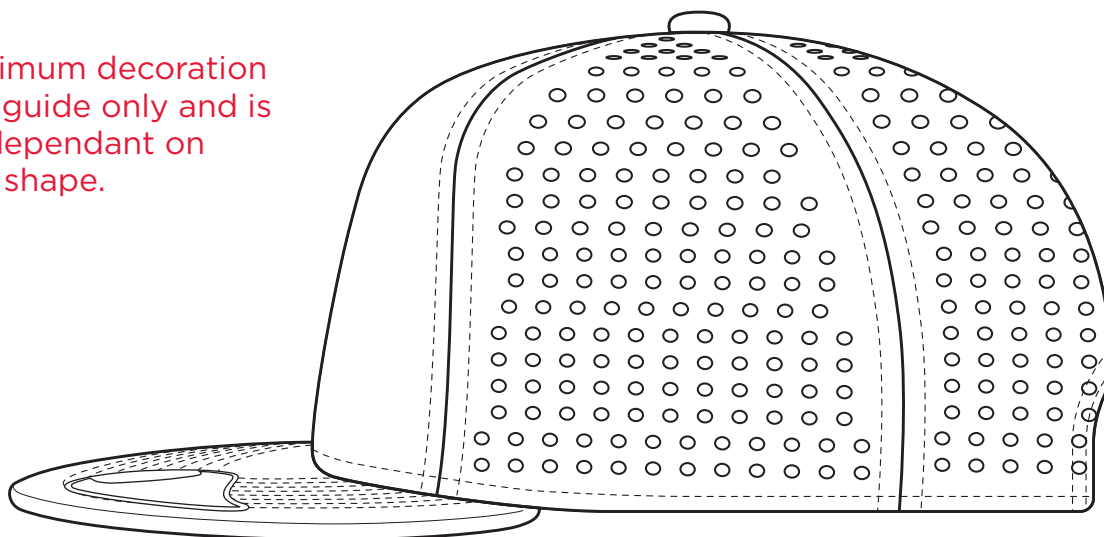
-----  
EMBROIDERY

# A2200

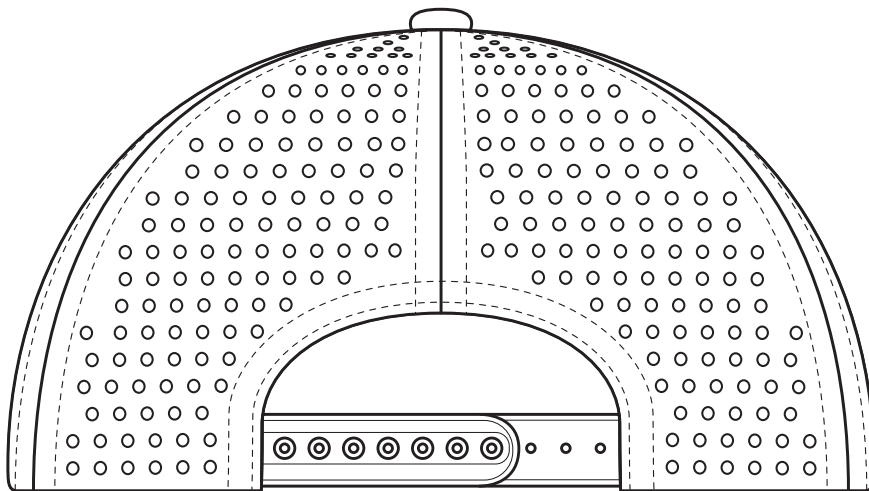
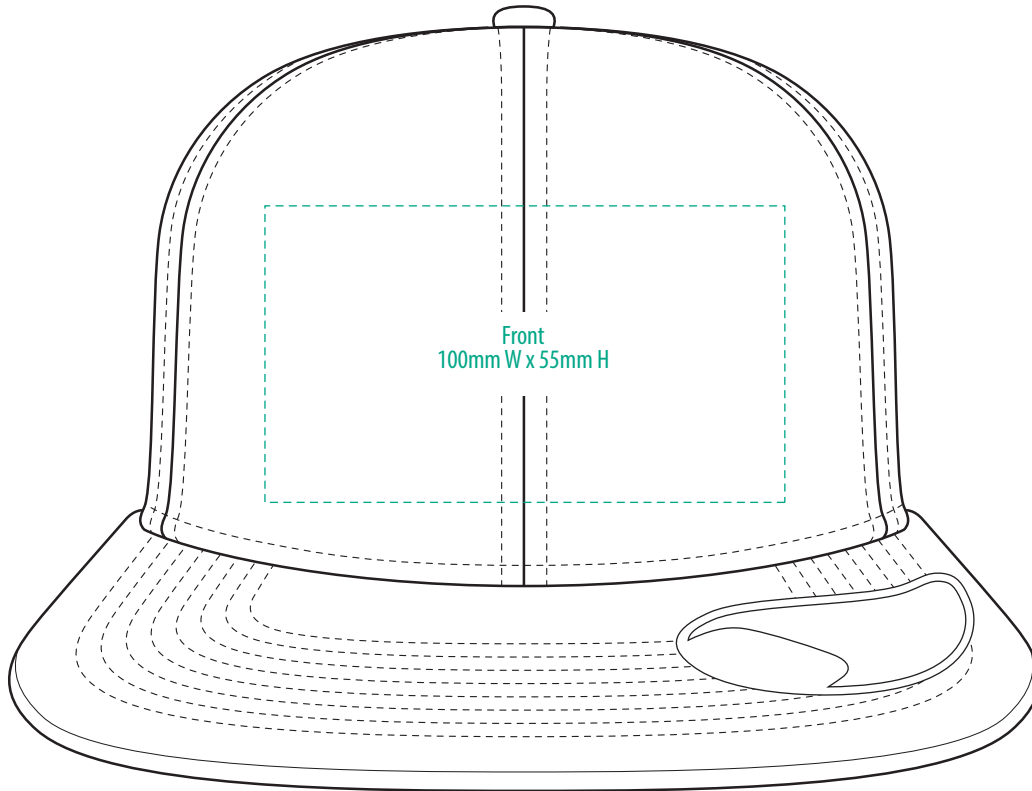


**NOTE:**

The maximum decoration area is a guide only and is greatly dependant on the logo shape.

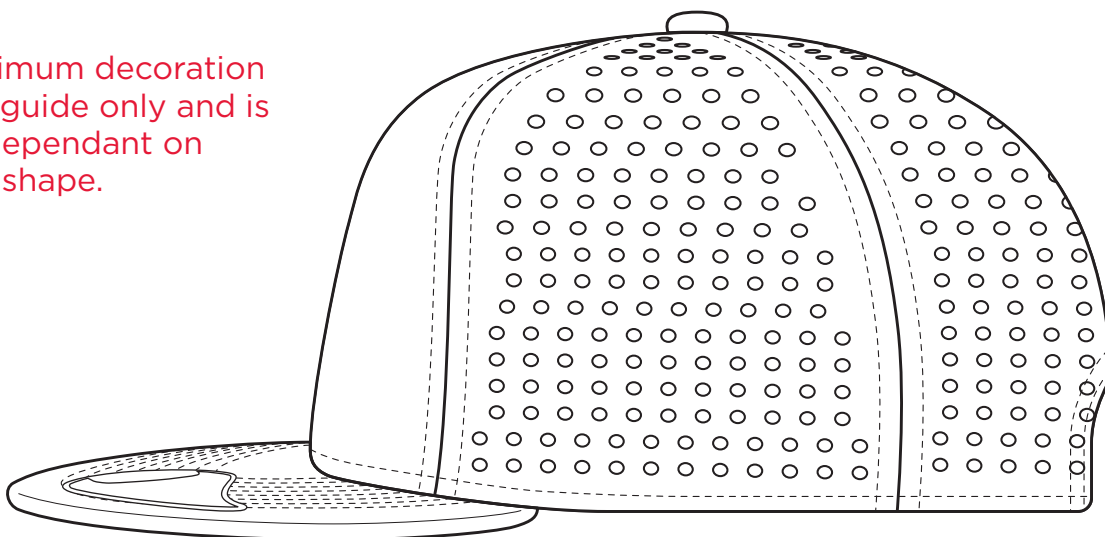


# A2200



**NOTE:**

The maximum decoration area is a guide only and is greatly dependant on the logo shape.



-----  
SUPASUB/SUPAETCH/SUPAFLEX