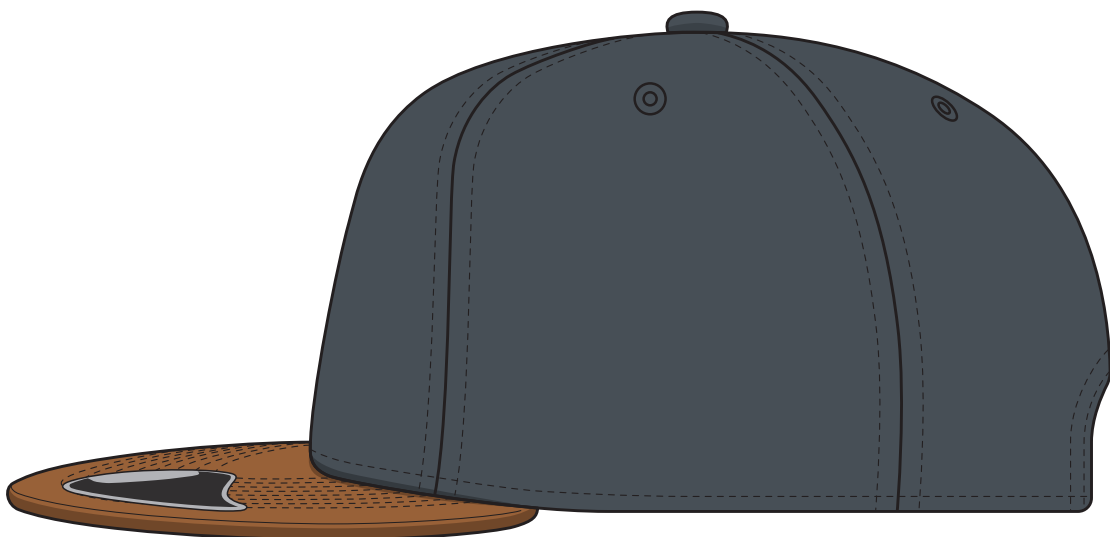
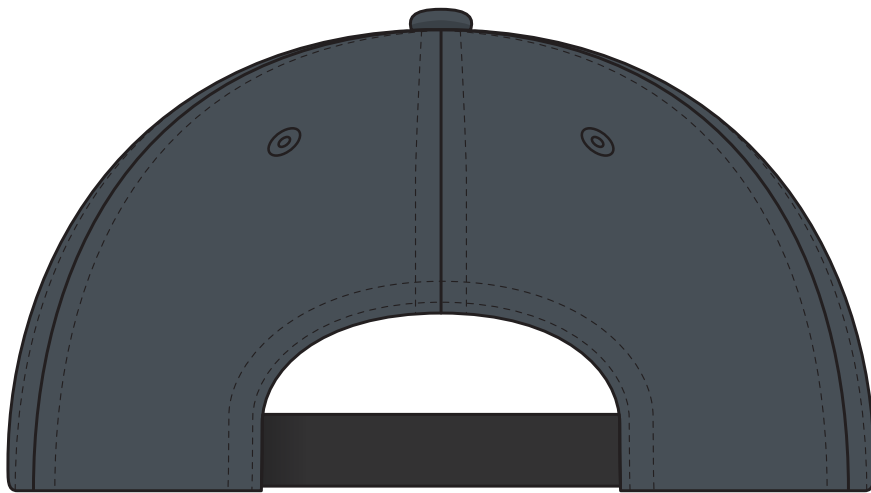
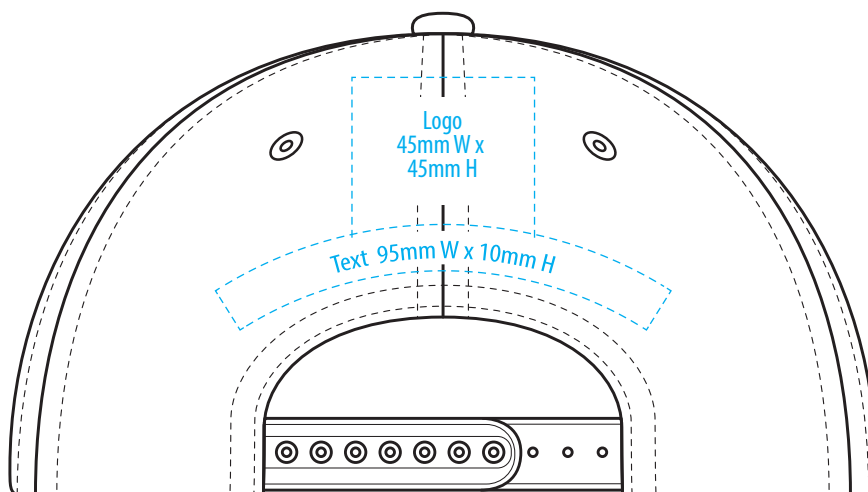
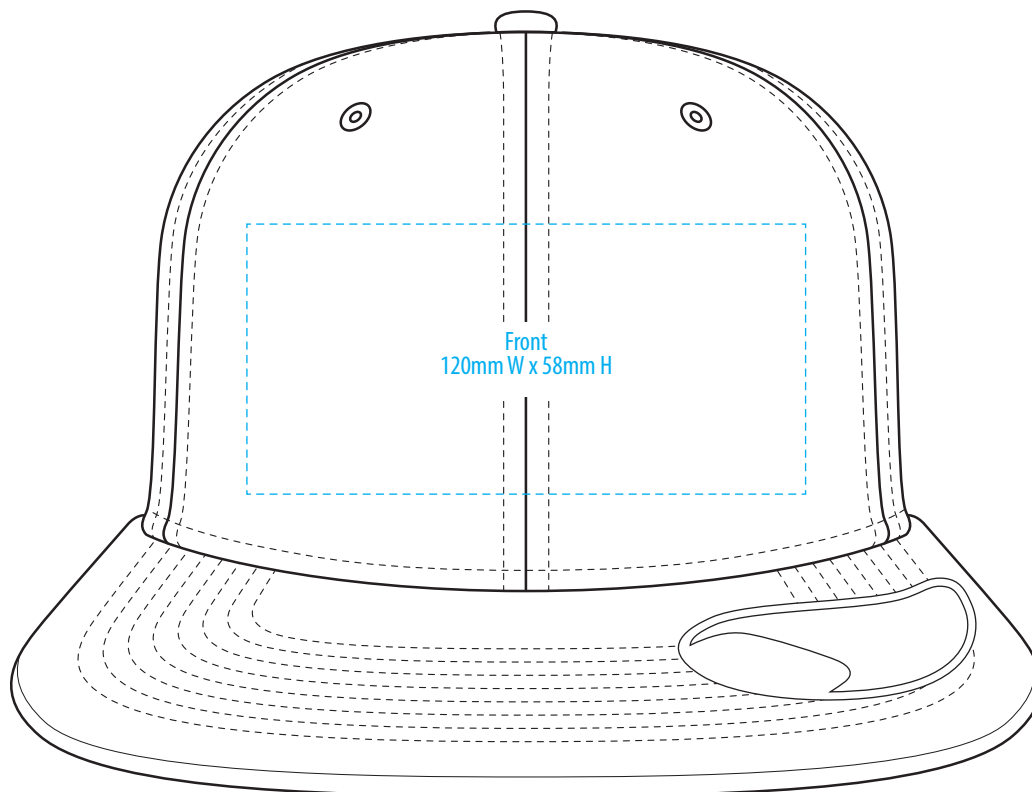


A3200



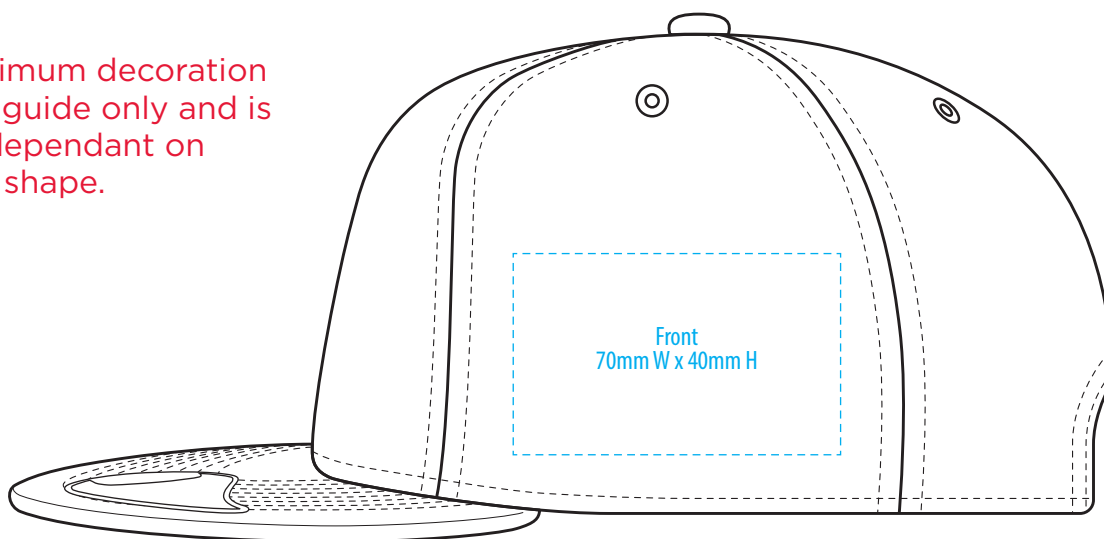
-----  
COLOUR

# A3200



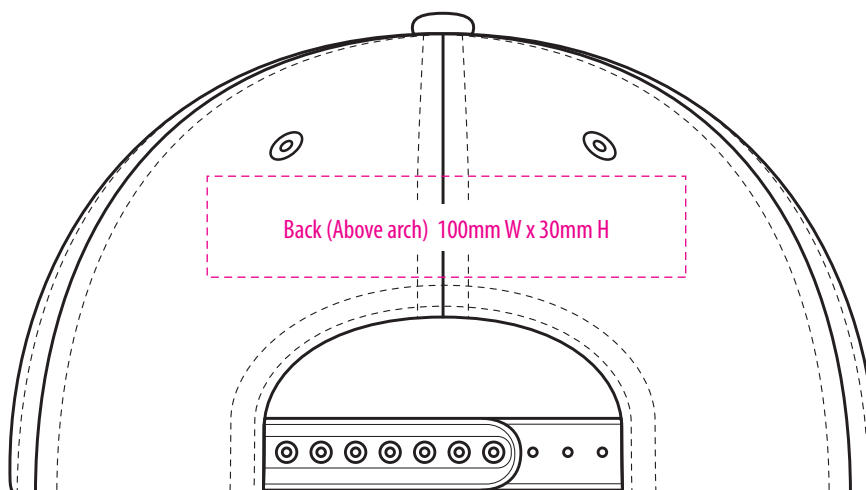
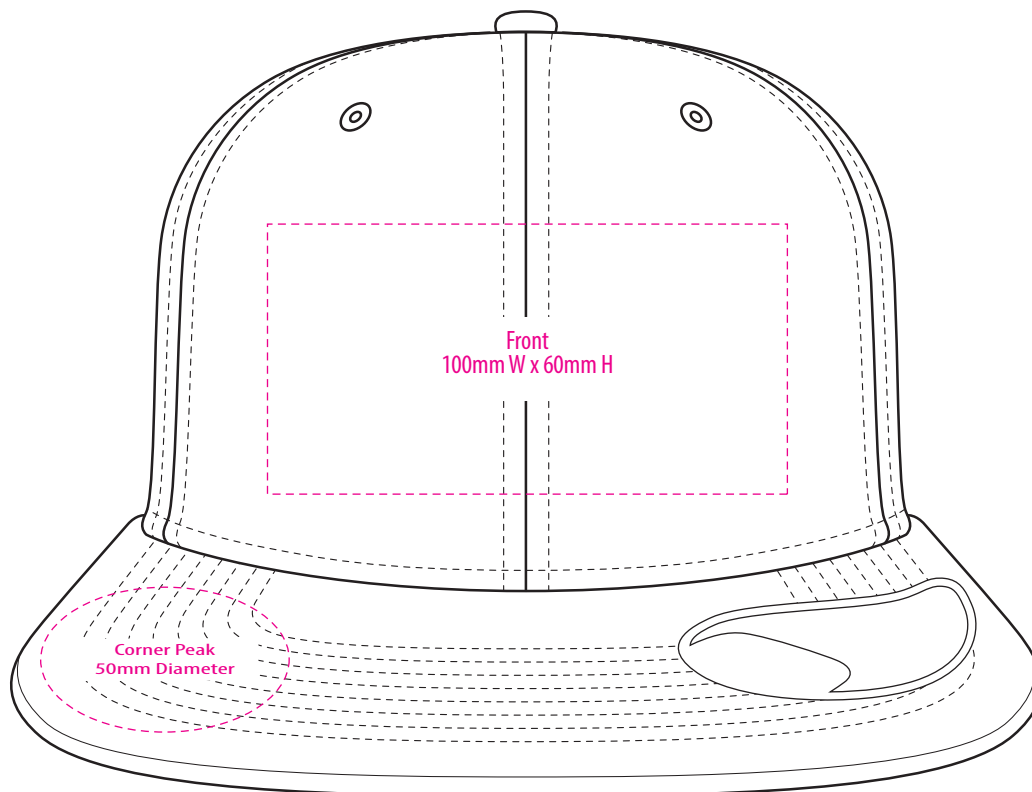
**NOTE:**

The maximum decoration area is a guide only and is greatly dependant on the logo shape.



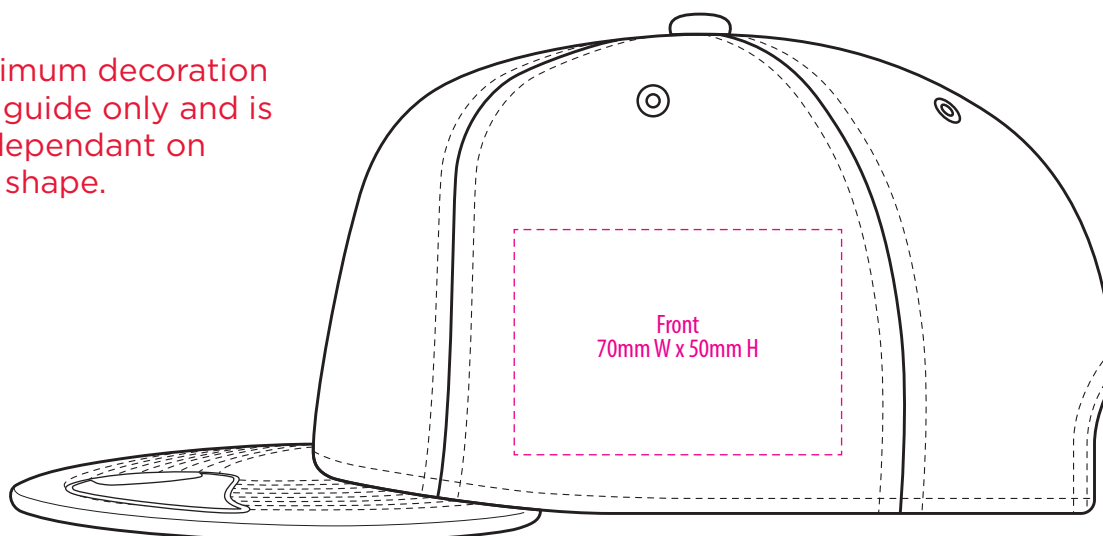
-----  
EMBROIDERY

# A3200

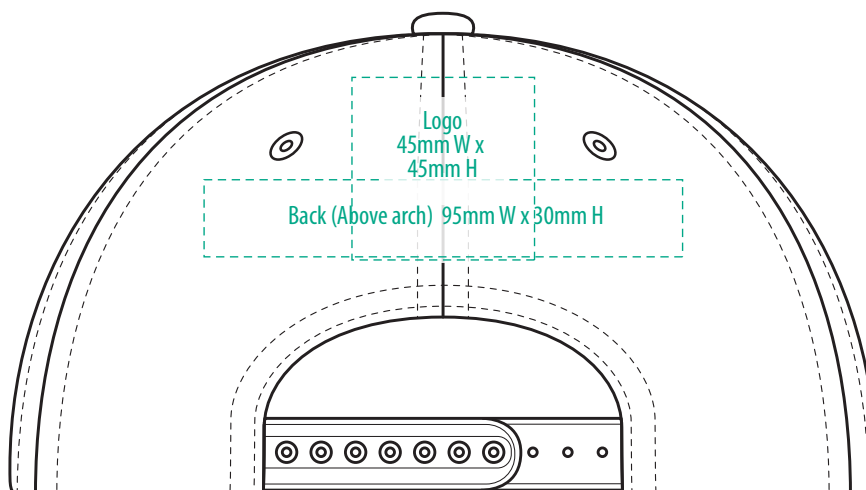
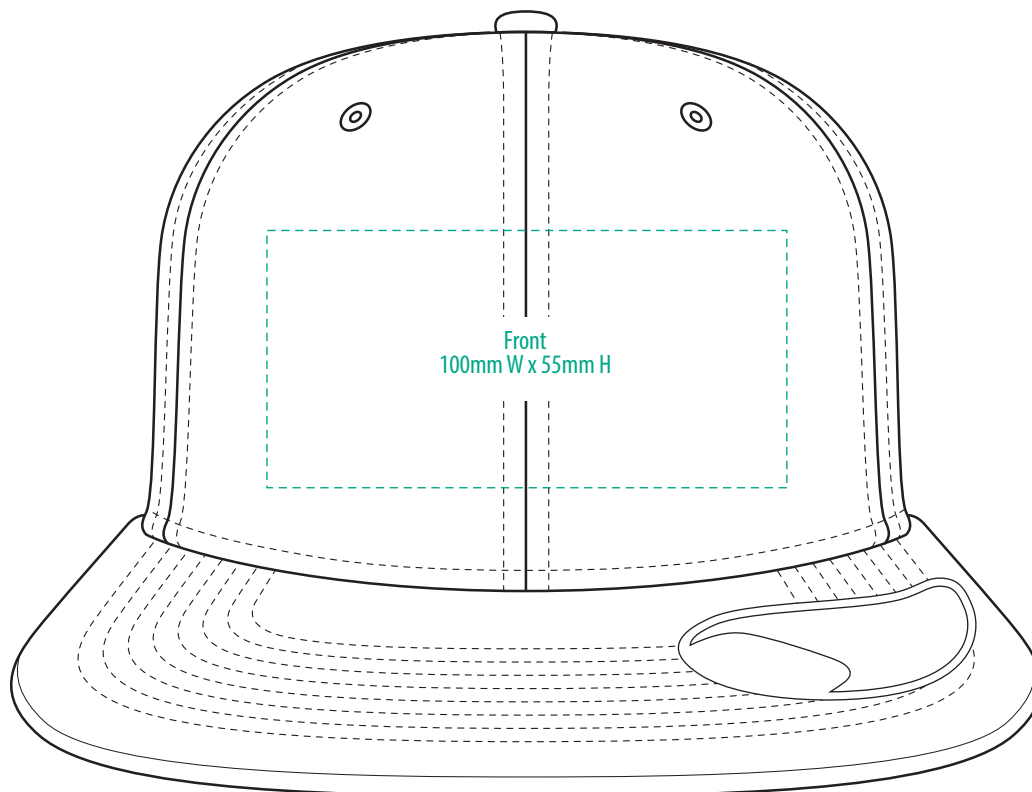


**NOTE:**

The maximum decoration area is a guide only and is greatly dependant on the logo shape.

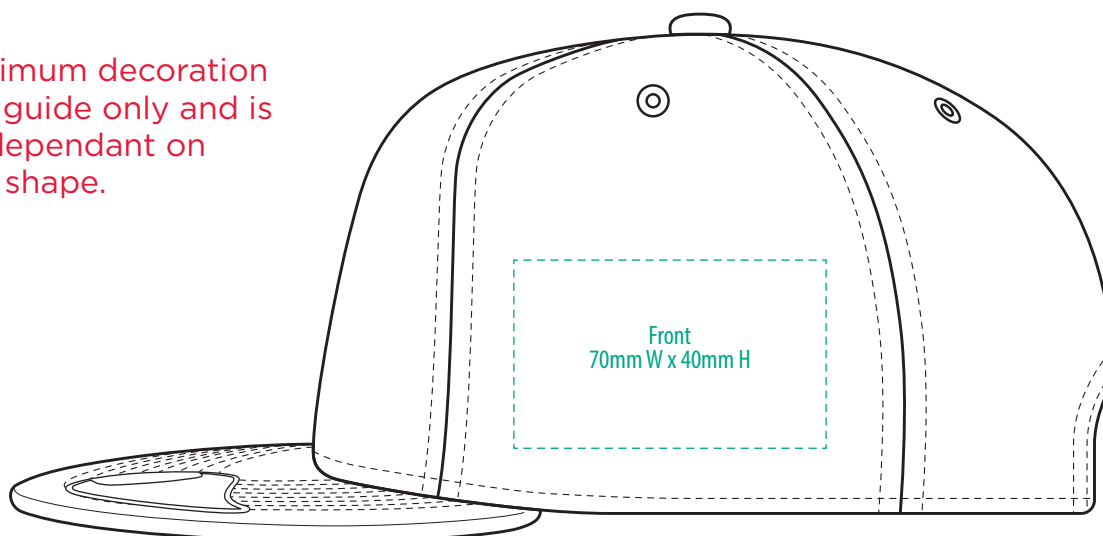


# A3200



**NOTE:**

The maximum decoration area is a guide only and is greatly dependant on the logo shape.



SUPASUB/SUPAETCH/SUPAFLEX