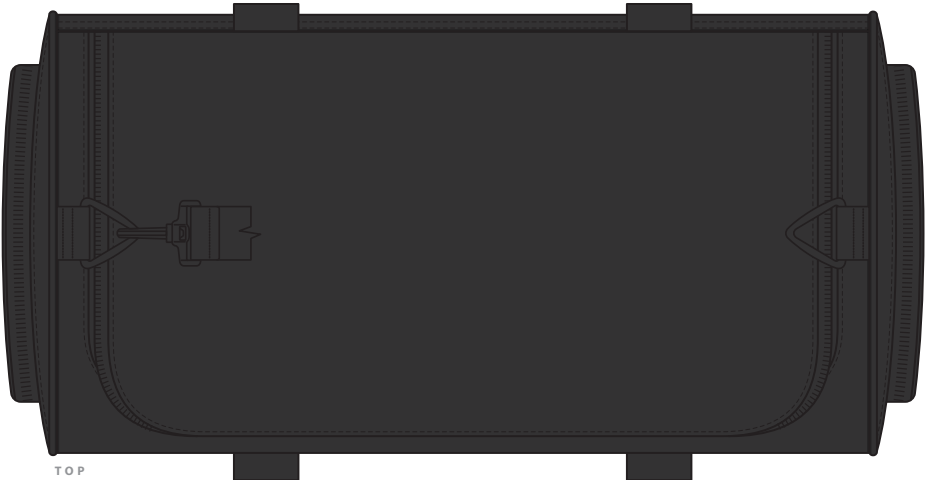


B239

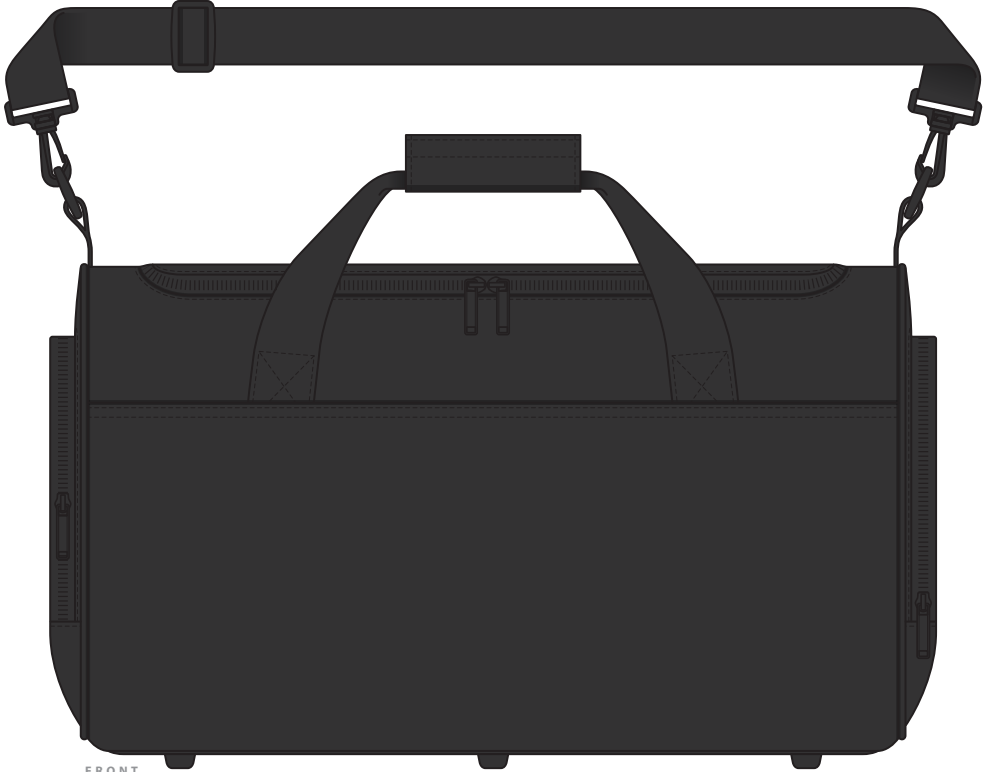
COLOURWAYS



LEFT / RIGHT END



TOP



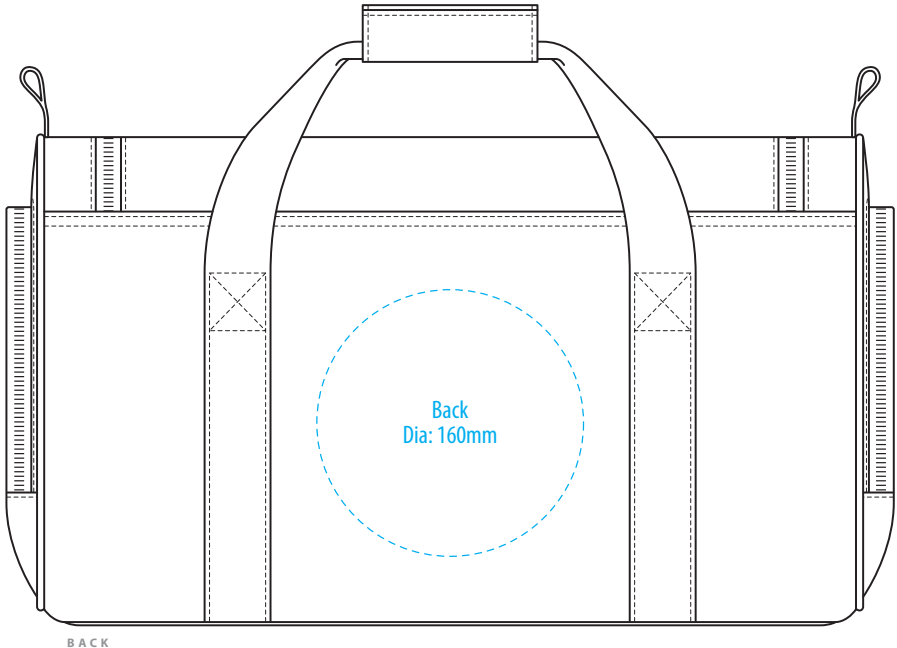
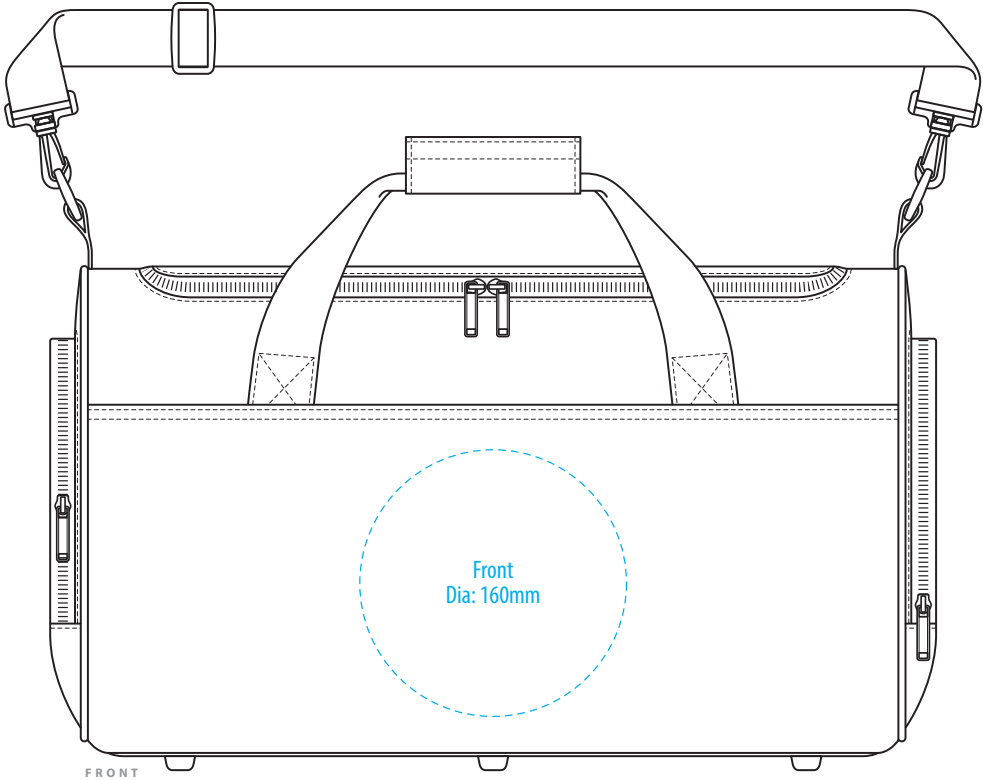
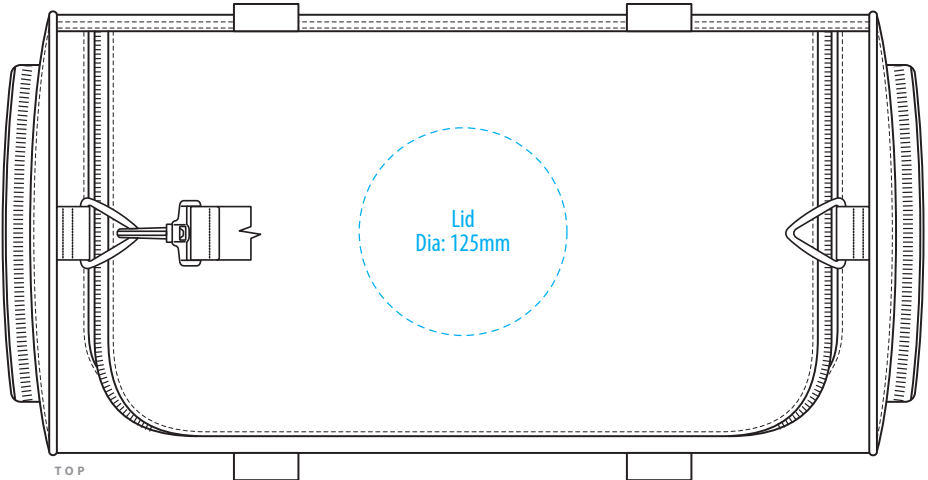
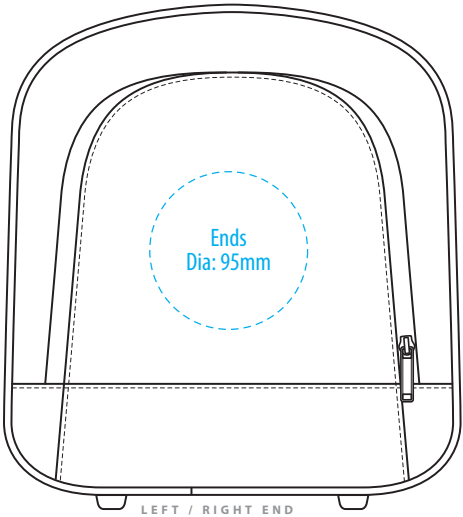
FRONT



BACK

COLOUR

B239

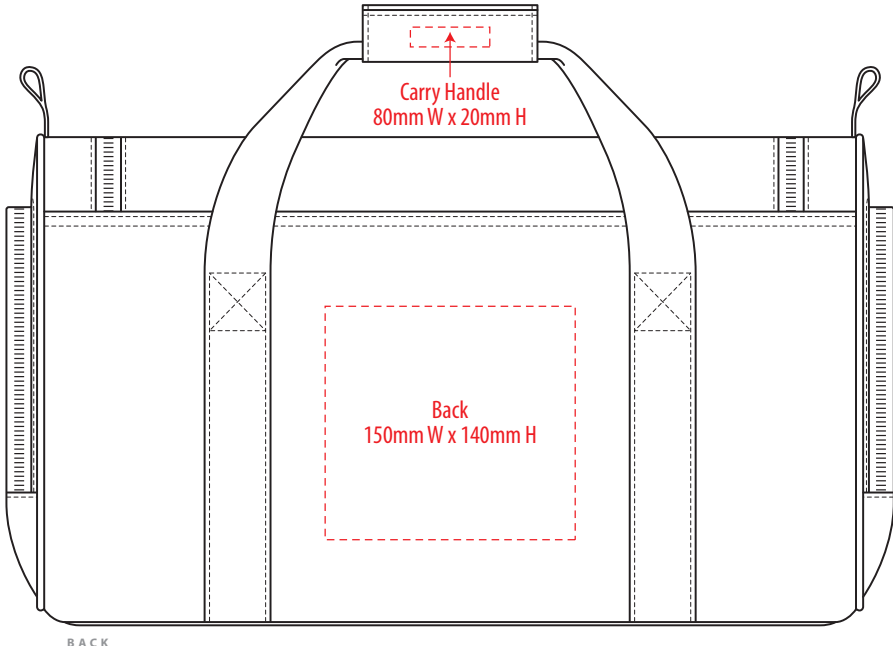
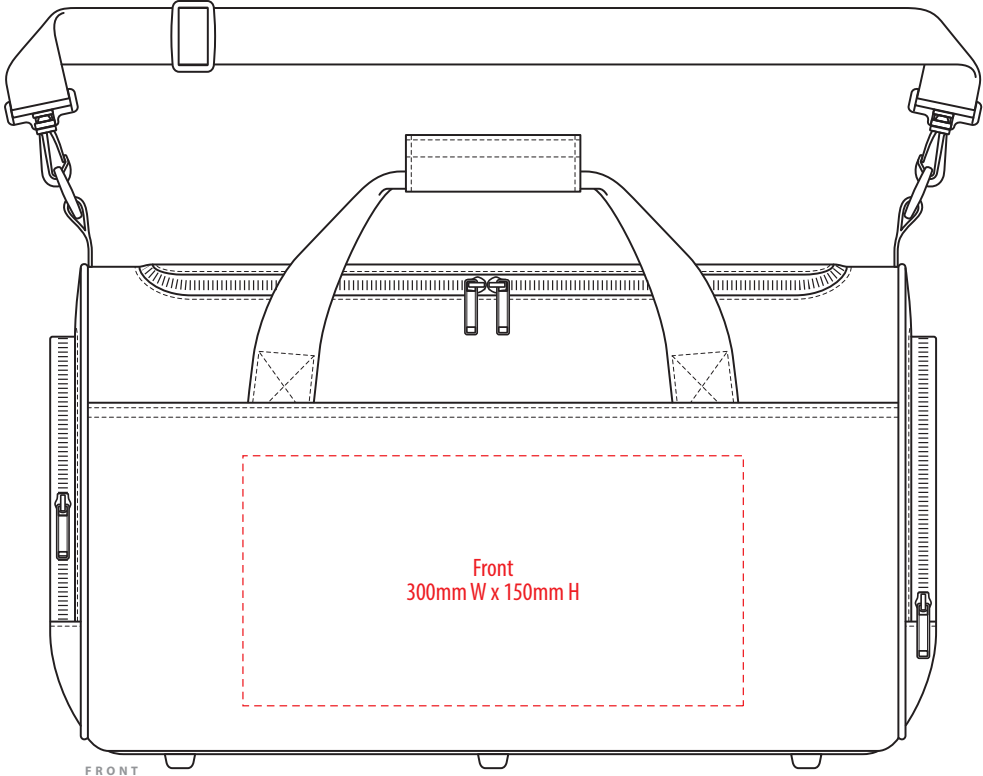
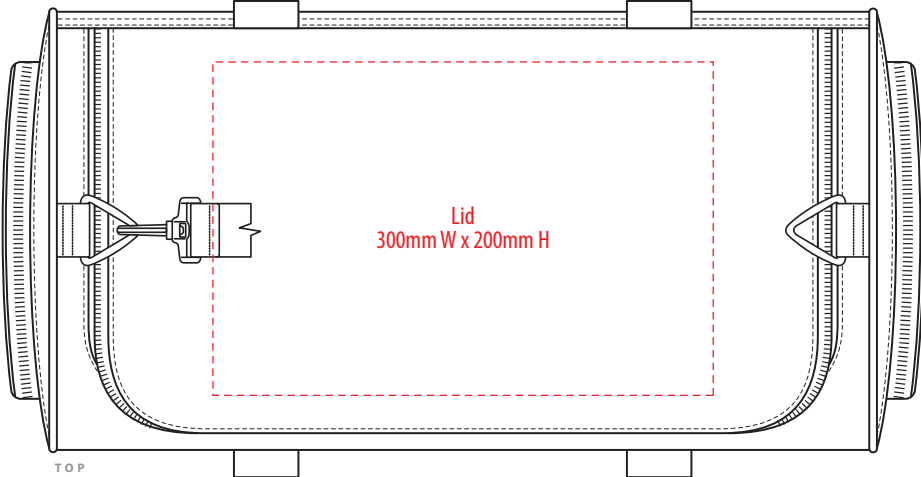
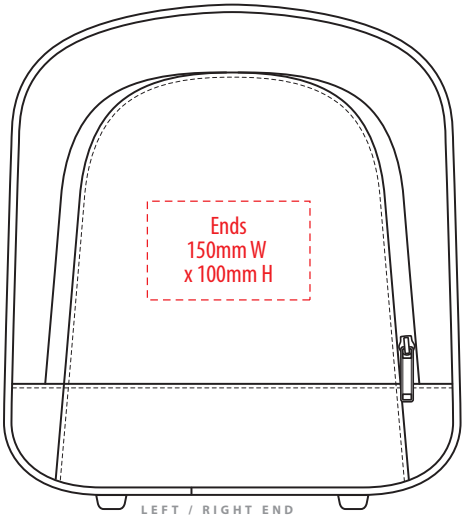


NOTE:

The maximum decoration area is a guide only and is greatly dependant on the logo shape.

EMBROIDERY

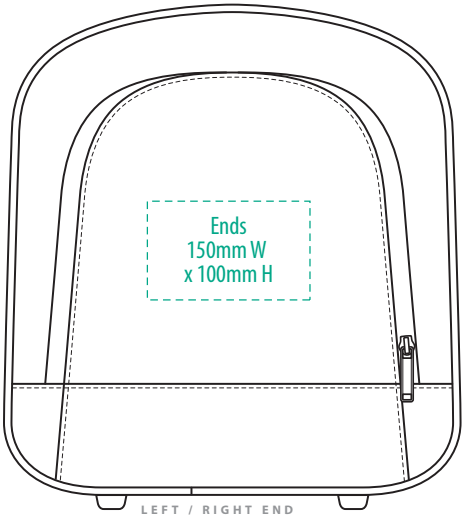
B239



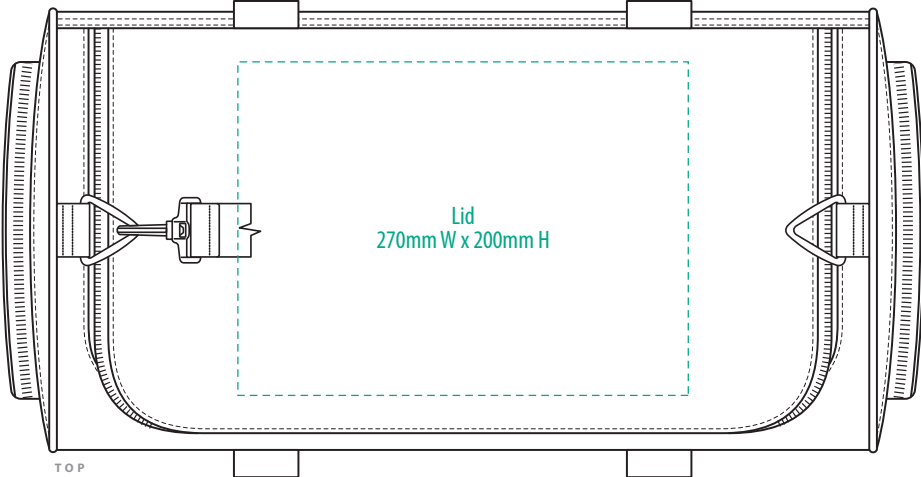
NOTE:
The maximum decoration area is a guide only and is greatly dependant on the logo shape.

SUPACOLOUR

B239



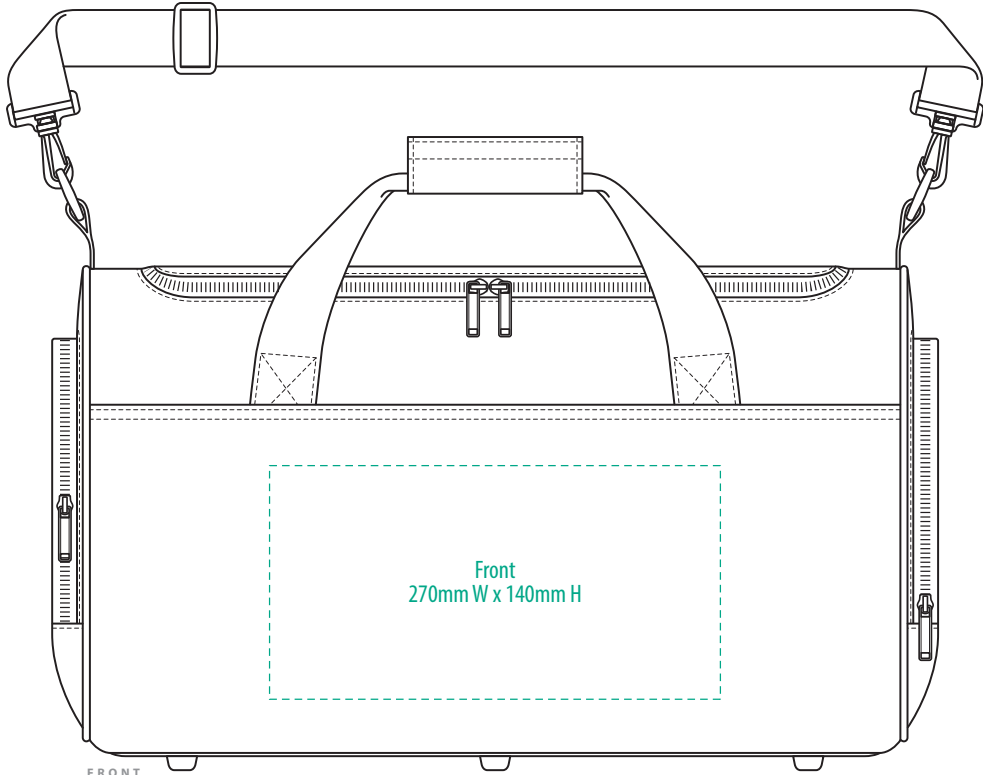
LEFT / RIGHT END



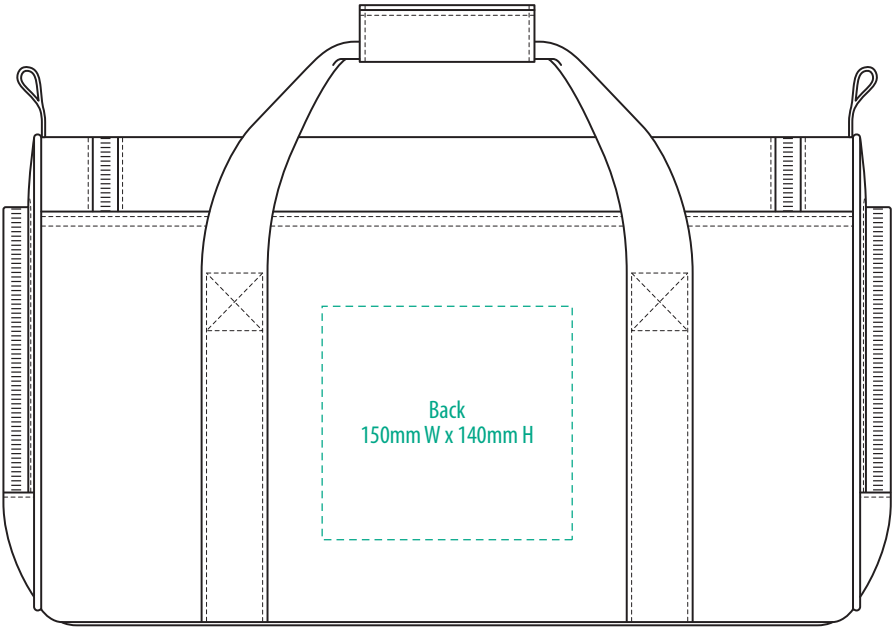
TOP

NOTE:

The maximum decoration area is a guide only and is greatly dependant on the logo shape.



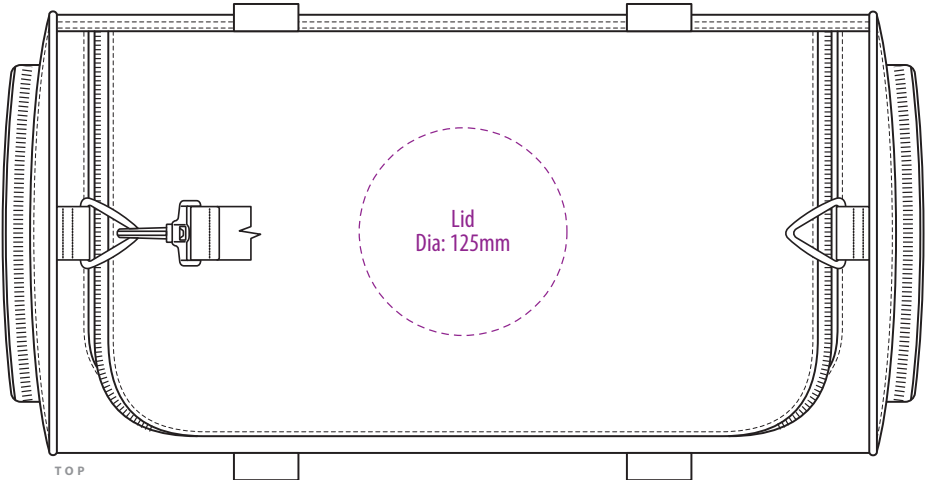
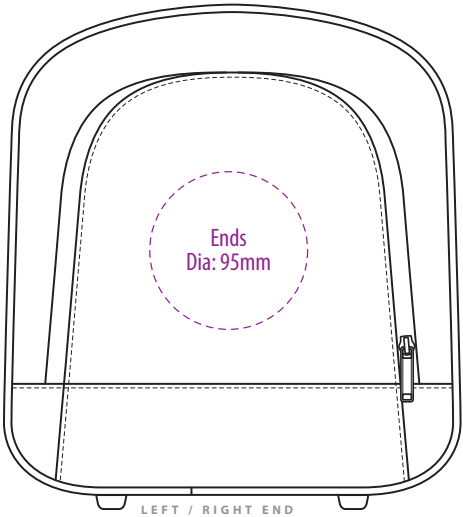
FRONT



BACK

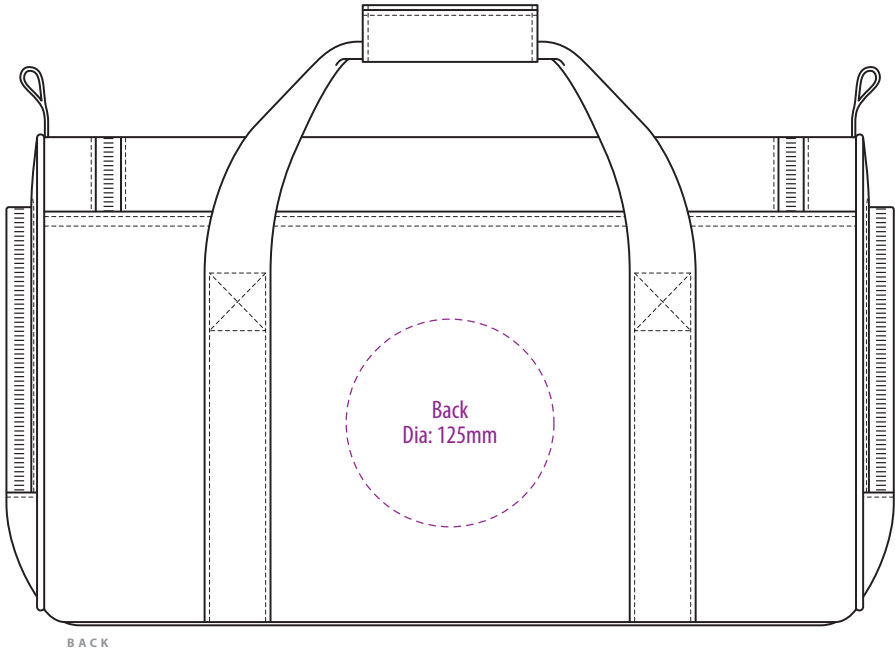
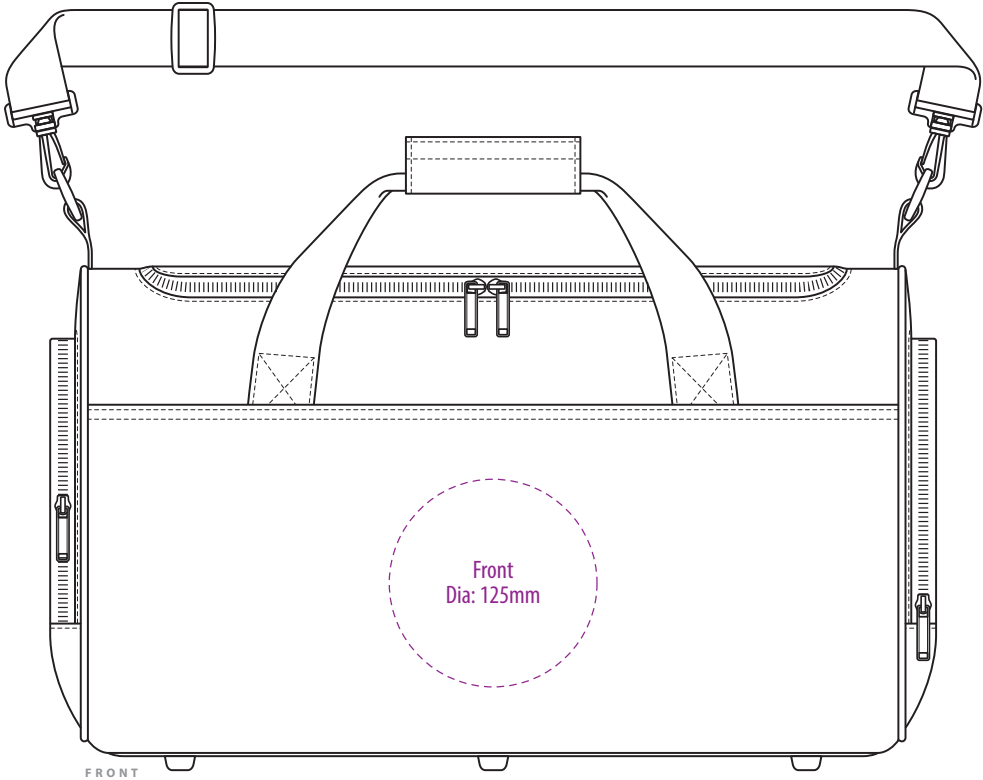
SCREENPRINT

B239



NOTE:

The maximum decoration area is a guide only and is greatly dependant on the logo shape.



SUPASUB / SUPAETCH / SUPAFLEX

B239

FABRIC SWATCH

BLACK



BLACK

NAVY



PMS 2965 C

Pantone colours are provided as a reference only and are based on closest match. Actual product colour may differ. If a precise colour match is required we recommend ordering a sample.