

# B478

COLOURWAYS



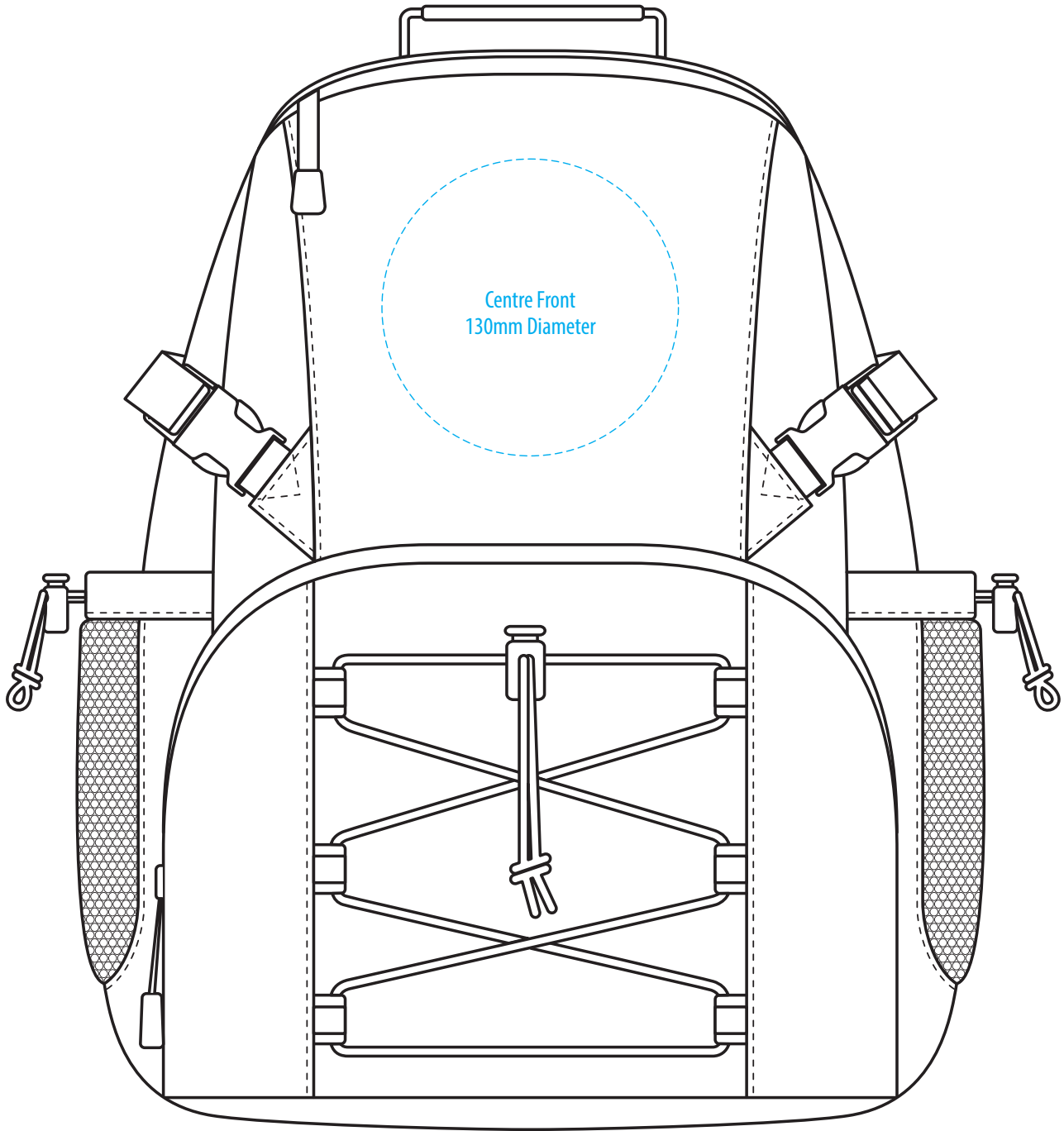
FRONT

COLOUR

**B478**

**NOTE:**

The maximum decoration area is a guide only and is greatly dependant on the logo shape.



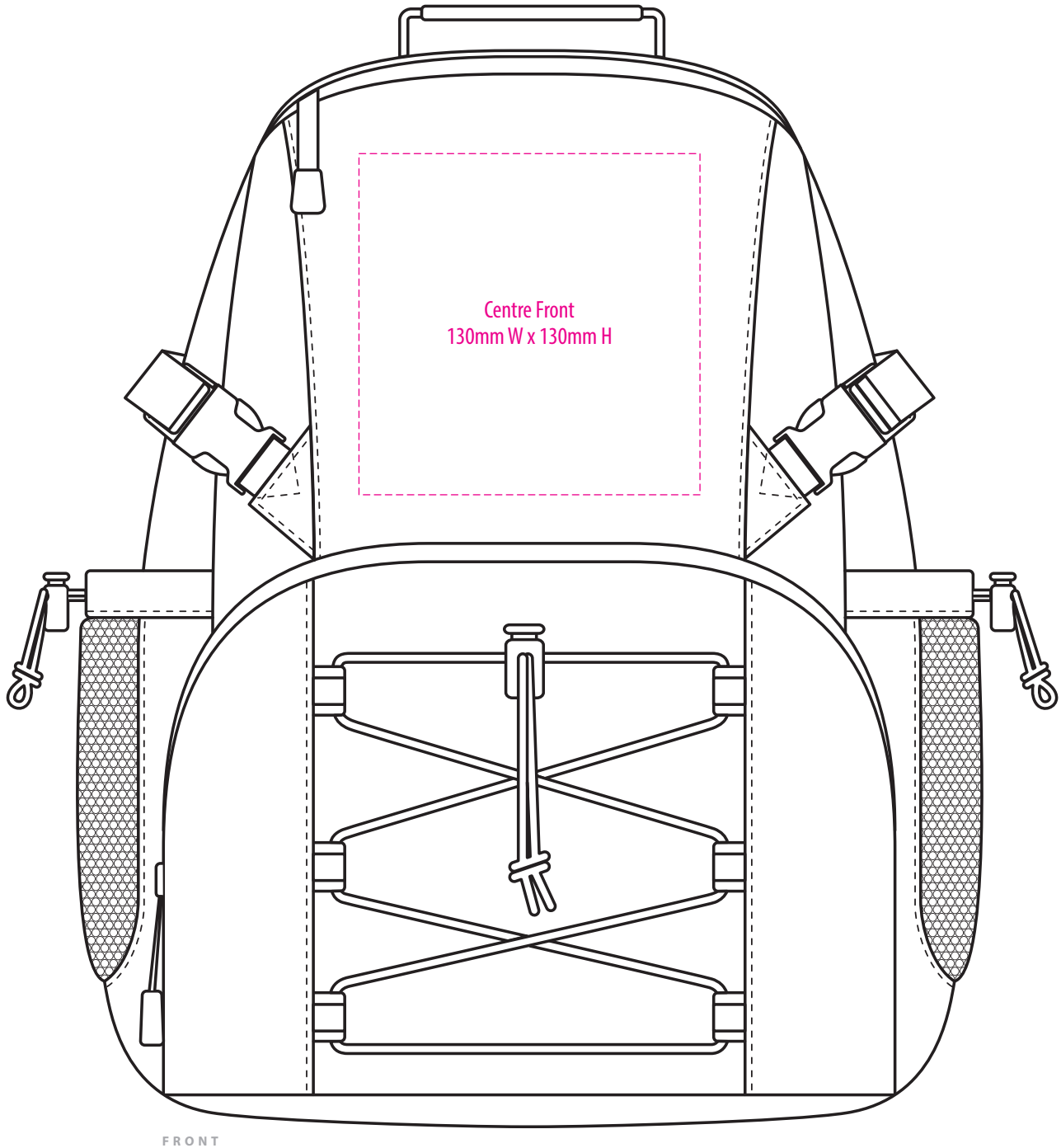
FRONT

-----  
EMBROIDERY

**B478**

**NOTE:**

The maximum decoration area is a guide only and is greatly dependant on the logo shape.

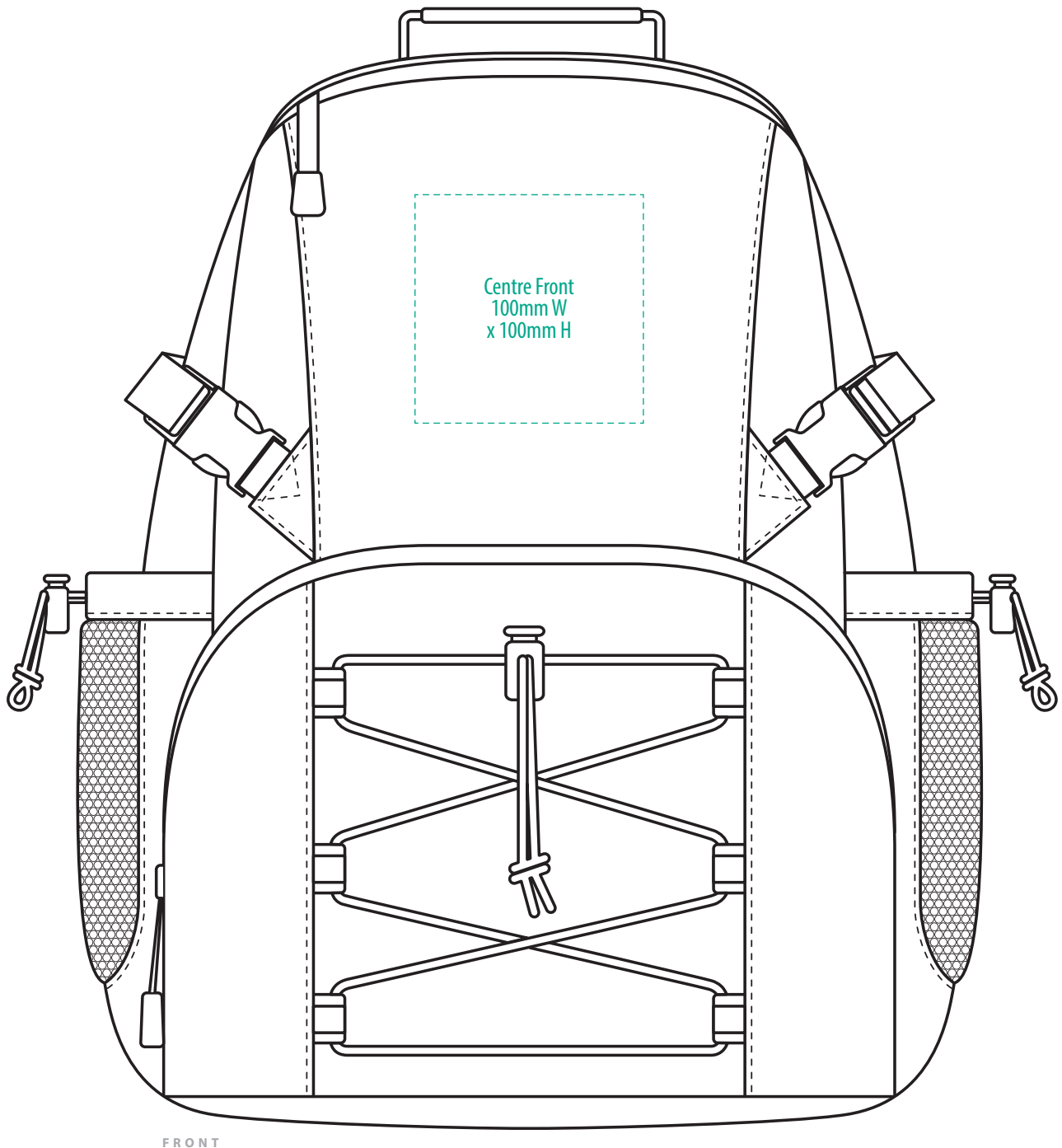


-----  
SUPACOLOUR / PRINT

**B478**

**NOTE:**

The maximum decoration area is a guide only and is greatly dependant on the logo shape.









FRONT

-----  
SUPASUB / SUPAETCH / SUPAFLEX

# B478

# FABRIC SWATCH

<b>BLACK/RED</b>		BLACK		PMS 186 C
<b>BLACK/SILVER</b>		BLACK		PMS Cool Grey 3 C
<b>NAVY/SILVER</b>		PMS 2965 C		PMS Cool Grey 3 C

Pantone colours are provided as a reference only and are based on closest match. Actual product colour may differ. If a precise colour match is required we recommend ordering a sample.