

EX3240

EXTON

COLOURWAYS



FRONT

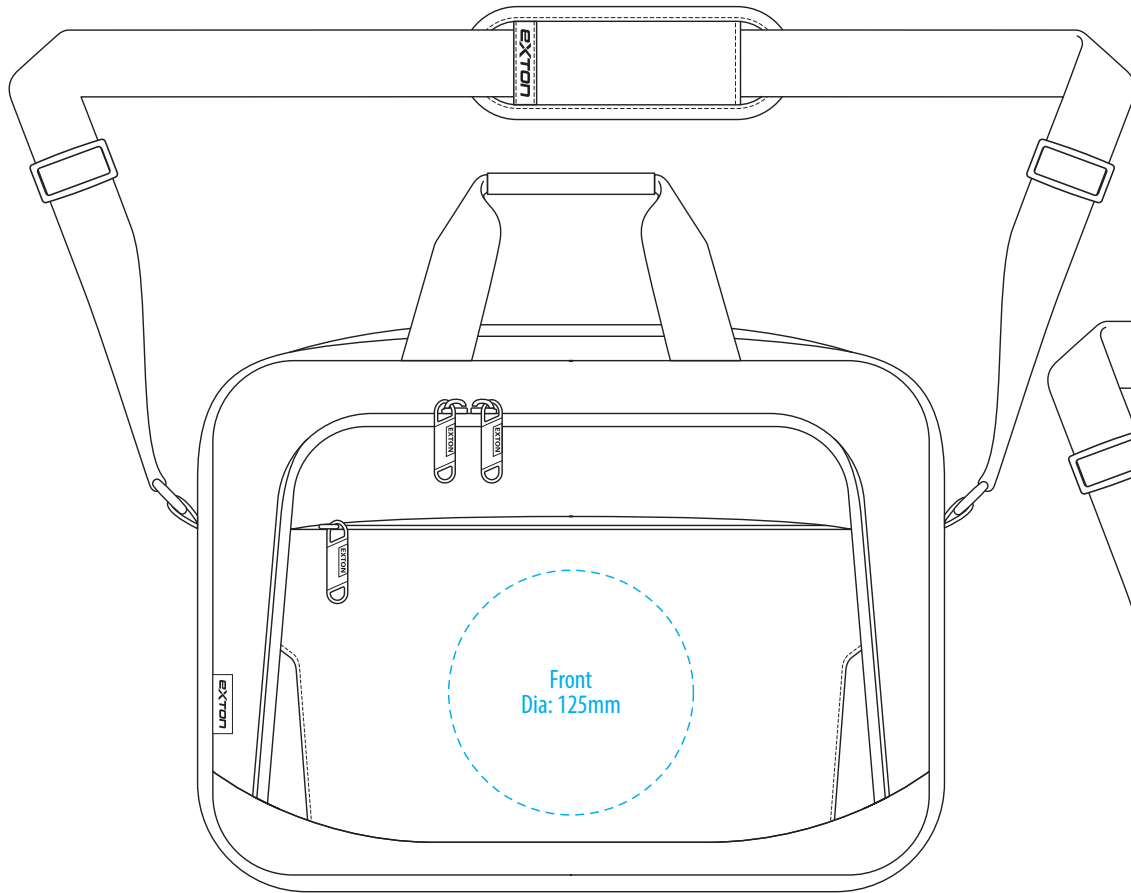


BACK

COLOUR

EX3240

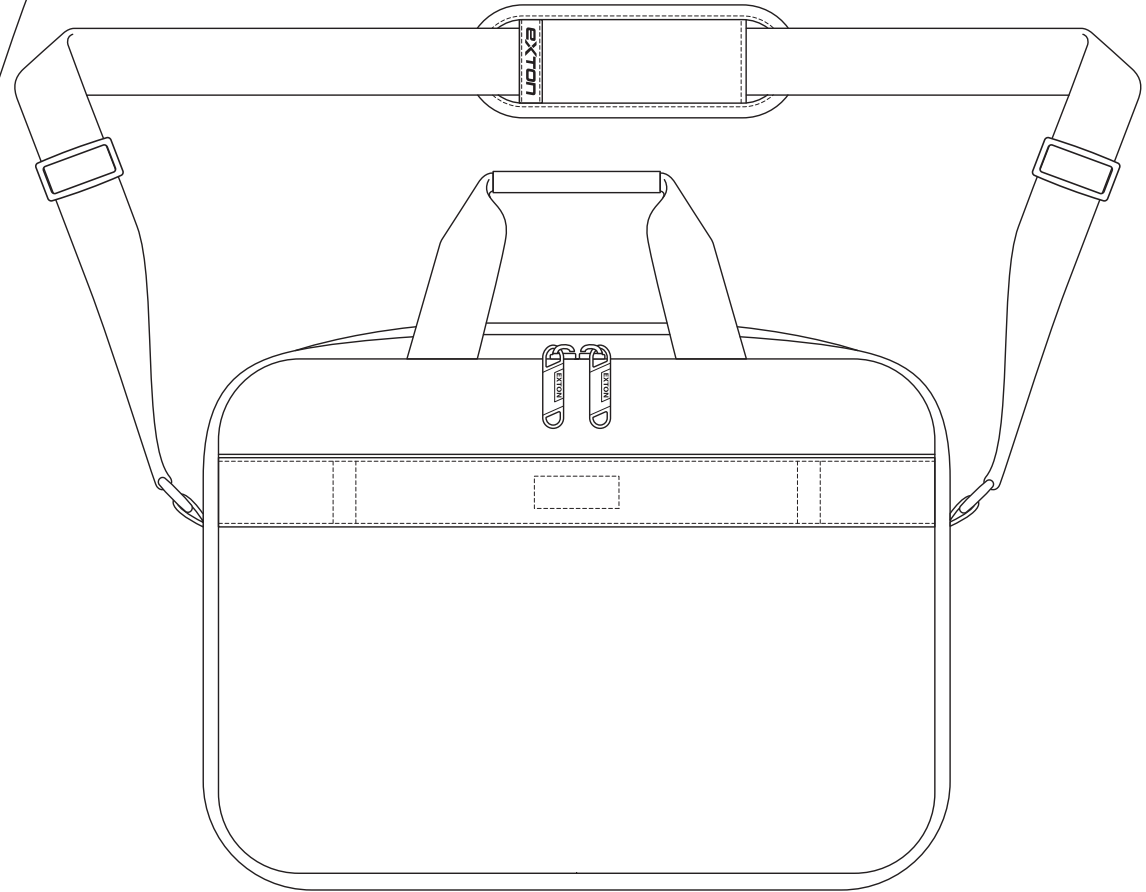
EXTON



FRONT

NOTE:

The maximum decoration area is a guide only and is greatly dependant on the logo shape.

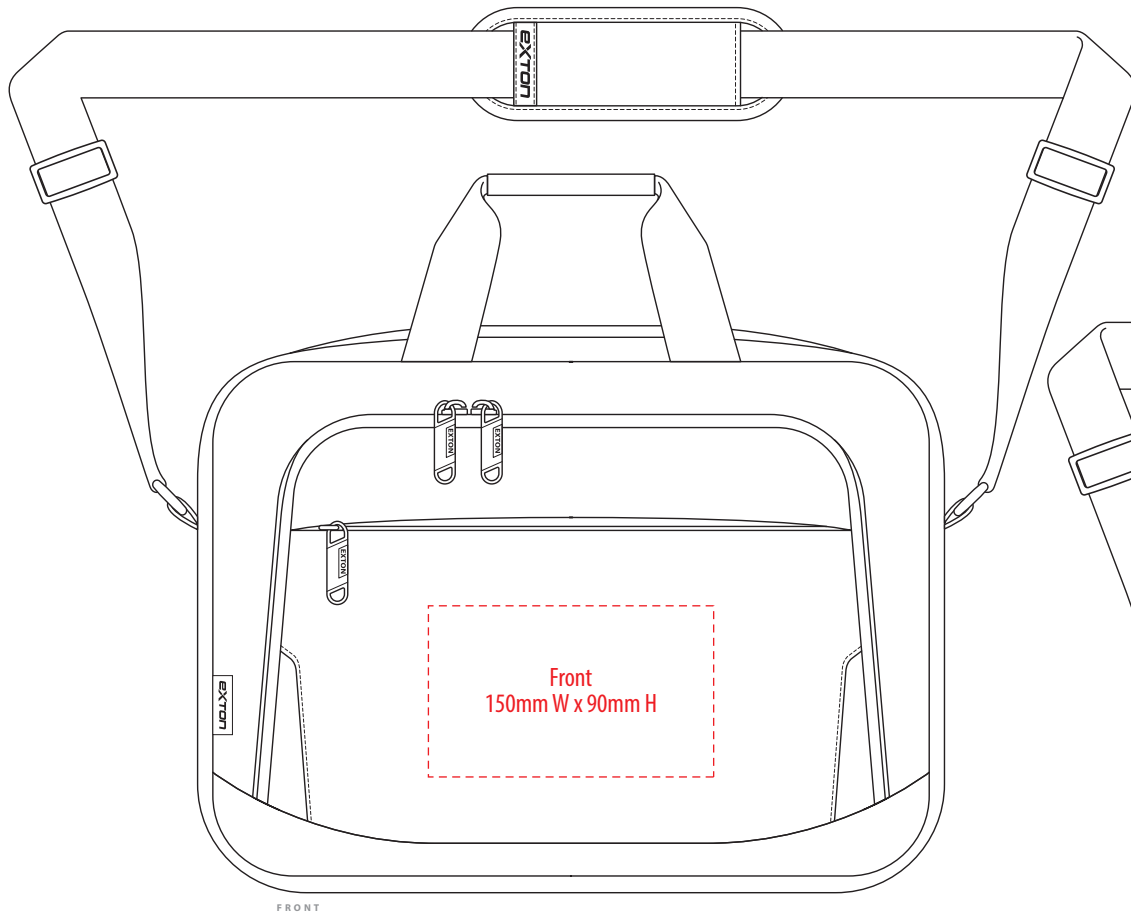


BACK

EMBROIDERY / SUPASUB / SUPAETCH / SUPAFLEX

EX3240

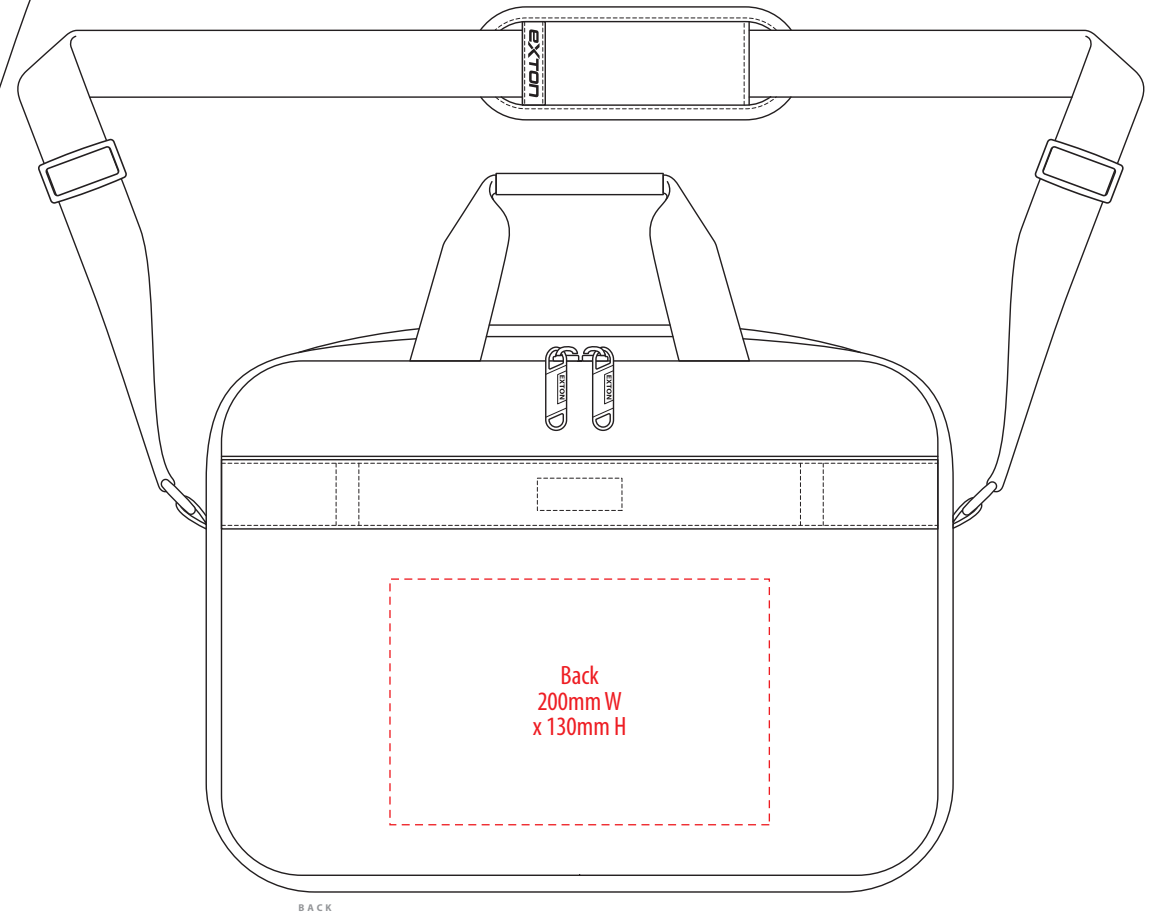
EXTON



Front
150mm W x 90mm H

NOTE:

The maximum decoration area is a guide only and is greatly dependant on the logo shape.



Back
200mm W
x 130mm H

SUPACOLOUR / PRINT

EX3240

FABRIC SWATCH

BLACK/GREY



BLACK



PMS Cool Grey 10 C

Pantone colours are provided as a reference only and are based on closest match. Actual product colour may differ. If a precise colour match is required we recommend ordering a sample.