

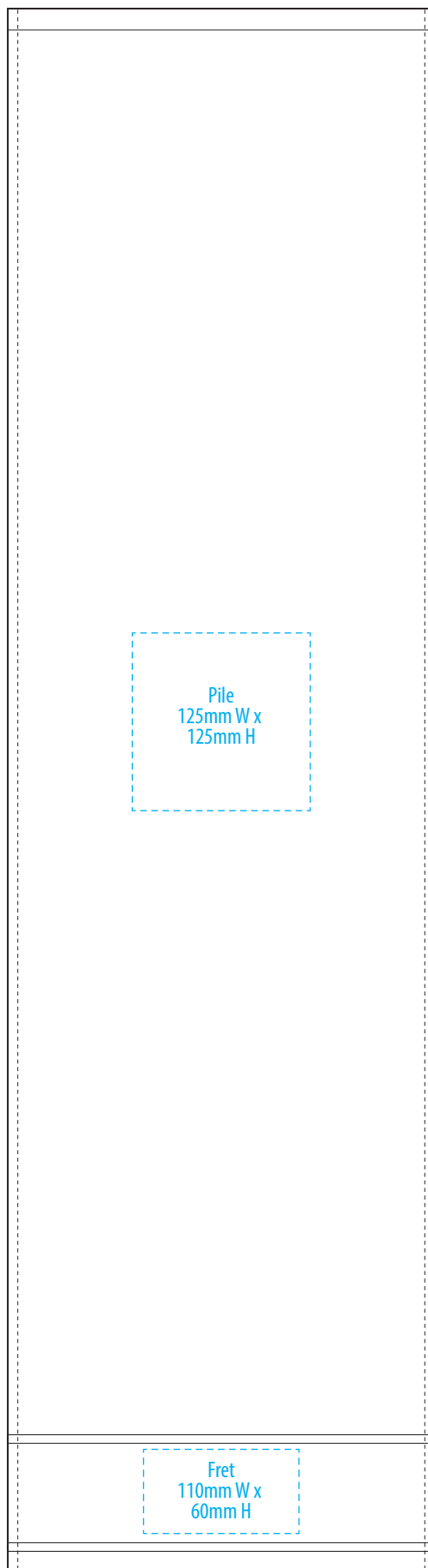
# M115

COLOURWAYS



-----  
COLOUR

# M115

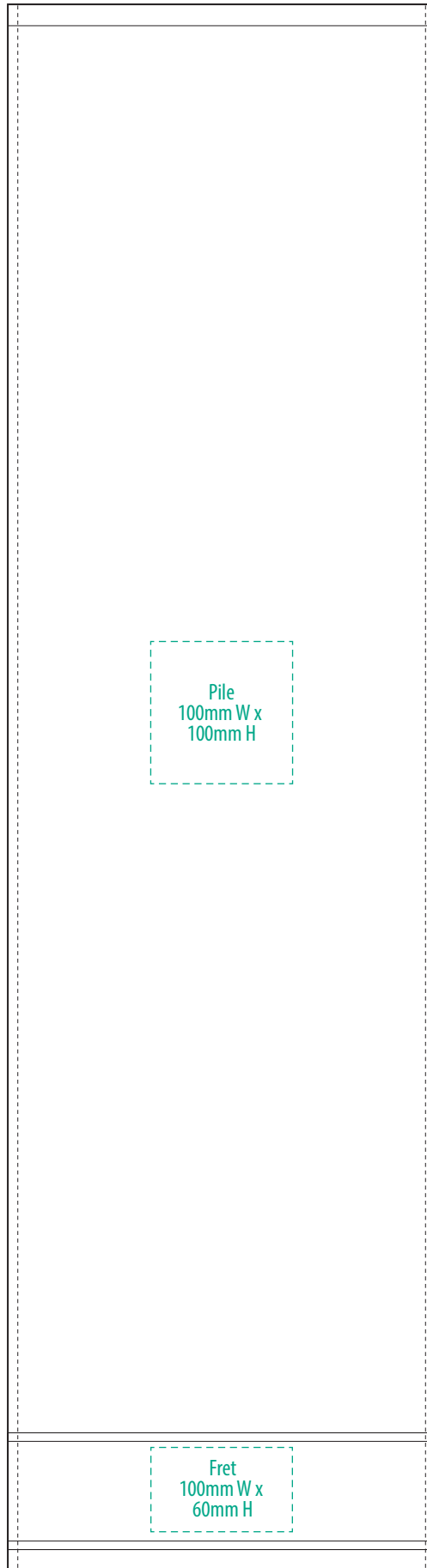


**NOTE:**

The maximum decoration area is a guide only and is greatly dependant on the logo shape.

-----  
EMBROIDERY

# M115

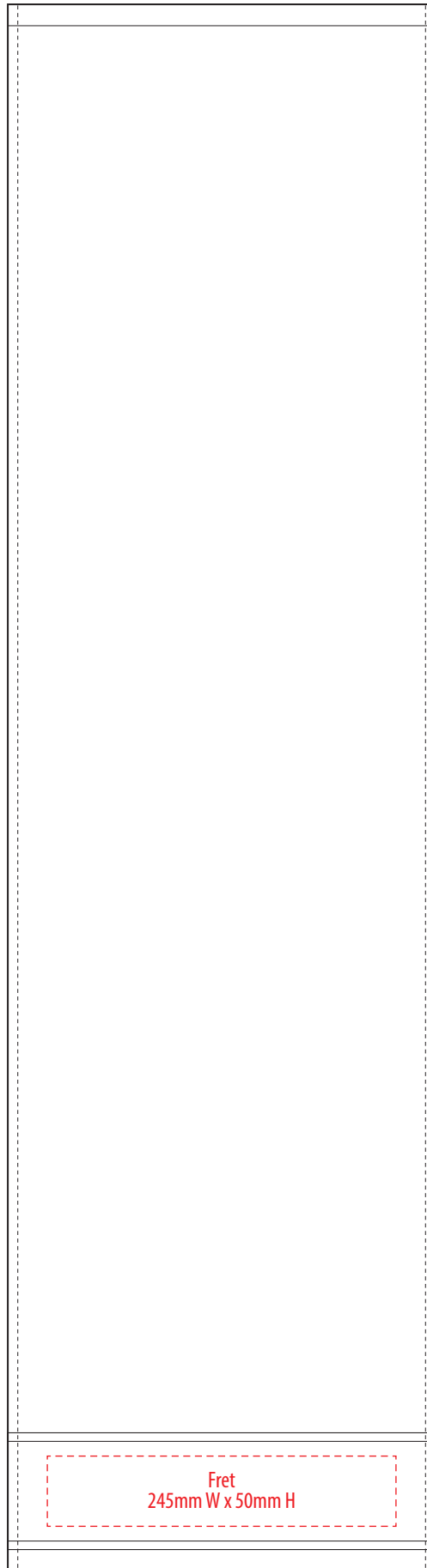


**NOTE:**

The maximum decoration area is a guide only and is greatly dependant on the logo shape.

-----  
SUPASUB

# M115



**NOTE:**





The maximum decoration area is a guide only  
and is greatly dependant on the logo shape.



SUPACOLOUR / SCREENPRINT

# M115

# FABRIC SWATCH

<b>BLACK</b>		BLACK
<b>LIGHT BLACK</b>		PMS Black 6 C
<b>NAVY</b>		PMS 296 C
<b>WHITE</b>		WHITE

Pantone colours are provided as a reference only and are based on closest match. Actual product colour may differ. If a precise colour match is required we recommend ordering a sample.